

TECHNICAL DATA
TECHNISCHE DATEN
DONNEES TECHNIQUES
DATI TECNICHI

MEDIUM: AIR 11/12 FROM RESERVOIR 21/22 TO THE CYLINDERS 3 EXHAUST
MEDIUM: LUFT VORRATSLEITUNG ZYLINDERLEITUNG ENTLUEFTUNG
FLUIDE: AIR DU RESERVOIR AUX CYLINDRES ECHAPPEMENT
FLUIDO: ARIA DEL SERBATOIO AI CILINDRI SCARICO

MAX WORKING PRESSURE
MAX BETRIEBSDRUCK
PRESSION D'UTILISATION MAXI $p_e = 10 \text{ bar}$
PRESSIONE DI ESERCIZIO

NOMINAL DIAMETER MAX
NENNWEITE MAX
DIAMETRE NOMINAL MAX
DIAMETRO NOMINALE MAX

$113 \text{ mm}^2 \approx \phi 12 \text{ mm}$

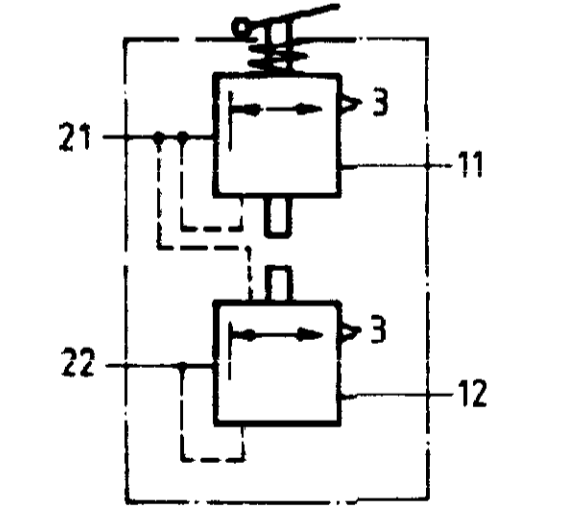
THERMAL RANGE OF APPLICATION
THERMISCHER ANWENDUNGSBEREICH
GAMME D'APPLICATION THERMIQUE
CAMPO DI APPLICAZIONE TERMICA

$-40^\circ\text{C} \text{ } +80^\circ\text{C}$

POSITION OF INSTALLATION
EINBAULAGE
POSITION D'INSTALLATION
POSIZIONE DI MONTAGGIO

BELIEBIG

WIRING DIAGRAM
SCHALTSCHEMA
SCHEMA DE CONNEXIONS
SCHEMA DI COLLEGAMENTO



GENERAL TOLERANCES

RANGE OF NOMINAL DIMENSIONS (mm)	AS	BS	CS	DS	ES
0 - 50	±0.10	±0.15	±0.20	±0.30	±0.40
50 - 100	±0.12	±0.18	±0.25	±0.35	±0.45
100 - 150	±0.15	±0.22	±0.30	±0.40	±0.50
150 - 200	±0.18	±0.25	±0.35	±0.45	±0.55

WABCO

78-05-26
78-05-26
78-05-31

31 347
24 335
19 486

86-01-21
82-06-01
81-05-14
80-04-30

SCALE: 1:1

IDENTIFICATION CODE: 461 491 274 0

DUAL BRAKE VALVE
ROBINET DE FREINAGE DOUBLE
DISTRIBUTORE DI COMANDO DOPPIO
MOTORWAGENBREMSVENTIL, ZWEIKR.

605

Non è permesso copiare o riprodurre questo documento, né utilizzarlo, senza permesso scritto dalla WABCO. Toute réimpression ou utilisation non autorisée sans la permission écrite de la WABCO est formellement interdite. Copring of this document, and giving it to others and the use or communication of the contents in any form or by any means, without the prior written consent of WABCO is prohibited. In the event of the grant of a patent or the registration of an utility model or design, the applicant or the holder thereof shall be liable for damages.