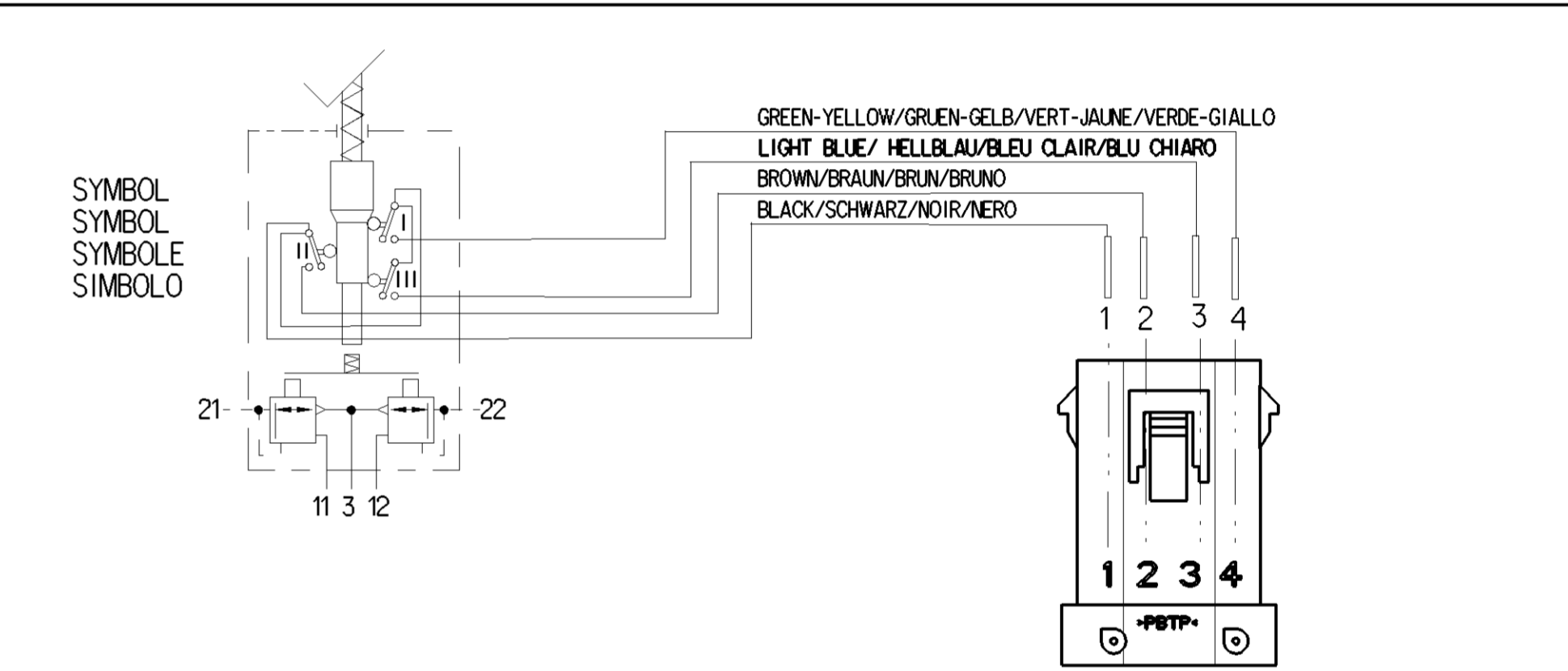
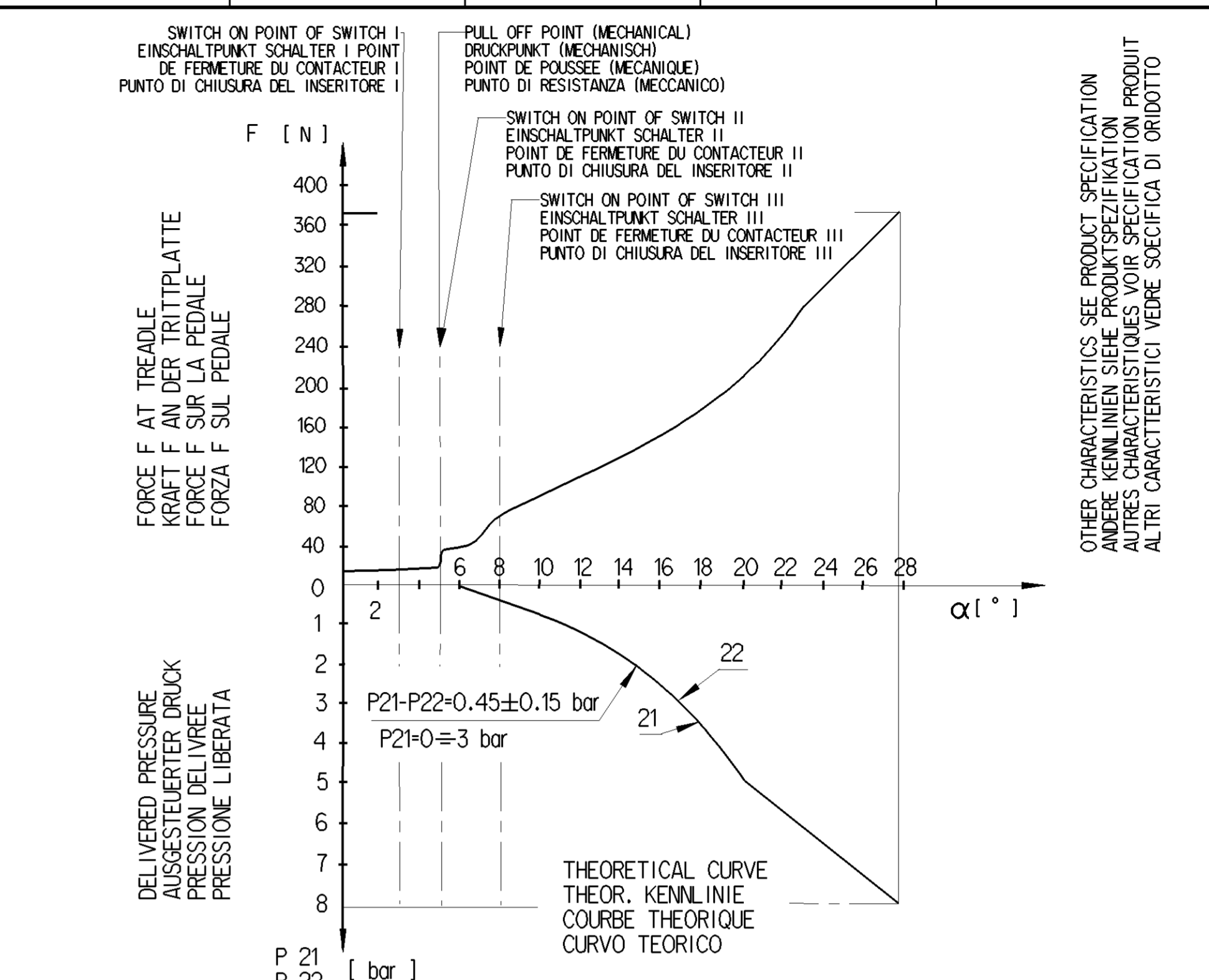
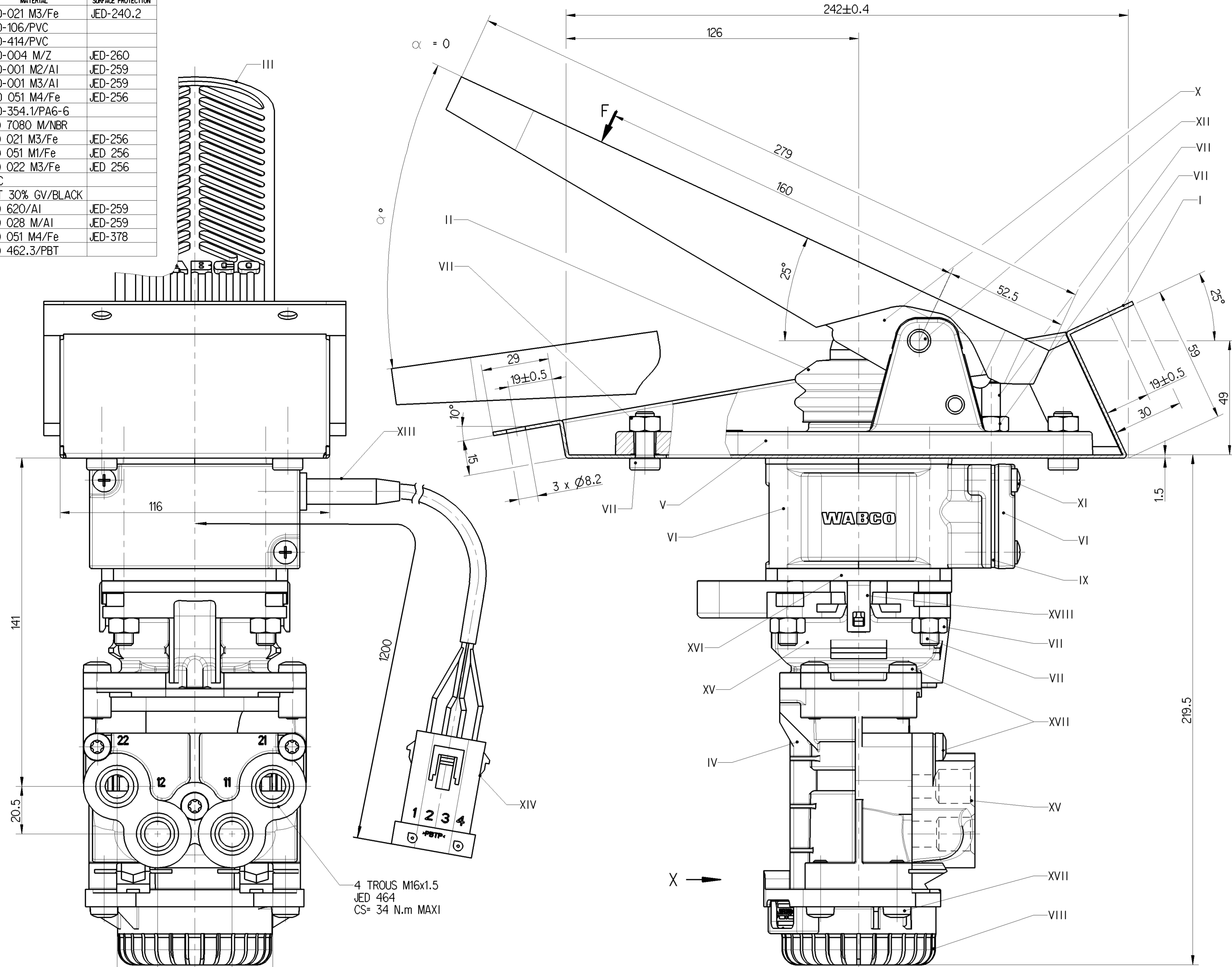


	MATERIAL	SURFACE PROTECTION
I	JED-021 M3/Fe	JED-240.2
II	JED-106/PVC	
III	JED-414/PVC	
IV	JED-004 M/Z	JED-260
V	JED-001 M2/Al	JED-259
VI	JED-001 M3/Al	JED-259
VII	JED 051 M4/Fe	JED-256
VIII	JED-354.1/PA6-6	
IX	JED 7080 M/NBR	
X	JED 021 M3/Fe	JED-256
XI	JED 051 M1/Fe	JED 256
XII	JED 022 M3/Fe	JED 256
XIII	PVC	
XIV	PBT 30% GV/BLACK	
XV	JED 620/Al	JED-259
XVI	JED 028 M/Al	JED-259
XVII	JED 051 M4/Fe	JED-378
XVIII	JED 462.3/PBT	



11	SUPPLY / VORRAT / ALIMENTATION / ALIMENTAZIONE
12	
21	OUTPUT / AUSGANG / SORTIE / USCITA
22	
3	EXHAUST / ENTLUEFTUNG / ECHAPPEMENT / SCARICO 72dB (8 bar)
MEDIUM:	AIR FLUIDE: AIR
MEDIUM:	LUFT FLUIDO: ARIA
WORKING PRESSURE/BETRIEBSDRUCK/PRESSION D'UTILISATION/PRESSIONE DI ESERCIZIO: P11/P12=12.5±0.5 bar -> P21/P22=8 ^{+0.6} bar P11/P12=12 bar -> P21/P22=9.5 bar EXCEPTION/AUSNAHME/EXEPTION/ECCZEZIONE: 17 bar	
THERMAL RANGE/THERM. ANWENDUNGSBEREICH/TEMPERATURE D'UTILISATION/TEMPERATURA DI UTILIZZAZIONE: -40°C...+80°C	
INSTALLATION POSITION: EXHAUST SHOWN AT BASE EINBAULAGE: ENTLUEFTUNG NACH UNTEN POSITION D'INSTALLATION: ECHAPPEMENT VERS LA BAS POSIZIONE DI MONTAGGIO: SCARICO VERSO IL BASS	

Non e permesso copiare o riprodurre questo documento, ne utilizzare i contenuti o i marchi, come tale o in parte, senza permesso scritto dalla WABCO. E' vietato ristampare o utilizzare i contenuti o i marchi, come tale o in parte, senza permesso scritto dalla WABCO. Toute reproduction ou utilisation de son contenu sans autorisation, sans la permission de la WABCO est formellement interdite. Toute utilisation de son contenu ou de ses marques, comme tel ou en partie, sans la permission de la WABCO est formellement interdite.

General Specification: JED-334-1, Size ISO 14405 LP		Copyright WABCO®	
Further Technical Data: 461 494 703 0		Date: 2015-09-03	Signature: RAJASEKARAN
Doc. Code: 035		Sheet: 1 To: 1	
General Tolerances JED-261			
Range of Nominal Dimensions (± mm)			
Class	11	> 50 > 180	> 180 > 400
Fine		± 0.5	± 1.0
Medium		± 1.0	± 2.0
Coarse	X	± 2.0	± 3.5
Tapped Holes acc. JED-464			
1) Tolerance Class Applied Crossmarked			
Mass: 5.28 kg		Scale: 1:1	
Size: A 1		CAD System: CREO	
Material No.: 461 494 703 0		Date of first issue: 2011-08-19	
Doc. Code: 165931		Revision: 7	
Tech. Resp.: D		Langage: ML	
ECON-NO: 165931		Techn. Resp.: 5183	
Revision: 7		Replacement No: 884 612 240 0	
Sheet: 1/1		Sheet: 1/1	

WABCO
 BRAKE VALVE
 MOTORWAGEN-BREMSVENTIL
 ROBINET DE FREINAGE
 DISTRIBUTORE DI COMANDO

26/25°

1/1

100mm