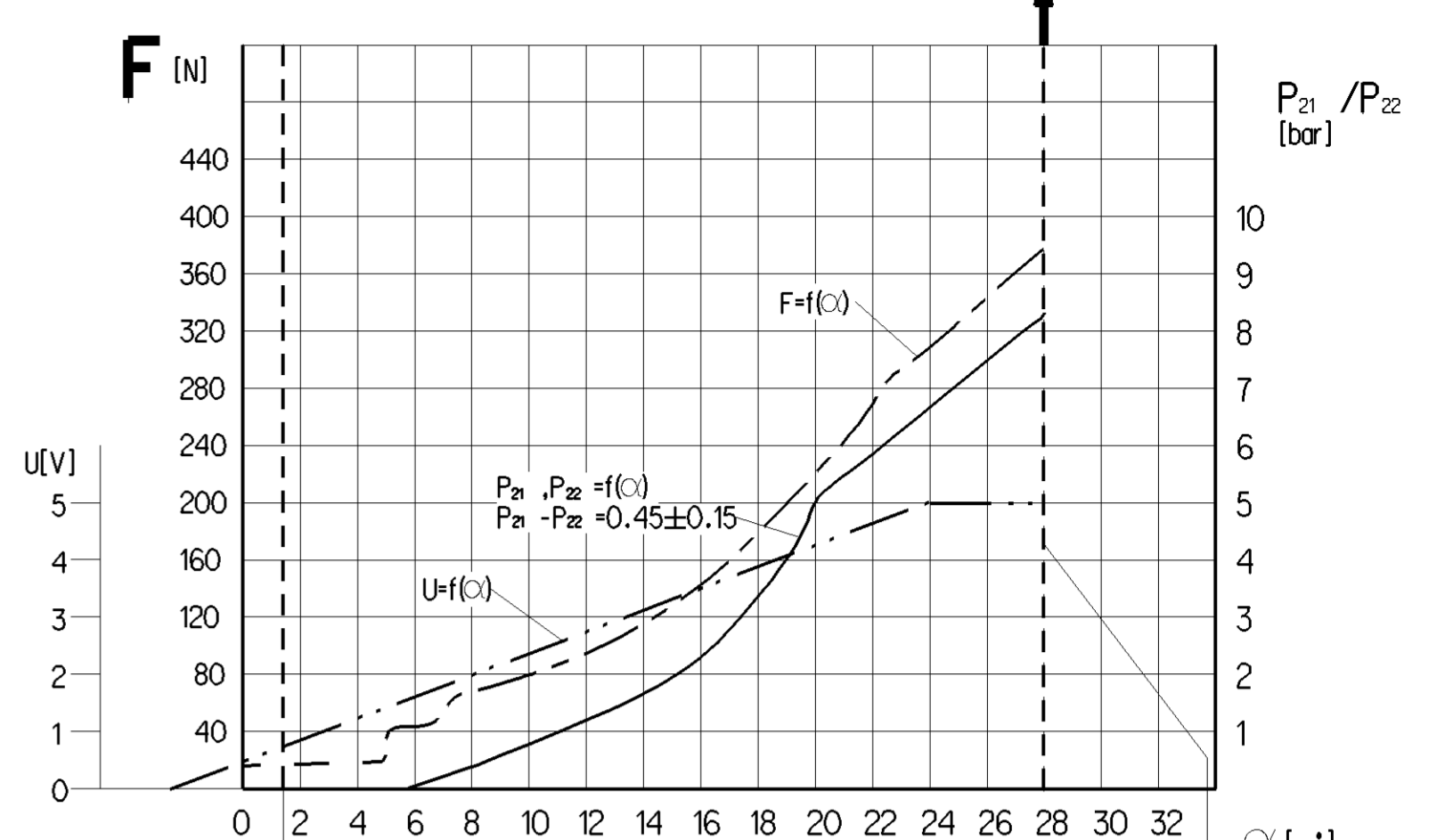


No.	MATERIAL	PROTECTION
I	ST 1303	JED-256-3
II	JED-022M3	JED-256
III	JED-024M	
IV	JED-001M3	JED-259
V	JED-021M3	JED-240-2
VI	JED-054M4	JED-256-1
VII	JED-414-1	
VIII	JED-054M4	JED-256-1
IX	JED-054M4	JED-256-1
X	JED-001M3	JED-259
XI	JED-001M1	JED-259
XII	JED-054M4	JED-256-1
XIII	JED-054M4	JED-378
XIV	JED-620	JED-259
XV	JED-359-1	
XVI	JED-021M1	JED-259
XVII	JED-7080M	
XVIII	JED-051M4	JED-256
XIX	JED-028M	JED-259
XX	JED-462-3	
XXI	JED-029M1	JED-259
XXII	JED-004M	JED-260
XXIII	JED-354-1	



SWITCH ON POINT OF THE SWITCH
EINSCHALTPUNKT SCHALTER
POINT DE FERMETURE DU CONTACTEUR
PUNTO DI CHIUSURA DELL'INSERITORE

NECESSARY TOTAL COURSE
ERFORDERLICHER GESAMTWEG
COURSE TOTALE NECESSAIRE
CORSA TOTALE NECESSARIA

OTHER CHARACTERISTICS SEE PRODUCT SPECIFICATION
ANDERE KENNLINIEN SIEHE PRODUKTSPEZIFIKAZION
AUTRES CARACTERISTIQUES VOIR SPECIFICATION PRODUIT
ALTRI CARATTERISTICI VEDERE SPECIFICAZIONE DI PRODOTTO

SUPPLY VORRAT ALIMENTAZIONE 11,12
OUTLET AUSGANG SORTIE 21,22
EXHAUST ENTLUEFTUNG ECHAPPEMENT SCARICO 3

WORKING PRESSURE:
BETRIEBSDRUCK: p1/p12 = 12.5±0.5 bar → p2/p22 = 8^{±6} bar
PRESSION D'UTILISATION: p1/p12 < 12.5±0.5 bar → p2/p22 ≤ 9.5 bar
PRESSIONE DI ESERCIZIO:

MEDIUM: AIR
MEDIUM: LUFT
FLUIDE: AIR
FLUIDO: ARIA

NOMINAL DIAMETER:
NENNWEITE: 78.5 mm² (∅10 mm)
DIAMETRE NOMINAL:
DIAMETRO NOMINALE:

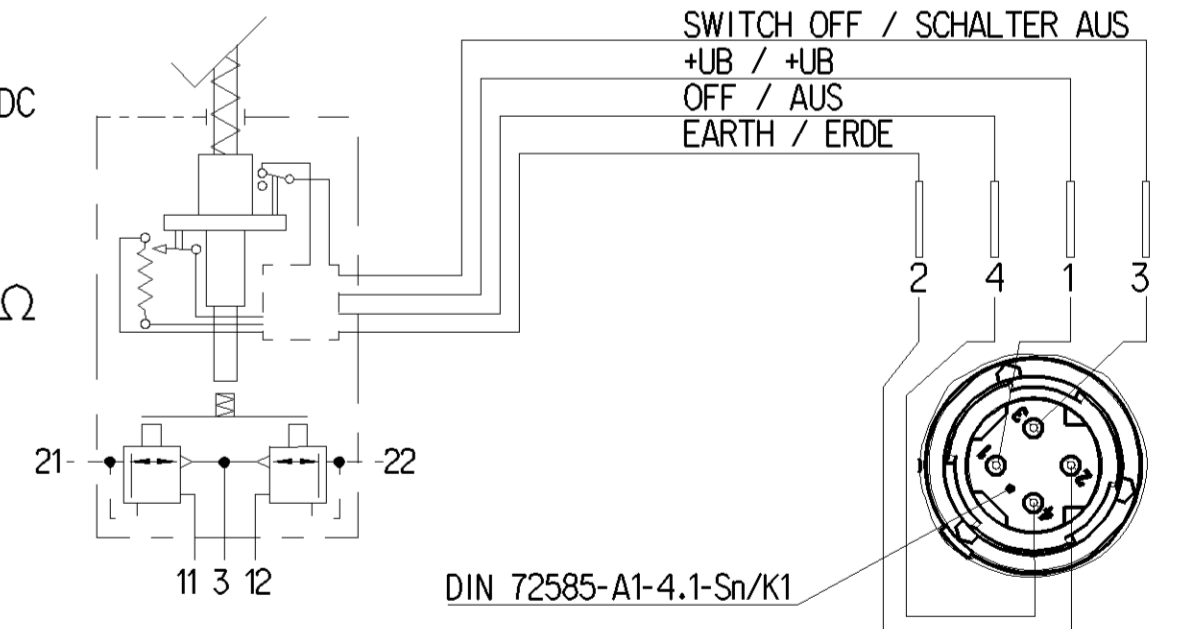
THERMAL RANGE
THERM. ANWENDUNGSBEREICH
TEMPERATURE D'UTILISATION
TEMPERATURA DI UTILIZZAZIONE
-40°C...+80°C

INSTALLATION POSITION: EXHAUST SHOWN AT BASE
(AXIS OF THE DEVICE DEVIATES MAX 45° FROM VERTICAL)
EINBAULAGE: ENTLUEFTUNG NACH UNTEN
(MITTELACHSE DES GERÄTES MAX 45° VON DER SENKRECHTEN ABWEICHEND)
POSITION D'INSTALLATION: ECHAPPEMENT VERS LA BAS
(ECART DE L'AXE MADIAN DE L'APPAREIL PAR RAPPORT A LA VERTICALE 45° MAX)
POSIZIONE DI MONTAGGIO: SCARICO VERSO IL BASS
(DEVIAZIONE ASSE APPARECCHIO RISPETTO ALLA VERTICALE MAX 45°)

OPERATING VOLTAGE : 8...32 V DC
BETRIEBSSPANNUNG : 8...32 V DC
TENSION DE SERVICE :
TENSIONE DI SERVIZIO :

LOAD RESISTANCE : ≥ 5.1 kΩ
LASTWIDERSTAND : ≥ 5.1 kΩ
RESISTANCE DE CHARGE :
RESISTENZA DI CARICO :

ANALOG OUTLET :
AUSGANG ANALOG : 0.5...5 V
SORTIE ANALOGIQUE :
USCITA ANALOGIA :



CURRENT CONSUMPTION
STROMAUFNAHME
CONSUMATION DE COURANT ≤ 20mA
ASSORBIMENTO DI CORRENTE

SWITCH LOAD : I ≤ 400 mA
SCHALTERBELASTUNG : U ≤ 30 V DC
CHARGE DU CONTACTEUR : U x I ≤ 0.12 VA
CARICO DELL'INSERITORE :

TORQUE FOR CONNECTIONS
ANZUGSMOMENT FUER EINSCHRAUBSTUTZEN : M16x1.5 : M-MAX. 34 Nm
COUPLE DE SERRAGE DES RACCORDS
COPPIA DI SERRAGGIO DEI RACCORDI :

General Specification: JED-334-1, Size ISO 14405 LP		Copyright WABCO®	
Further Technical Data: 461 494 707 0	Date: 2015-08-28	Signature: RAJASEKARAN	26/25°
Doc. Code: 035	Sheet: 1	To: 2016-01-18	Adamski
General Tolerances JED-261		Expert: Adamski	
Range of Nominal Dimensions (± mm)			
Class	11	≤ 50	> 180
Fine	X	0.5	1.0
Medium	X	1.0	2.0
Coarse	X	2.0	3.5
		5.0	6.5
		±3°	
Mass	3.91 kg	Scale	1:1
Size	A 1	CAD System	CREO
Tapped Holes acc. JED-152		Material No. 461 494 707 0	
1) Tolerance Class Applied Crossmarked		ECN-No. 165931	Date of first issue: 2007-01-26
		Revision: 4	Doc. Code: 005
		Techn. Resp.: C	Language: ML
		Sheet: 1/1	

Non e' permesso copiare o riprodurre questo documento, ne utilizzare il contenuto o renderlo comunque noto a terzi senza permesso scritto dalla WABCO. E' vietata espressamente la ristampa o l'uso non autorizzato. Toute reproduction ou utilisation non autorisee sans la permission de la WABCO est formellement interdite. All rights reserved. No part of this document may be reproduced or transmitted in any form or by any means electronic or mechanical, including photocopying and recording, or by any information storage or retrieval system, without the prior written permission of WABCO.