

1	2	3	4	5	6	7	8	
A	B	C	D	E	F	G	H	I
M16x1,5	M22x1,5	9	Hex.28	13	~36	34-40 Nm	acc. ISO3583	with O-ring

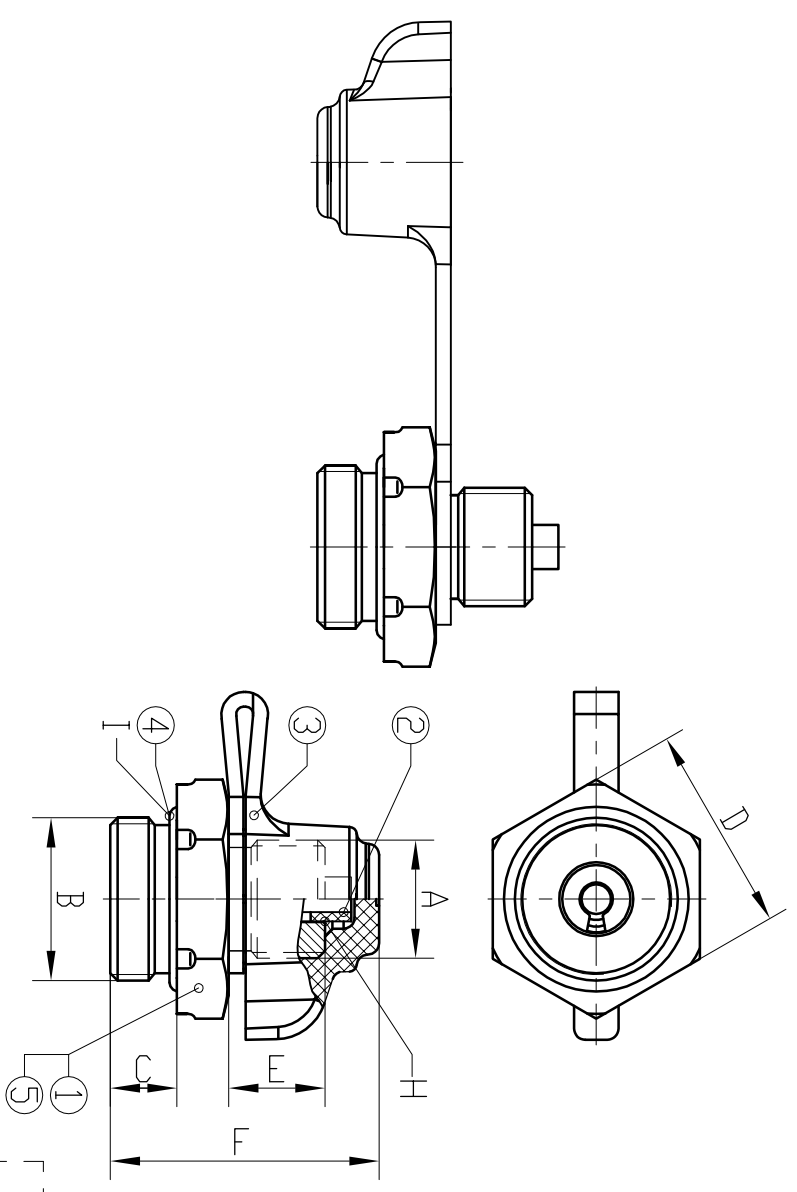
G: recommended torque without lubrication (max. torque) respect max. torque of counter part

Cleanliness requirement:
No particles >1mm allowed according mandatory standard: JED-334 and JED-593

Material :

- ① CuZn
- ② PA6
- ③ TPE
- ④ EPDM
- ⑤ inner components: PDM, EPDM, stainless steel, CuZn

General Specification: JED-762 ; JED-271 ; JED-622 ; JED-220 ; JED-367
Engineering related agreements with Supplier have to be mentioned in the "Release of Supplier"



Working medium:
Air acc. to JED-848
Max. working pressure:
14,5 bar
Nominal working pressure:
10bar
Nominal diameter:
4mm
Thermal range of application:
-40°C ... 93°C
In 120°C without function
Product specification:
463 703 116 0 doc code 035
Part specification:
463 703 116 0 doc code 014
Suitable for use in air brake systems for commercial vehicles

General Specification: JED-334-1, Size ISO 14405 LP		Copyright WABCO®	
Further Technical Data		Date	Signature
Doc. Code:	Sheet:	2014-09-15	Gabla
General Tolerances JED-261		Checked	Kaufmann
Range of Nominal Dimensions (± mm)		Expert	Kaufmann
Class	1)	≤50	> 50
Fine	X	0,5	1,0
Medium		1,0	2,0
Course		2,0	3,5
		3,5	5,0
		5,0	6,5
Tapped Holes acc.		Mass	Scale
		0,073	1:1
		KG	
		Size	CAD System
		A 3	Inventor
		EDN-No.	Revision
		165443	A
		Techn. Resp.	5791
		DocCode	Language
		005	EN
		DocCode	Sheet
		005	1/1
		Date of first issue	1997-05-28
		Replacement for	

WABCO

Test port

Toute Communication ou reproduction de ce document, toute exploitation ou communication de son contenu sont interdites, sauf autorisation expresse. Tout manquement a cette regle constitue un abus evident et expose son auteur au versement de dommages et interets. Tous droits de proprieete industrielle reserves, notamment en matiere de brevets et de modeles.

Non e permesso consegnare a terzi o riprodurre questo documento, ne utilizzarne il contenuto o renderlo comunque noto a terzi senza autorizzazione esplicita. Ogni infrazione costituira un evidente abuso e comportera il risarcimento dei danni subiti. E' fatta riserva di tutti i diritti derivanti da brevetti o modelli.

Weitergabe sowie Vervielfaeltigung dieser Unterlage, Verwertung und Mitteilung ihres Inhalts nicht gestattet, soweit nicht ausdruercklich zugestanden. Zuwiderhandlungen stellen einen offensichtlichen Missbrauch dar und verpflichten zu Schadenersatz. Alle Rechte fuer den Fall der Patenterteilung oder Gebrauchsmuster-Eintragung vorbehalten.

Copying of this document and giving it to others and the use or communication of the contents thereof, are forbidden without express authority. Contravention of this restriction will constitute an evident abuse and result in a liability to the payment of damages. All rights are reserved in the event of the grant of patent or registration of a utility model or design. This document is the subject of copyright.