

* MAJOR THREAD DIAMETER
 GEWINDEAUSSENDURCHMESSER 26^{+0.1}_{-0.6}
 DIAMETRE EXTERIEUR
 DIAMETRO ESTERNO

WORKING PRESSURE MAX
 BETRIEBSDRUCK MAX. 10 bar
 PRESSION D'UTILISATION MAX
 PRESSIONE DI ESERCIZIO MAX

ACTUATING FORCE AT RESERVOIR PRESSURE
 BETAETIGUNGSKRAFT BEI VORRATSDRUCK = 5 bar: MAX. 72 N
 EFFORT DE COMMANDE SOUS PRESSION DE RESERVOIR = 7 bar: MAX. 90 N
 FORZA DI COMANDO PRESSIONE DI SERBATOIO

HOLDING FORCE AT RESERVOIR PRESSURE
 HALTEKRAFT BEI VORRATSDRUCK = 5 bar: MAX. 45 N
 EFFORT DE MAINTIEN SOUS PRESSION DE RESERVOIR = 7 bar: MAX. 48 N
 FORZA DI REGIME PRESSIONE DI SERBATOIO

** COURSE
 BETAETIGUNGSWEG 5.7 ± 0.3 mm
 COURSE
 CORSA

ADMISSIBLE MEDIUM AIR
 ZULAESSIGES MEDIUM LUFT
 FLUIDE ADMISSIBLE AIR
 FLUIDO AMMISSIBILE ARIA

NOMINAL DIAMETER
 NENNWEITE ∅ 4 mm
 DIAMETRE NOMINAL
 DIAMETRO NOMINALE

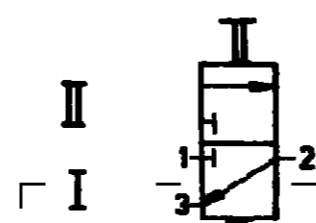
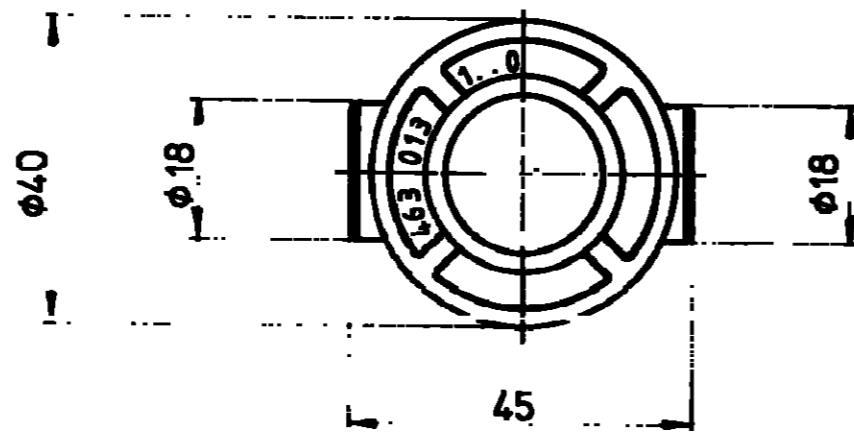
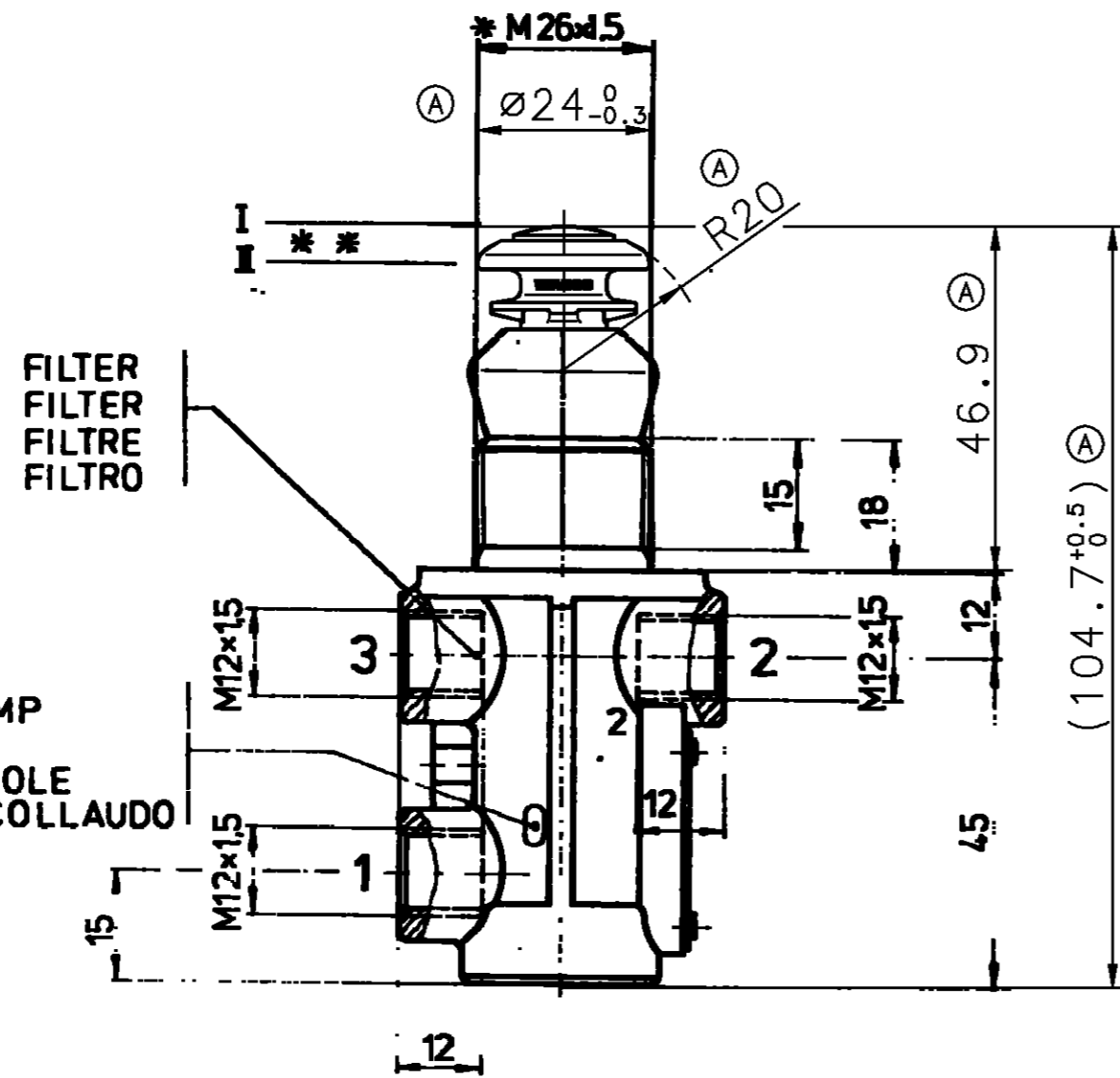
THERMAL RANGE OF APPLICATION
 THERMISCHER ANWENDBEREICH - 40 ... + 80 ° C
 GAMME D'APPLICATION THERMIQUE
 CAMPO DI APPLCAZIONE TERMICA

SUPPLY OF ENERGY
 ENERGIEZUFUSS (VOM VORRAT)
 ALIMENTATION D'ENERGIE
 ALIMENTAZIONE DI ENERGIA

DELIVERY OF ENERGY
 ENERGIEABFLUSS (IN DIE ARBEITSLEITUNG)
 UTILISATION D'ENERGIE
 UTILIZZAZIONE DI ENERGIA

EXHAUST
 ENTLUEFTUNG
 ECHAPPEMENT
 SCARICO

INSPECTION TEST STAMP
 PRUEFSTEMPEL
 MARQUAGE DE CONTROLE
 STAMPIGLIATURA DI COLLAUDO



GENERAL SPECIFICATION: JED-334		CADAM-DRAWING COPYRIGHT		WABCO	
FURTHER TECHNICAL DATA:		DATE	SIGNATURE	3/2 DIRECTIONAL CONTROL VALVE	
DOC. CODE: SHEET: TO		79-12-11	WARENDORF	3/2 WEGE-VENTIL	
GENERAL TOLERANCES		79-12-12	GEIGER	DISTRIBUTEUR 3/2	
RANGE OF NOMINAL DIMENSIONS (± mm)		79-12-11	PANTZER	VALVOLA 3/2	
CLASS 1)	≤50 >50 ≤180 >180 ≤400 >400	STANDARDIZATION:		PRODUCT IDENTIFICATION NO.	
FINE	0,5 1,0 1,5 2,0	MASS	SCALE	463 013 110 0	
MEDIUM	1,0 2,0 3,0 4,0	KG	1:1	DOC. CODE	SHEET
COARSE	2,0 3,5 5,0 6,5	SIZE	T.R.I.	605	1/1
TAPPED HOLES ACC. ISO 4038 / JED-152		066730	4xA	98-05-25	REPLACEMENT FOR
1) TOLERANCE CLASS APPLIED CROSSMARKED		DCN-NO.	REV.	DATE	SHAPE CODE

NON E' PERMESSO CONSERVARE A TERZI O RIPRODURRE QUESTO DOCUMENTO, NE UTILIZZARNE IL CONTENUTO O RENDERSI RESPONSABILI PER QUALSIASI DANNI CAUSATI. TUTTI I DIRITTI RISERVATI DA BREVETTI O MODELLI. E' FATTA RISERVA DI TUTTI I DIRITTI DERIVANTI DA BREVETTI O MODELLI. TO OTHERS AND THE USE OF COMMUNICATION OF THE CONTENTS THEREOF, WITHOUT THE WRITTEN PERMISSION OF THE PATENT OFFICE. ALL RIGHTS ARE RESERVED IN THE EVENT OF THE GRANT OF PATENT OR REGISTRATION OF A UTILITY MODEL OR DESIGN. THIS DOCUMENT IS THE SUBJECT OF COPYRIGHT.

1009/012/204-83
 605/603