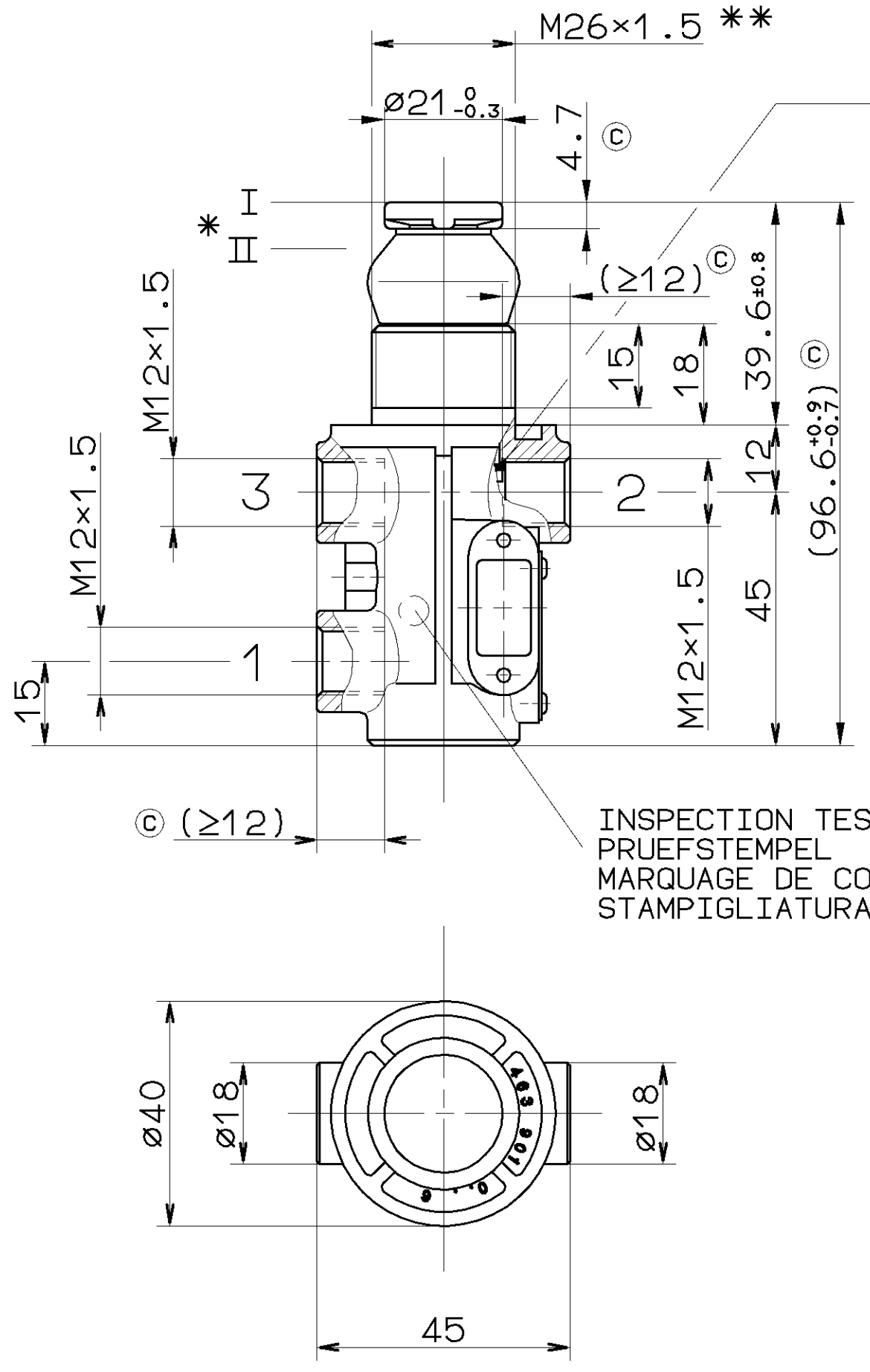
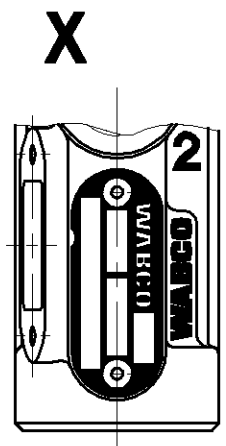
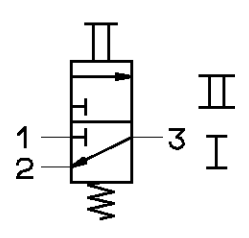


NON E' PERMESSO CONSERVARE A TERZI O RIPRODURRE QUESTO DOCUMENTO. NE UTILIZZARE IL CONTENUTO O RES-  
 AINSI E CONSERVARE A TERZI O RIPRODURRE QUESTO DOCUMENTO. NE UTILIZZARE IL CONTENUTO O RES-  
 BREVETTI O MODELLI. E' FATTA RISERVA SU TUTTI I DIRITTI RISERVATI DA  
 COPIING OF THIS DOCUMENT AND GIVING IT TO OTHERS AND THE USE OF COMMUNICATION OF THE CONTENTS THEREOF.  
 ABUSE AND RESULT IN A LIABILITY TO THE PAYMENT OF DAMAGES. ALL RIGHTS ARE RESERVED IN THE EVENT OF THE  
 GRANT OF PATENT OR REGISTRATION OF A UTILITY MODEL OR DESIGN. THIS DOCUMENT IS THE SUBJECT OF COPYRIGHT.  
 TOUTE REPRODUCTION OU REPRODUCTION DE CE DOCUMENT, TOUTE EXPLOITATION OU COMMUNICATION DE SON CONTE-  
 NUT ET ENCORE SAN' AUBUN AU VERSANT DE DOMAGES ET INTERETS A TOUTS DROITS DE PROPRIETE  
 INDUSTRIELLE RESERVEES. NOTAMMENT EN MATIERE DE BREVETS ET DE MODELES.  
 WEITERGABE SOWIE VERWERTUNG ODER NACHNACHWEISE, VERBREITUNG UND MITTEILUNG DES INHALTS NICHT  
 MISSBRÄUCH DAR LÄND VERPFLICHTEN ZU SCHÄDENERSATZ. ALLE RECHTE FÜR DEN FALL DER PATENTSTELLUNG ODER  
 GEBRAUCHSMUSTER-EINTRAGUNG VORBEHALTEN.



FILTER  
 FILTER  
 FILTRE  
 FILTRO

INSPECTION TEST STAMP  
 PRUEFSTEMPEL  
 MARQUAGE DE CONTROLE  
 STAMPIGLIATURA DI COLLAUDO



- 1 SUPPLY OF ENERGY FROM THE RESERVOIR  
 ENERGIEZUFLUSS VOM VORRAT  
 CHARGE D'ENERGIE DU RESERVOIR  
 ALIMENTAZIONE DI ENERGIA DAL SERBATOIO
- 3 DELIVERY  
 ENERGIEABFLUSS IN DIE ARBEITSLEITUNG  
 UTILISATION  
 MANDATA
- 2 TO ATMOSPHERE (EXHAUST)  
 ANSCHLUSS ATMOSPHAERE (ENTLUEFTUNG)  
 A L'ATMOSPHAERE (ECHAPPEMENT)  
 ALL'ATMOSFERA (SCARICO)

THERMAL RANGE OF APPLICATION :  
 THERMISCHER ANWENDUNGSBEREICH : -40° C ... +80° C  
 GAMME D'APPLICATION THERMIQUE :  
 CAMPO DI APPLICAZIONE TERMICA :

NOMINAL DIAMETER :  
 NENNWEITE : Ø4 mm  
 DIAMETRE NOMINAL :  
 DIAMETRO NOMINALE :

MAX. PERMISSIBLE WORKING PRESSURE :  
 MAX. ZULAESSIGER BETRIEBSDRUCK :  
 PRESSION D'UTILIZATION MAXI ADMISSIBLE : p<sub>e</sub> = 10 bar  
 PRESSIONE DI ESERCIZIO MAX. AMMISSIBLE :

OPERATING FORCE AT RESERVOIR PRESSURE :  
 BETAETIGUNGSKRAFT BEI VORRATSDRUCK : = 5 bar:MAX.80 N  
 EFFORT DE COMMANDE SOUS PRESSION DE RESERVOIR : = 7 bar:MAX.94 N  
 FORZA DI COMANDO PRESSIONE DI SERBATOIO :

HOLDING FORCE AT RESERVOIR PRESSURE :  
 HALTEKRAFT BEI VORRATSDRUCK : = 5 bar:MAX.46 N  
 EFFORT DE MAINTIEN SOUS PRESSION DE RESERVOIR : = 7 bar:MAX.50 N  
 FORZA DI REGIME PRESSIONE DI SERBATOIO :

WORKING MEDIUM : AIR  
 ARBEITSMEDIUM : LUFT  
 FLUIDE D'UTILISATION : AIR  
 FLUIDO DI ESERCIZIO : ARIA

COURSE :  
 \* BETAETIGUNGSWEG : 7.5±0.3 mm  
 COURSE :  
 CORSA :

MAJOR THREAD DIAMETER : 26±0.1  
 \* \* GEWINDEAUSSENDURCHMESSER :  
 DIAMETRE EXTERIEUR :  
 DIAMETRO ESTERNO :

AUXILIARY DIMENSION :  
 HILFSSMASS :  
 DIMENSION AUXILIAIRE :  
 DIMENSIONE AUSILIARIA :

GENERAL SPECIFICATION: JED-334		CADAM-DRAWING COPYRIGHT		<b>WABCO</b>	
FURTHER TECHNICAL DATA:		DATE: 95-06-16		SIGNATURE: STEINFELD	
DOC. CODE: SHEET: TO:		DRAWN: 95-06-16		CHECKED: DIEKMEYER	
GENERAL TOLERANCES		STANDARDIZATION: THIELE		PRODUCT IDENTIFICATION NO. 463 013 111 0	
CLASS 1)	RANGE OF NOMINAL DIMENSIONS ( ± mm )				± 3°
	≤50	≤180	≤400	>400	
	FINE	0,5	1,0	1,5	
MEDIUM	1,0	2,0	3,0	4,0	
COARSE	2,0	3,5	5,0	6,5	
TAPPED HOLES ACC. ISO 4039 / JED-182		057032	5×C	95-06-16	
1) TOLERANCE CLASS APPLIED CROSSMARKED		DCN-NO.	REV.	DATE	
		SCALE: 1:1		REPLACEMENT FOR 463 013 111 0 OF 77-09-05 (C)	
		SIZE: A 2		SHAPE CODE	
		MASS: 0.23 KG		DOC. CODE: 605	
		T.R.I.		SHEET: 1/1	
		EXPERT CODE: 7 2 8		PRODUCT TYPE: 0 0 X	