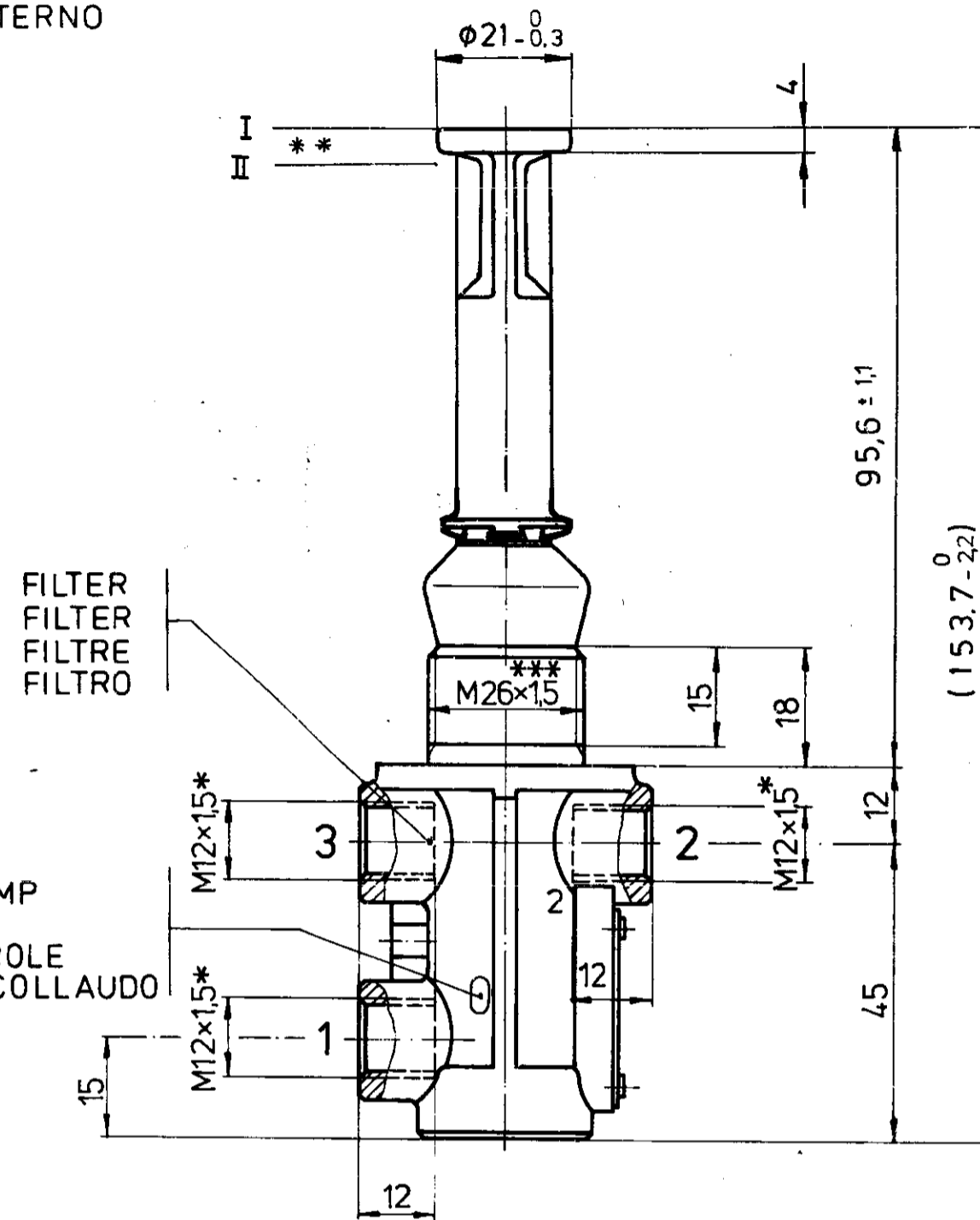
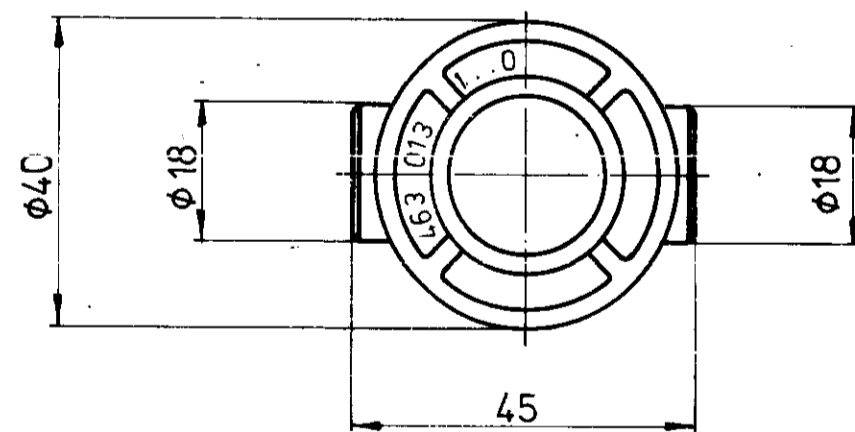


*** MAJOR THREAD DIAMETER
 GEWINDEAUSSENDURCHMESSER 26 $\begin{smallmatrix} -0.1 \\ -0.6 \end{smallmatrix}$
 DIAMETRE EXTERIEUR
 DIAMETRO ESTERNO



INSPECTION TEST STAMP
 PRUEFSTEMPEL
 MARQUAGE DE CONTROLE
 STAMPIGLIATURA DI COLLAUDO



ⓑ * CORE HOLE DIAMETRE ACC. TO JED-152
 KERNLOCHDURCHMESSER NACH JED-152
 DIAMETRE DE TROU NOYAUTE SUIVANT JED-152
 DIAMETRO DEL AVANFORO SECONDO JED-152

WORKING PRESSURE MAX.
 BETRIEBSDRUCK MAX. 10 bar
 PRESSION D'UTILISATION MAX.
 PRESSIONE DI ESERCIZIO MAX.

ACTUATING FORCE AT RESERVOIR PRESSURE = 5 bar: MAX. 72 N
 BETAETIGUNGSKRAFT BEI VORRATSDRUCK
 EFFORT DE COMMANDE SOUS PRESSION DE RESERVOIR = 7 bar: MAX. 90 N
 FORZA DI COMANDO PRESSIONE DI SERBATOIO

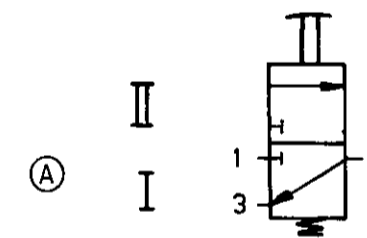
HOLDING FORCE AT RESERVOIR PRESSURE = 5 bar: MAX. 45 N
 HALTEKRAFT BEI VORRATSDRUCK
 EFFORT DE MAINTIEN SOUS PRESSION DE RESERVOIR = 7 bar: MAX. 48 N
 FORZA DI REGIME PRESSIONE DI SERBATOIO

** COURSE = 5.7 ± 0.05 mm
 BETAETIGUNGSWEG
 COURSE
 CORSA

ADMISSIBLE MEDIUM AIR
 ZULAESSIGES MEDIUM LUFT
 FLUIDE ADMISSIBLE AIR
 FLUIDO AMMISSIBILE ARIA

NOMINAL DIAMETER ϕ 4 mm
 NENNWEITE
 DIAMETRE NOMINAL
 DIAMETRO NOMINALE

THERMAL RANGE OF APPLICATION - 40 ... + 80 ° C
 THERMISCHER ANWENDUNGSBEREICH
 GAMME D'APPLICATION THERMIQUE
 CAMPO DI APPLCAZIONE TERMICA



SUPPLY OF ENERGY
 1 ENERGIEZUFLUSS (VOM VORRAT)
 ALIMENTATION D'ENERGIE
 ALIMENTAZIONE DI ENERGIA
 DELIVERY OF ENERGY
 2 ENERGIEABFLUSS (IN DIE ARBEITSLEITUNG)
 UTILISATION D'ENERGIE
 UTILIZZAZIONE DI ENERGIA
 EXHAUST
 3 ENTLUEFTUNG
 ECHAPPEMENT
 SCARICO

| | | | | | |
|--------------------------------------|----------|--------------|---|----------------|---------------------|
| J H G F E D C B | DATE | SIGNATURE | WABCO 3/2 DIRECTIONAL CONTROL VAL DISTRIBUTEUR 3/2 VALVOLA 3/2 3/2 WEGE-VENTIL | | |
| | 77-09-08 | <i>K. K.</i> | | | |
| | 77-09-08 | <i>G. G.</i> | | | |
| | 77-09-08 | <i>F. F.</i> | | | |
| 29730 | 1 | 83-12-08 | MASS | SCALE | IDENTIFICATION CODE |
| 22630 | 2 | 79-07-20 | 11 | 11 | 463 013 114 0 |
| 884 002 559 0 | A 2 | 140 | CODE FOR FUNCTION | CODE FOR SHAPE | CODE FOR DOCUMENT |
| | | | | | 605 |