

\* MAJOR THREAD DIAMETER  
 GEWINDEAUSSENDURCHMESSER 26  $\begin{smallmatrix} -0.01 \\ +0.06 \end{smallmatrix}$   
 DIAMETRE EXTERIEUR  
 DIAMETRO ESTERNO

WORKING PRESSURE MAX.  
 BETRIEBSDRUCK MAX. 10 bar  
 PRESSION D'UTILISATION MAX.  
 PRESSIONE DI ESERCIZIO MAX.

ACTUATING FORCE AT RESERVOIR PRESSURE = 5 bar : MAX. 76 N  
 BETAETIGUNGSKRAFT BEI VORRATSDRUCK = 7 bar : MAX. 90 N  
 EFFORT DE COMMANDE SOUS PRESSION DE RESERVOIR  
 FORZA DI COMANDO PRESSIONE DI SERBATOIO

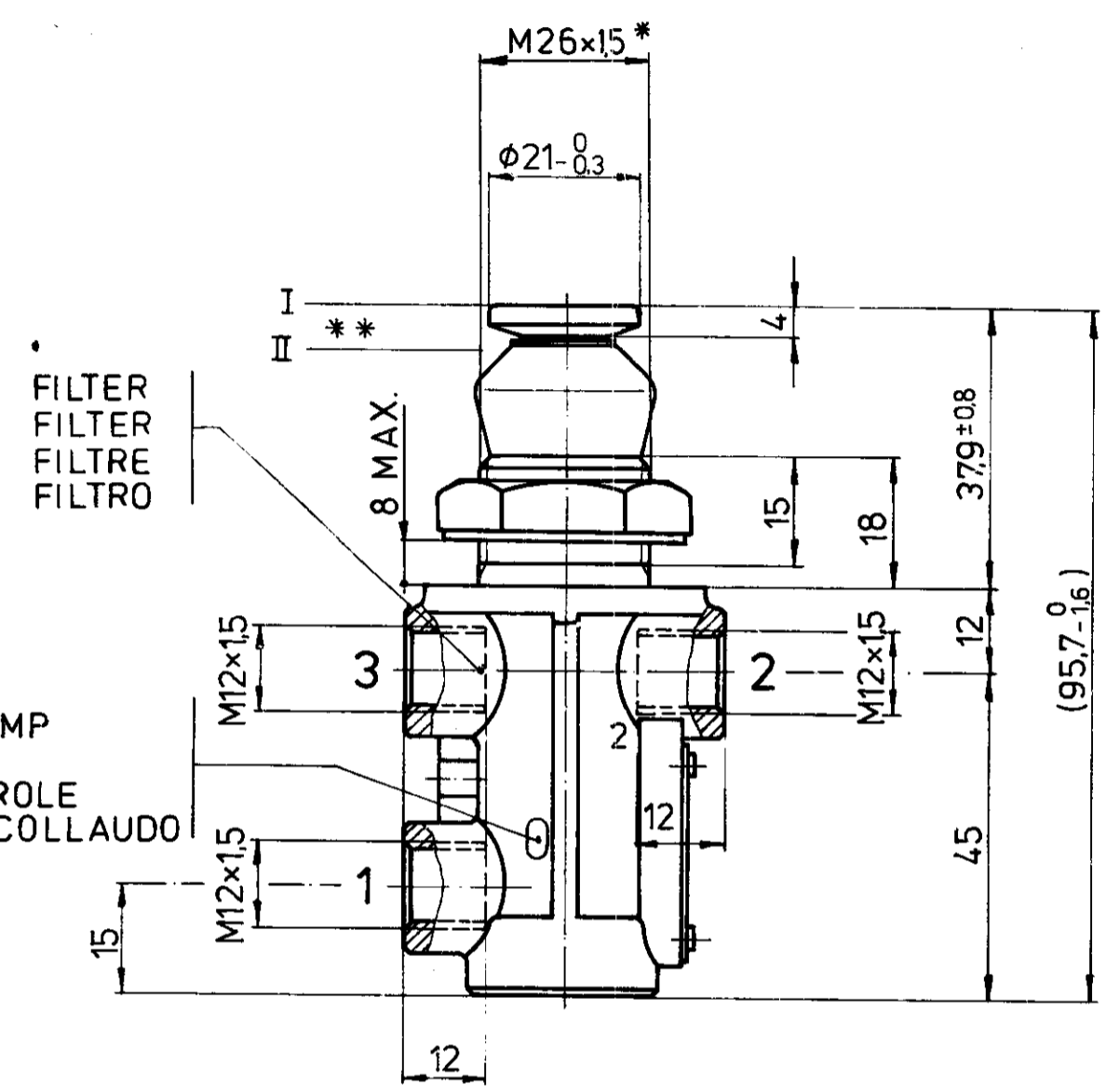
HOLDING FORCE AT RESERVOIR PRESSURE = 5 bar : MAX. 60 N  
 HALTEKRAFT BEI VORRATSDRUCK = 7 bar : MAX. 65 N  
 EFFORT DE MAINTIEN SOUS PRESSION DE RESERVOIR  
 FORZA DI REGIME PRESSIONE DI SERBATOIO

\*\* COURSE = 5.7 ± 0.3 mm  
 BETAETIGUNGSWEG  
 COURSE  
 CORSA

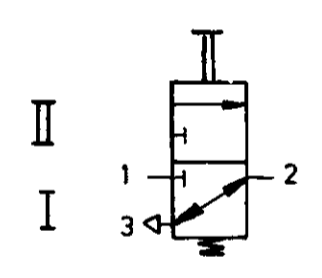
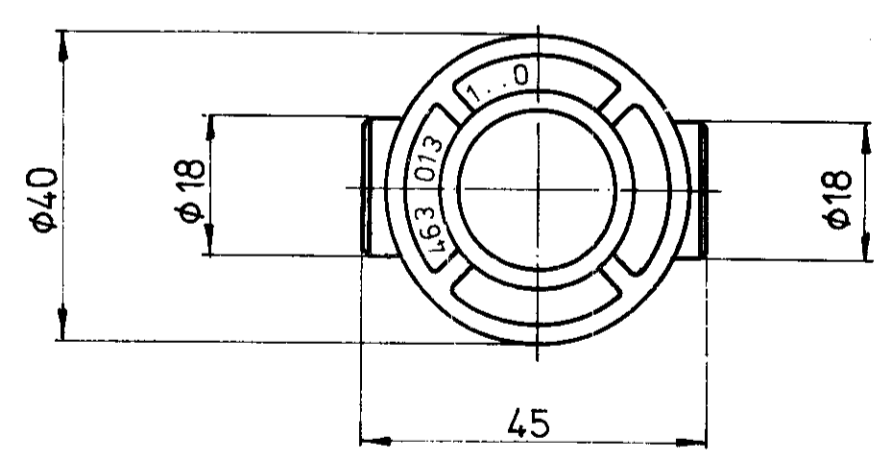
ADMISSIBLE MEDIUM AIR  
 ZULAESSIGES MEDIUM LUFT  
 FLUIDE ADMISSIBLE AIR  
 FLUIDO AMMISSIBILE ARIA

NOMINAL DIAMETER  $\phi$  4 mm  
 NENNWEITE  
 DIAMETRE NOMINAL  
 DIAMETRO NOMINALE

THERMAL RANGE OF APPLICATION - 40 ... + 80 ° C  
 THERMISCHER ANWENDUNGSBEREICH  
 GAMME D'APPLICATION THERMIQUE  
 CAMPO DI APPLCAZIONE TERMICA



INSPECTION TEST STAMP  
 PRUEFSTEMPEL  
 MARQUAGE DE CONTROLE  
 STAMPIGLIATURA DI COLLAUDO



1 SUPPLY OF ENERGY  
 ENERGIEZUFLUSS (VOM VORRAT)  
 ALIMENTATION D'ENERGIE  
 ALIMENTAZIONE DI ENERGIA  
 2 DELIVERY OF ENERGY  
 ENERGIEABFLUSS (IN DIE ARBEITSLEITUNG)  
 UTILISATION D'ENERGIE  
 UTILIZZAZIONE DI ENERGIA  
 3 EXHAUST OR DELIVERY OF ENERGY  
 ENTLEEFUNG OR ENERGIEABFLUSS (IN DIE ARBEITSLEITUNG)  
 SCARICO O UTILIZZAZIONE DI ENERGIA

COPYRIGHT BY WABCO WESTINGHOUSE GMBH HANNOVER

DATE		SIGNATURE		WABCO WESTINGHOUSE	
77-09-09		DRAWN <i>Kluch</i>		3/2 DIRECTIONAL CONTROL VAL	
77-09-09		CHECKED <i>G. Geiger</i>		DISTRIBUTEUR 3/2	
77-09-09		STANDARDIZATION <i>Pan.</i>		VALVOLA 3/2	
77-09-09				3/2 WEGE-VENTIL	
22085	1x	A	79-04-24	13	11
884 002 745 0		A2	140	16	140
REPLACEMENT FOR				IDENTIFICATION CODE	
				463 013 124 0	
REPLACEMENT FOR		SIZE		CODE FOR FUNCTION	
		A2		CODE FOR SHAPE	
				CODE FOR DOCUMENT	
				605	

100 mm