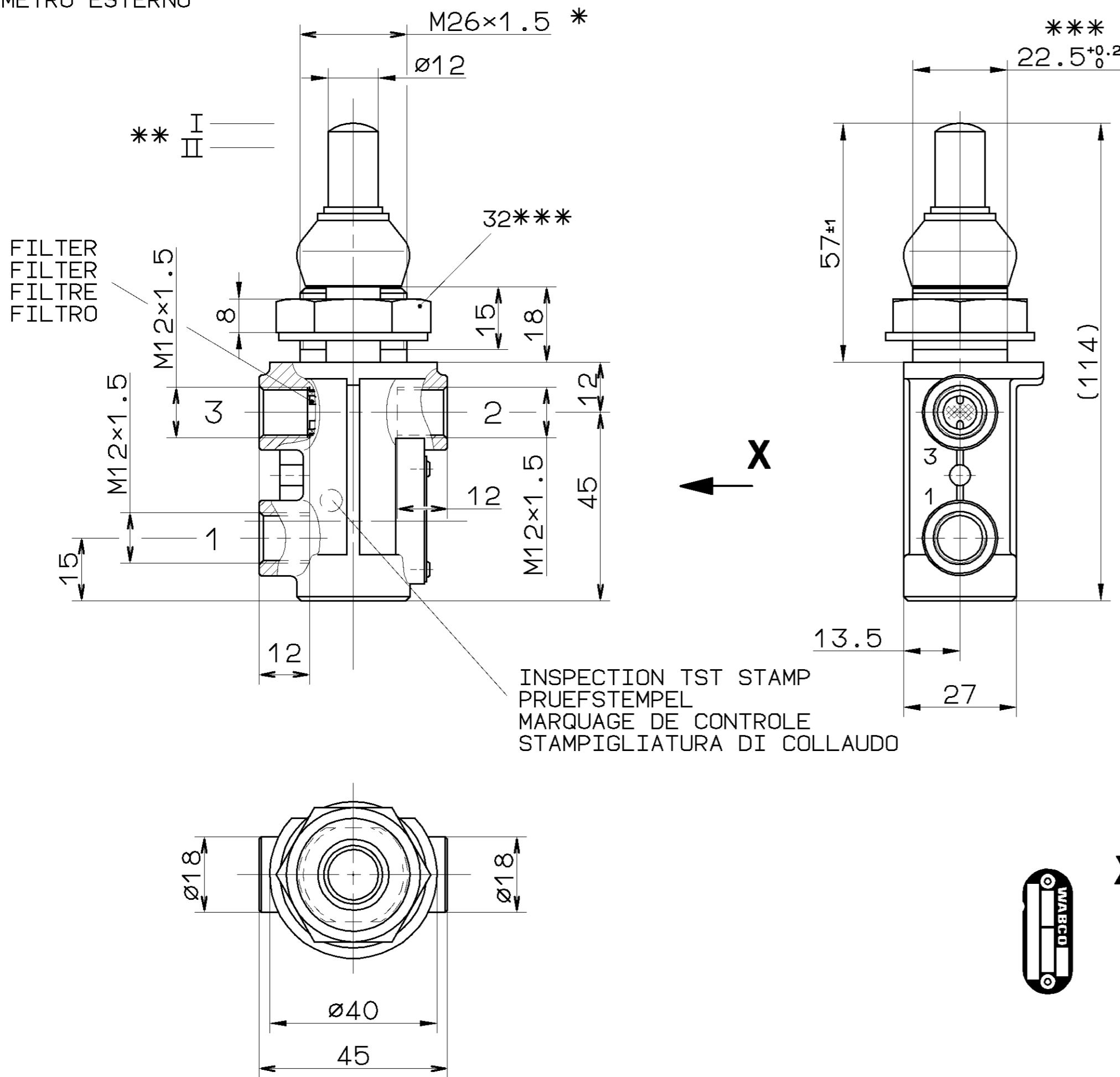


* MAJOR THREAD DIAMETER
GEWINDEAUSSENDURCHMESSER 26:±1
DIAMETRE EXTERNEUR
DIAMETRO ESTERNO



INSPECTION TST STAMP
PRUEFSTEMPEL
MARQUAGE DE CONTROLE
STAMPIGLIATURA DI COLLAUDO

THERMAL RANGE OF APPLICATION :
THERMISCHER ANWENDUNGSBEREICH : -40°C ... +80°C
GAMME D'APPLICATION THERMIQUE :
CAMPO DI APPLICAZIONE TERMICA :

NOMINAL DIAMETER :
NENNWEITE :
DIAMETRE NOMINAL : ø4mm
DIAMETRO NOMINALE :

MAX. PERMISSIBLE WORKING PRESSURE :
MAX. ZULAESSIGER BETRIEBSDRUCK :
PRESSION D'UTILIZATION MAXI ADMISSIBLE : p_e = 10 bar
PRESSIONE DI ESERCIZIO MAX. AMMISSIBLE :

OPERATING FORCE AT RESERVOIR PRESSURE :
BETAETIGUNGSKRAFT BEI VORRATSDRUCK : = 5 bar:MAX.80 N
EFFORT DE COMMANDE SOUS PRESSION DE RESERVOIR : = 7 bar:MAX.94 N
FORZA DI COMANDO PRESSIONE DI SERBATOIO :

HOLDING FORCE AT RESERVOIR PRESSURE :
HALTEKRAFT BEI VORRATSDRUCK : = 5 bar:MAX.46 N
EFFORT DE MAINTIEN SOUS PRESSION DE RESERVOIR : = 7 bar:MAX.50 N
FORZA DI REGIME PRESSIONE DI SERBATOIO :

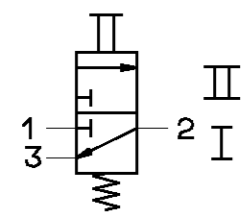
WORKING MEDIUM : AIR (CONTAINING WATER AND OIL)
ARBEITSMEDIUM : LUFT (WASSER- UND OELHALTIG)
FLUIDE D'UTILISATION : AIR (HUMIDE ET POUSSIEREUX)
FLUIDO DI ESERCIZIO : ARIA (ACQUA E OLIO INQUINATO)

** COURSE :
BETAETIGUNGSWEG : 8±0.3 mm
COURSE :
CORSA :

*** WIDTH ACROSS FLATS :
SCHLUESSELWEITE :
SURPLATS :
LARGHEZZA IN CHIAVE :

PERMISSIBLE OVER LOAD : (AXIAL 300N RADIAL)
MAX. ZULAESSIGE UEBERLAST : 2000N (AXIAL 300N RADIAL)
SURCHARGE ADMISE : (AXIAL RADIALE)
SOVRACCARICO AMMESSO : (ASSIALE RADIALE)

- 1 SUPPLY OF ENERGY FROM THE RESERVOIR
ENERGIEZUFLUSS VOM VORRAT
CHARGE D'ENERGIE DU RESERVOIR
ALIMENTAZIONE DI ENERGIA DAL SERBATOIO
- 2 DELIVERY
ENERGIEABFLUSS IN DIE ARBEITSLEITUNG
UTILISATION
MANDATA
- 3 TO ATMOSPHERE (EXHAUST)
ANSCHLUSS ATMOSPHAERE (ENTLUEFTUNG)
A L'ATMOSPHAERE (ECHAPPEMENT)
ALL'ATMOSFERA (SCARICO)



GENERAL SPECIFICATION: JED-334		CADAM-DRAWING COPYRIGHT		WABCO	
FURTHER TECHNICAL DATA:		DATE: _____ SIGNATURE: _____		DRAWN: MAURER	
DOC. CODE: _____ SHEET: _____ TO: _____		94-06-30		CHECKED: DIEKMAYER	
GENERAL TOLERANCES		94-06-30		STANDARDIZATION: THIELE	
CLASS 1)	RANGE OF NOMINAL DIMENSIONS (± mm)				± 3°
	≤50	>50 ≤180	>180 ≤400	>400	
FINE	0,5	1,0	1,5	2,0	± 3°
MEDIUM	1,0	2,0	3,0	4,0	
COARSE	2,0	3,5	5,0	6,5	
TAPPED HOLES ACC. ISO 4039 / JED-182		DCN-NO. _____ REV. _____ DATE _____		MASS: 0,3 kg SCALE: 1:1	
1) TOLERANCE CLASS APPLIED CROSSMARKED		DATE: _____		PRODUCT IDENTIFICATION NO. 463 013 127 0	
		DATE: _____		DOC. CODE: 605 SHEET: 1/1	
		DATE: _____		REPLACEMENT FOR: _____	

EXPERT CODE 728

PRODUCT TYPE 000

NON E' PERMESSO CONSERVARE A TERZI O RIPRODURRE QUESTO DOCUMENTO. NE UTILIZZARE IL CONTENUTO O RES-
 ARSIO E CONSERVARE IL RESERVOIR DEL MANUALE. E' FATTA RISERVA SU TUTTI I DIRITTI RISERVATI DA
 BREVEVOLI O MODELLI.
 COPIING OF THIS DOCUMENT AND GIVING IT TO OTHERS AND THE USE OF COMMUNICATION OF THE CONTENTS THEREOF,
 ABUSE AND RESULT IN A LIABILITY TO THE PAYMENT OF DAMAGES. ALL RIGHTS ARE RESERVED IN THE EVENT OF THE
 GRANT OF PATENT OR REGISTRATION OF A UTILITY MODEL OR DESIGN. THIS DOCUMENT IS THE SUBJECT OF COPYRIGHT.