

Tous droits de propriété industrielle réservés. Riservati tutti i diritti in caso di concessione di brevetti o di registrazione di un modello di utilità. All rights are reserved in the event of the grant of a patent or the registration of a utility model or design. Alle Rechte für den Fall der Patenterteilung oder Gebrauchsmuster-Eintragung vorbehalten.

COPYRIGHT BY WABCO WESTINGHOUSE GMBH HANNOVER

TORQUE
ANZUGSMOMENT MAX. 40 Nm ^(J)
COUPLE DE SERRAGE
COPPIA DI SERRAGGIO

9,5 f8 -0,013
-0,035

TECHNICAL DATA, TECHNISCHE DATEN
DONNEES TECHNIQUES, DATI TECNICHI.

NOMINAL DIAMETER
NENNWEITE 4 mm
DIAMETRE NOMINAL
DIAMETRE NOMINALE

WORKING PRESSURE
BETRIEBSDRUCK MAX. 10 bar
PRESSION D'UTILISATION
PRESSIONE DI ESERCIZIO

THERMAL RANGE OF APPLICATION
THERM. ANWENDUNGSBEREICH -40 ÷ +100°C
GAMME D'APPLICATION THERMIQUE
CAMPO DI APPLICAZIONE TERMICA

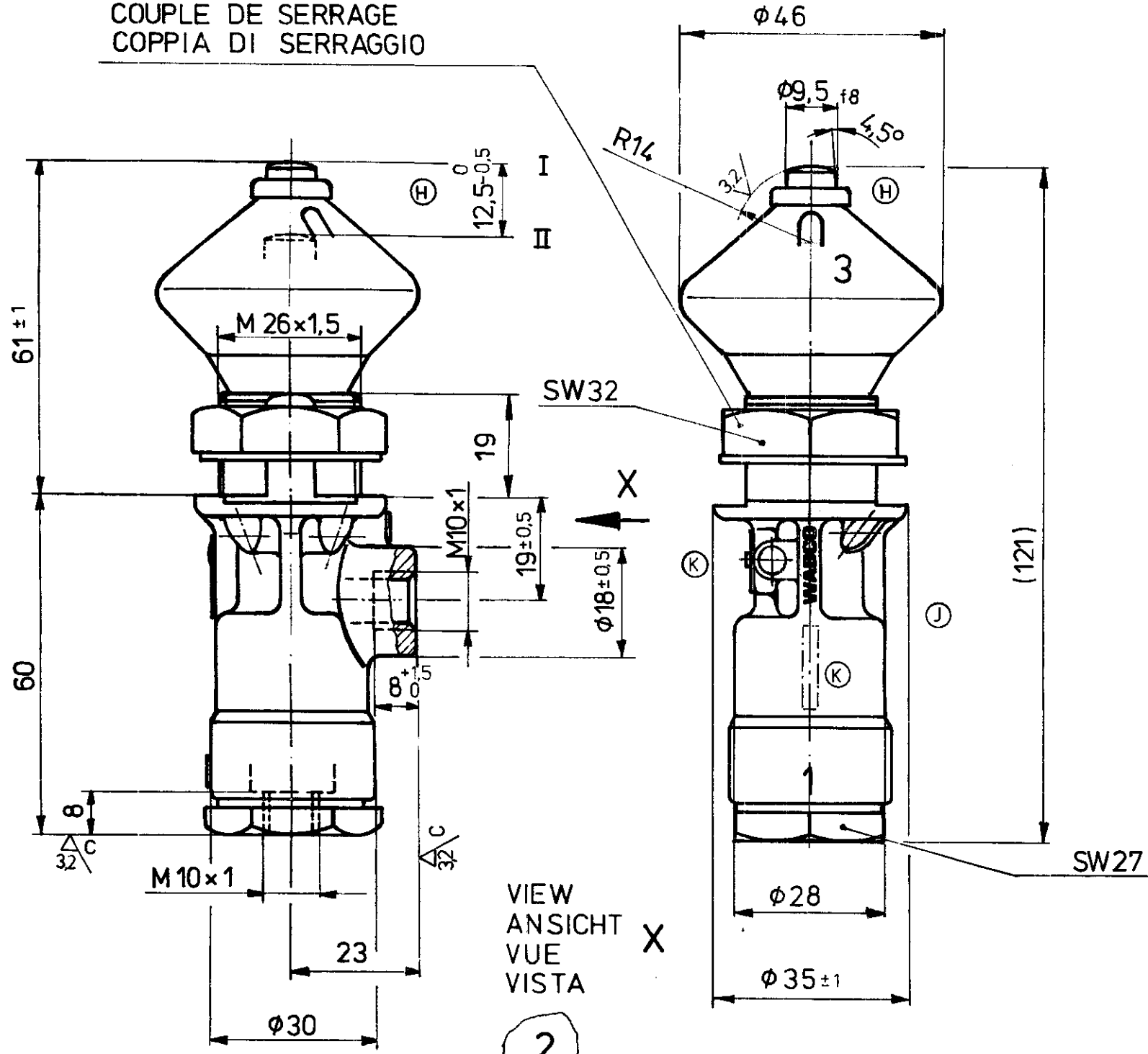
OPERATING FORCE AT 7bar
BETAETIGUNGSKRAFT BEI 7 bar MAX. 150 N ^(K)
EFFORT DE COMMANDE A 7 bar
FORZA DI COMANDO PER 7 bar

MEDIUM
MEDIUM AIR
FLUIDE LUFT
FLUIDO AIR
ARIA

STROKE LIMIT EXTERNALLY
HUBBEGRENZUNG EXTERN
LIMITE DE COURSE EXTERNE
LIMITAZIONE DI CORSA ESTERNO

STROKE
HUB 12,5⁰-0,5 mm
COURSE
CORSA

DIMENSIONS WITHOUT TOLERANCES
MASSE OHNE TOLERANZANGABE ± 1,5 mm
DIMENSIONS NON TOLERANCEES
DIMENSIONI NON TOLLERATE

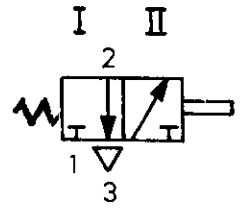


VIEW
ANSICHT
VUE
VISTA
2

- 1 SUPPLY, ENERGIEZUFLOSS VOM VORRAT
ALIMENTATION, ALIMENTAZIONE
- 2 DELIVERY, ENERGIEABFLUSS IN DIE ARBEITSLEITUNG
UTILISATION, MANDATA
- 3 EXHAUST, ENTLUEFTUNG, ECHAPPEMENT, SCARICO

POSITION OF INSTALLATION
EINBAULAGE
^(K) POSITION D'INSTALLATION
POSIZIONE DI MONTAGGIO

OPTIONAL
BELIEBIG
AU CHOIX
A PIACERE



24268	1	(K)	81-03-16	DATE	SIGNATURE	WABCO WESTINGHOUSE
18714	2	(J)	78-02-16	76-03-09	<i>[Signature]</i>	
14784	(H)	76-06-29	76-03-09	CHECKED	<i>[Signature]</i>	
	(G)	76-03-26	76-03-09	STANDARDIZATION	<i>[Signature]</i>	
	(F)	76-03-22				3/2 DIRECTIONAL CONTROL VALVE DISTRIBUTEUR 3/2 VALVOLA 3/2 3/2 WEGEVENTIL
	(E)	76-3-9				
	(D)					
	(C)					
	(B)					
	(A)					
				20	22	IDENTIFICATION CODE
				0,2	1:1	463 022 020 0
				REPLACEMENT FOR	SIZE	T R I
				ORIG. 463 022 020 0	A 3	140
				V. 75-06-13		
						605

100 mm.