

() ≙ AUXILIARY DIMENSION
HILFSSMASS
DIMENSION AUXILIAIRE
DIMENSIONE AUSILIARIA

INSTALLATION POSITION : OPTIONAL
EINBAULAGE : BELIEBIG
POSITION D'INSTALLATION : QUELCONQUE
POSIZIONE DI MONTAGGIO : A SCELTA

WORKING PRESSURE :
BETRIEBSDRUCK :
PRESSIONE DE SERVICE : $p_e = 10 \text{ bar}$
PRESSIONE DELL'ESERCIZIO :

TORQUE : * MAX. 25 Nm
ANZUGSMOMENT : ** MAX. 34 Nm
COUPLE DE SERRAGE : *** MAX. 10 Nm
COPPIA DI SERRAGGIO :

WORKING MEDIUM : AIR (WATER-, OIL AND ALCOHOL CONTAINING)
ARBEITSMEDIUM : LUFT (WASSER-, OEL UND ALKOHOLHALTIG)
FLUIDE D'UTILISATION : AIR (CHARGE D'EAU, D'HUILE ET D'ALCOOL)
FLUIDO DI ESERCIZIO : ARIA (ACQUOSO, OLEIFERO E ALCOOLOSO)

WORKING ENVIRONMENT : AIR (WATER- AND SALT CONTAINING)
UMGEBUNGSMEDIUM : LUFT (WASSER- UND SALZHALTIG)
FLUIDE AMBIANTE : AIR (CHARGE D'EAU DE SEL)
FLUIDO AMBIENTE : ARIA (ACQUOSO E SALIFERO)

THERMAL RANGE OF APPLICATION :
THERM. ANWENDUNGSBEREICH :
GAMME D'APPLICATION THERMIQUE : $-40^\circ \dots +80^\circ \text{C}$
CAMPO DI APPLICAZIONE TERMICA :

MIN. FLOW PASSAGE /NOMINAL DIAMETER :
MIN. DURCHFLUSSOEFFNUNG /NENNWEITE :
MIN. ORIFICE CALIBRE /DIAMETRE NOMINAL :
MIN. PASSAGGIO LIBERO /DIAMETRO NOMINALE :

PORTS 21,23 :
ANSCHLUESSE 21,23 : MIN. 12.6 mm² ($\hat{=}\hat{\phi}4\text{mm}$)
ORIFICES 21,23 :
ORIFIZI 21,23 :

PORTS 22,24 :
ANSCHLUESSE 22,24 : MIN. 28.3 mm² ($\hat{=}\hat{\phi}6\text{mm}$)
ORIFICES 22,24 :
ORIFIZI 22,24 :

PORTS 1,3 :
ANSCHLUESSE 1,3 : MIN. 63.6 mm² ($\hat{=}\hat{\phi}9\text{mm}$)
ORIFICES 1,3 :
ORIFIZI 1,3 :

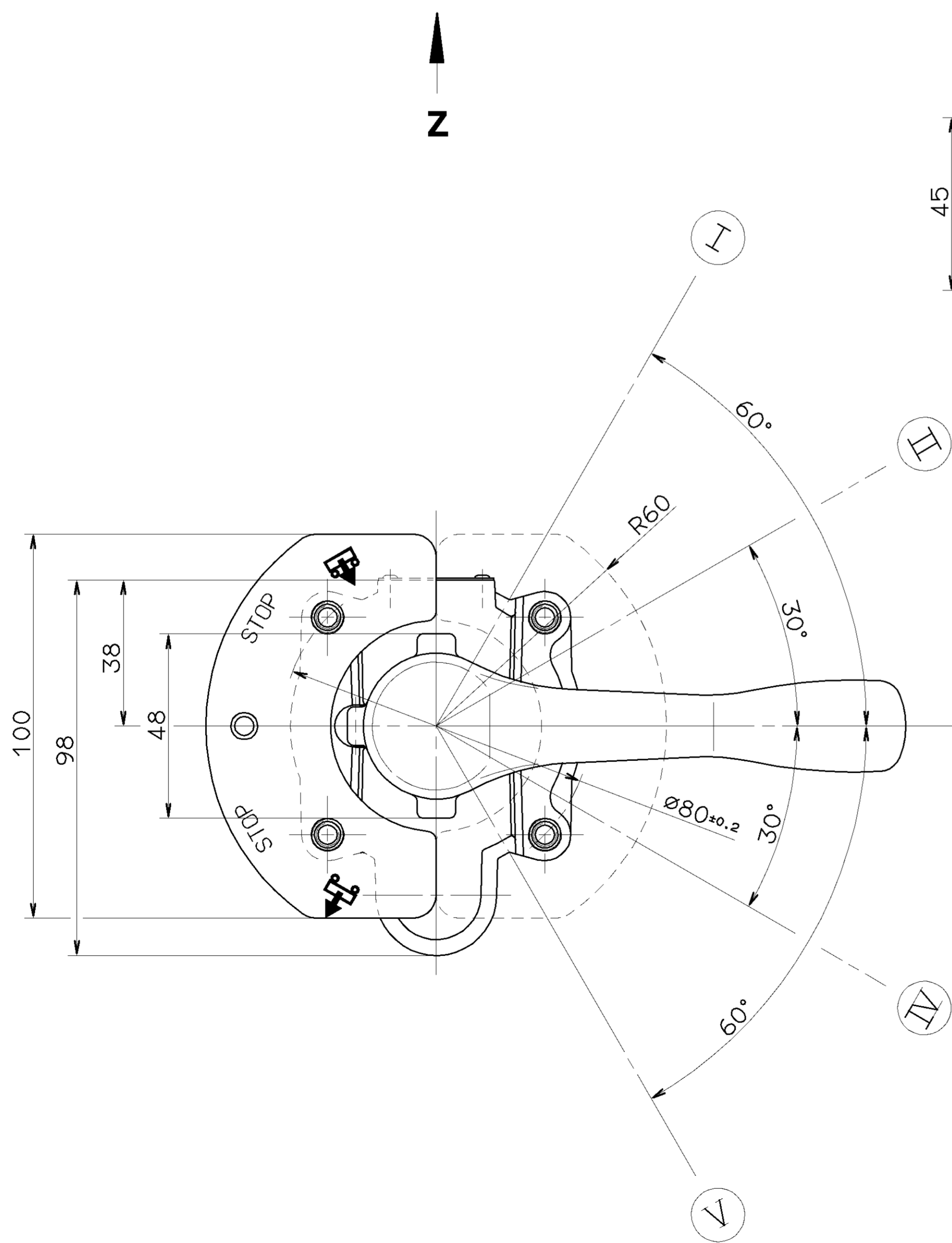
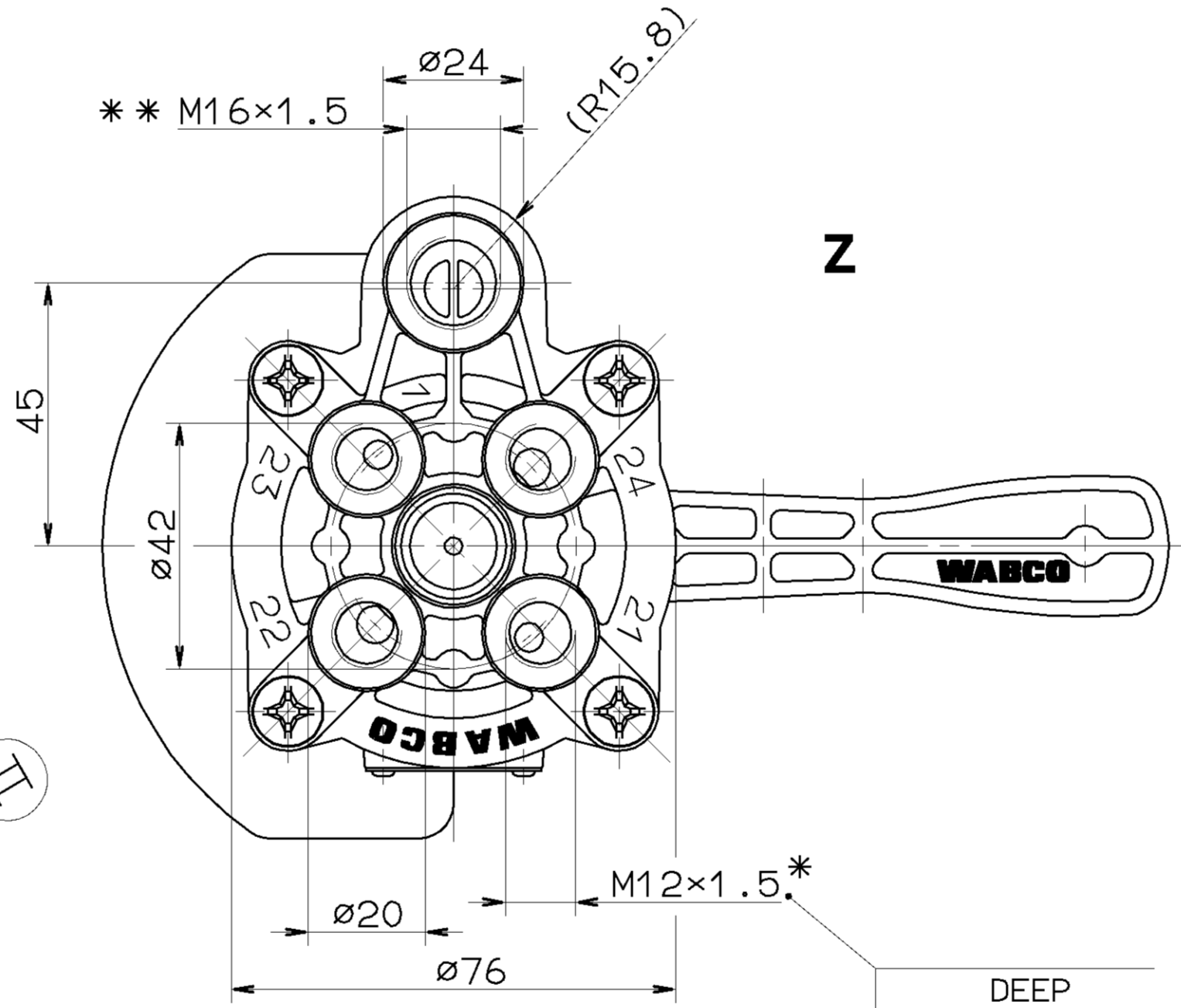
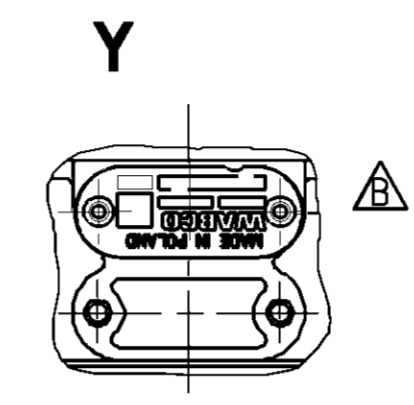
OPERATING TORQUE :
DREHMOMENT ZUR BETÄTIGUNG :
COUPLE DE COMMANDE : MAX. 7 Nm
COPPIA DI COMANDO :

1 SUPPLY
ENERGIEZUFUSS
ALIMENTATION
ALIMENTAZIONE

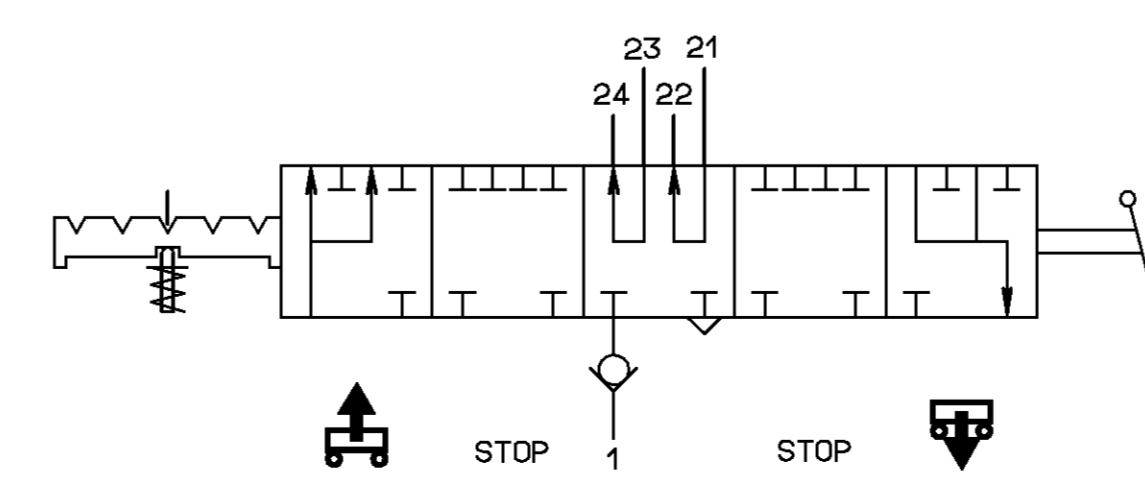
22,24 DELIVERY (TO AIR SUSPENSION BELLOW)
ENERGIEABFLUSS IN DIE ARBEITSLAUFUNG (ZUM LUFTFEDERBALG)
UTILISATION (A COUSSIN DE SUSPENSION PNEUMATIQUE)
MANDATA (PER SOFFIETTU A SOSPENSIONE PNEUMATICA)

3 EXHAUST
ENTLUEFTUNG
ECHAPPEMENT
SCARICO

21,23 CONTROL LINE (TO LEVELLING VALVE)
STEUERLEITUNG (ZUM LUFTFEDERVENTIL)
LIGNE DE COMMANDE (A VALVE DE NIVELLEMENT)
LINEA DI COMANDO (PER VALVOLA NIVELLATRICE)



DRIVING POSITION
FAHRTSTELLUNG
POSITION MARCHÉ
POSIZIONE DI MARCIA



General Specifications: ISO 8015, JED-334-1, Size ISO 1H405 LP		Copyright WABCO®	
Further Technical Data:		Date	Signature
Doc. Code:	Sheet: To	2023-04-20	Balog
General Tolerances JED-261		Checked	Szyska
Range of nominal dimensions in mm		Dimensions in mm	
Class	1) ± 0.5 ± 1 ± 1.5 ± 2	Mass	Scale
Fine	± 0.5 ± 1 ± 1.5 ± 2	1.15	1:1
Medium	± 1 ± 2 ± 3 ± 4 ± 5	kg	463 032 020 0
Coarse	± 2 ± 3.5 ± 5 ± 6.5	Size	CAD System
Tapped Holes acc. JED-152		Material No.	Date of first issue: 1991-01-31
1) Tolerance Class Applied Crossmarked		Doc. Code	Language
		005	ML
		Revision	Techn. Resp.
		3 x B	5811
		Replacement for	894 007 733 0

Non e' permesso copiare o riprodurre questo documento, ne utilizzare il contenuto o renderlo comunque noto a terzi senza permesso scritto dalla WABCO. E' vietata espressamente la ristampa o l'uso di qualsiasi parte di questo documento. Toute reproduction ou communication de son contenu sans l'aval de la WABCO est formellement interdite. Toute utilisation non autorisee de ce document est formellement interdite. All rights reserved. No part of this document may be reproduced or transmitted in any form or by any means electronic or mechanical, including photocopying and recording, or by any information storage or retrieval system, without prior written permission from WABCO.