

SURFACE GRAINED  
 OBERFLAECHE GENARBT  
 SURFACE GRAINEE  
 SUPERFICIE GRANULATA  
 COLOUR MIDDLE GREY  
 FARBE MITTELGRAU  
 COULEUR GRIS MOYEN  
 COLORE GRIGIO MEDIO  
 OPACITY  
 GLANZGRAD  
 OPACITE  
 OPACITA

MT 1055  
 IC 190  
 5±1 GLOSS 60°

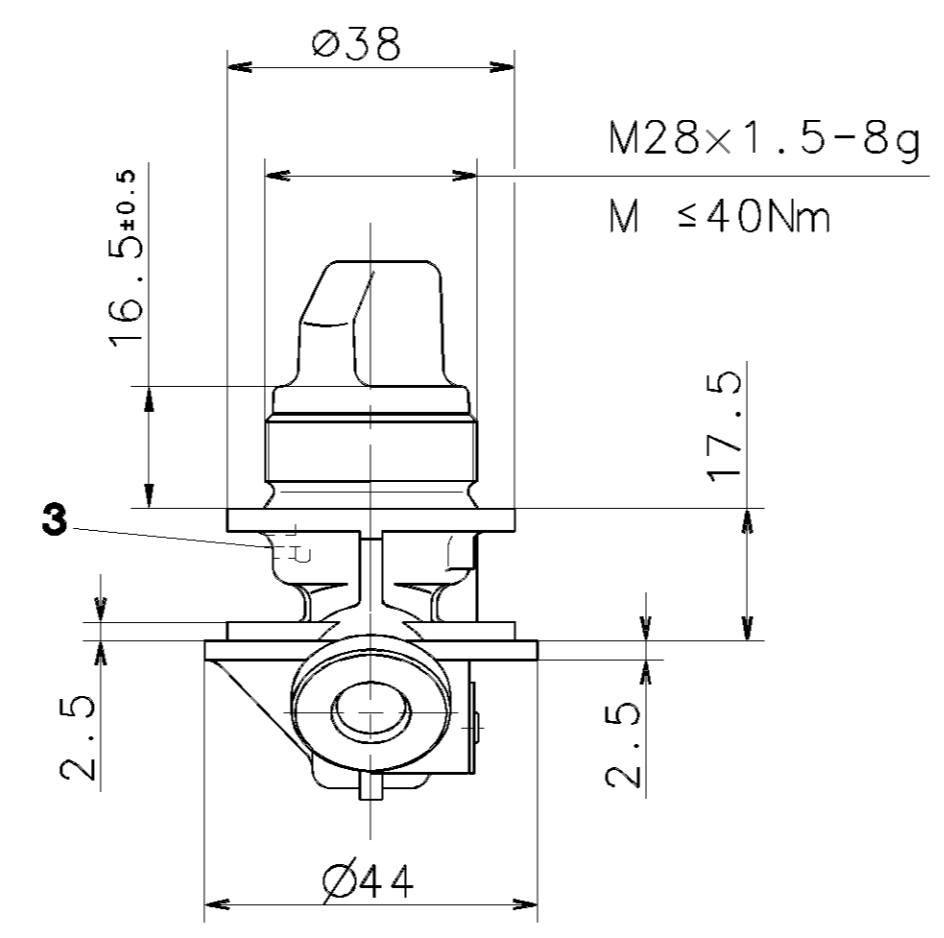
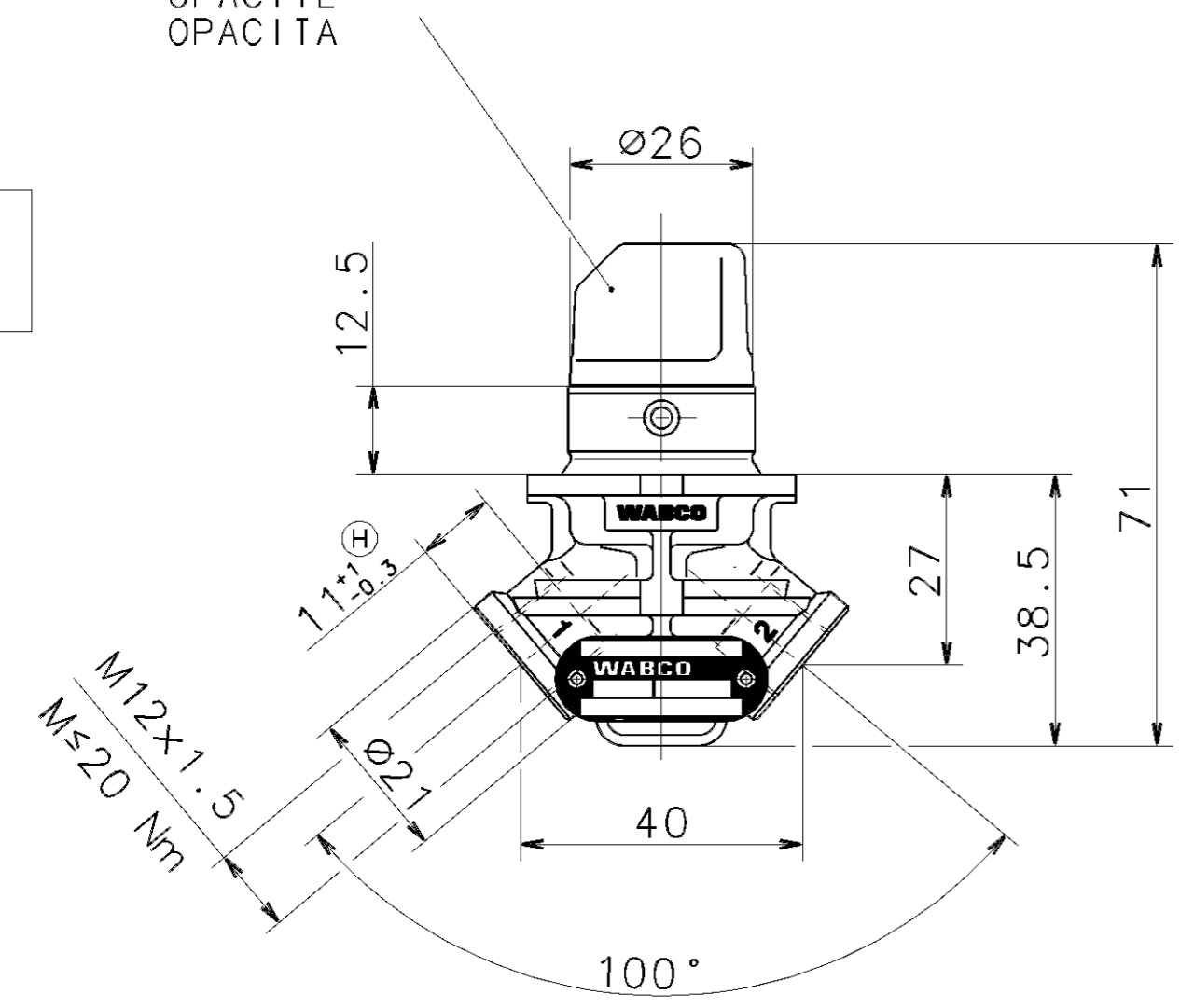
THERMAL RANGE OF APPLICATION  
 THERMISCHER ANWENDUNGSBEREICH  
 GAMME D'APPLICATION THERMIQUE  
 CAMPO DI APPLICAZIONE TERMICA  
 : -40°C ... +80°C

NOMINAL DIAMETER  
 NENNWEITE  
 DIAMETRE NOMINAL  
 DIAMETRO NOMINALE  
 : min. 12.6 mm<sup>2</sup> (±0.4mm)

MAX. PERMISSIBLE WORKING PRESSURE  
 MAX. ZULAESSIGER BETRIEBSDRUCK  
 PRESSION D'UTILIZATION MAXI ADMISSIBLE  
 PRESSIONE DI ESERCIZIO MAX. AMMISSIBILE  
 : p<sub>e</sub> = 11 bar

OPERATING TORQUE  
 DREHMOMENT ZUR BETAETIGUNG  
 COUPLE DE COMMANDE  
 COPPIA DI COMANDO  
 : 0.8 Nm

MEDIUM : AIR  
 MEDIUM : LUFT  
 FLUIDE : AIR  
 FLUIDO : ARIA



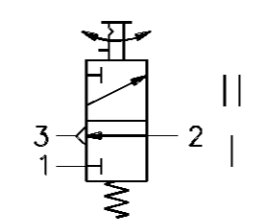
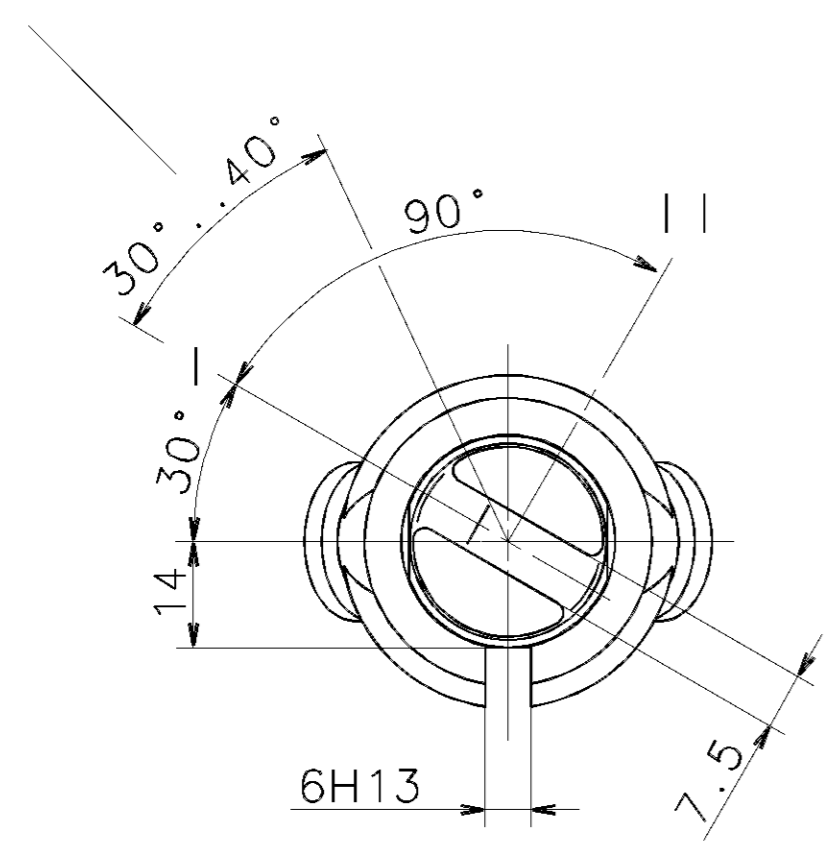
- 1 SUPPLY OF ENERGY FROM THE RESERVOIR  
 ENERGIEZUFLUSS VOM VORRAT  
 CHARGE D'ENERGIE DU RESERVOIR  
 ALIMENTAZIONE DI ENERGIA DAL SERBATOIO
- 2 DELIVERY OF ENERGY TO WORKING LINE  
 ENERGIEABFLUSS IN DIE ARBEITSLEITUNG  
 ECOULEMENT D'ENERGIE A LA CONDUITE DE SERVICE  
 DEFLUSSO DI ENERGIA ALLA CONDATTA DI LAVORO
- 3 EXHAUST  
 ENTLUEFTUNG  
 ECHAPPEMENT  
 SCARICO

BEGINNING OF PRESSURIZING  
 BELUEFTUNGSBEGINN  
 DEDUT D' ALIMENTATION  
 INIZIO DI ALIMENTAZIONE

POSITION : LOCKED  
 STELLUNG : GERASTET  
 POSITION : VERROUILLEE  
 POSIZIONE : INCASTRATA

UNLOCKED : AUTOMATIC RETURN TO POSITION  
 AUSGERASTET : AUTOMATISCHE RUECKFUEHRUNG IN STELLUNG  
 DEVEROUILLEE : RETOUR AUTOMATIQUE A LA POSITION  
 DISINCASTRATO : RITORNO AUTOMATICO ALLA POSIZIONE

INSTALLATION POSITION : OPTIONAL  
 EINBAULAGE : BELIEBIG  
 POSITION D'INSTALLATION : QUELCONQUE  
 POSIZIONE DI MONTAGGIO : A SCELTA



GENERAL SPECIFICATION: JED-334		CADAM-DRAWING COPYRIGHT		<b>WABCO</b>	
FURTHER TECHNICAL DATA:		DATE: 93-09-23		SIGNATURE: VOGES	
DOC. CODE: 092773		SHEET: 1x H		TO: 05-01-28	
GENERAL TOLERANCES					
CLASS	1)	RANGE OF NOMINAL DIMENSIONS ( ± mm )			
		≤50	>50 ≤180	>180 ≤400	>400
FINE		0,5	1,0	1,5	2,0
MEDIUM	X	1,0	2,0	3,0	4,0
COARSE		2,0	3,5	5,0	6,5
TAPPED HOLES ACC. ISO 4039 / JED-152		± 3°			
1) TOLERANCE CLASS APPLIED CROSSMARKED		DCN-NO.	REV.	DATE	
		053535	E	93-09-23	
MASS		SCALE		PRODUCT IDENTIFICATION NO.	
463 036 008 0		1:1		463 036 008 0	
SIZE		T.R.I.		DOC. CODE	
A 2		530		605	
SHAPE CODE		REPLACEMENT FOR		SHEET	
463 036 008 0/89-04-26		818		1/1	

NON E' PERMESSO CONCESSIONE A TERZI O RIPRODURRE QUESTO DOCUMENTO. NE UTILIZZARNE IL CONTENUTO O RENDERSI RESPONSABILI PER QUALSIASI DANNI SUBITI. E' FATTA RISERVA DI TUTTI I DIRITTI DERIVANTI DA BREVETTI O MODELLI.  
 COPIING OF THIS DOCUMENT AND ITS USE OR COMMUNICATION OF THE CONTENTS THEREOF, WITHOUT THE WRITTEN PERMISSION OF THE MANUFACTURER, IS PROHIBITED. ALL RIGHTS ARE RESERVED IN THE EVENT OF THE ABUSE AND RESULT IN A LIABILITY TO THE PAYMENT OF DAMAGES.  
 TOUPE COMMUNICATION OU REPRODUCTION DE CE DOCUMENT, TOUTE EXPLOITATION OU COMMUNICATION DE SON CONTENU, SANS LE PERMIS ECRIT DU FABRICANT, EST PROHIBEE. IL EST RESERVE A TOUS DROITS DE PROPRIETE INDUSTRIELLE RESERVES, NOTAMMENT EN MATIERE DE BREVETS ET DE MODELES.  
 WELLEGABE SOWIE VERVIELFACHUNG DIESER UNTERLAGE, VERBREITUNG UND MITTEILUNG IHRES INHALTS NICHT OHNE SCHRIFTLICHE ZULASSUNG DES HERSTELLERS. ALLE RECHTE WERDEN FÜR DEN FALL DER PATENTIERUNG ODER GEBRAUCHSMUSTER-EINTRAGUNG VORBEHALTEN.