

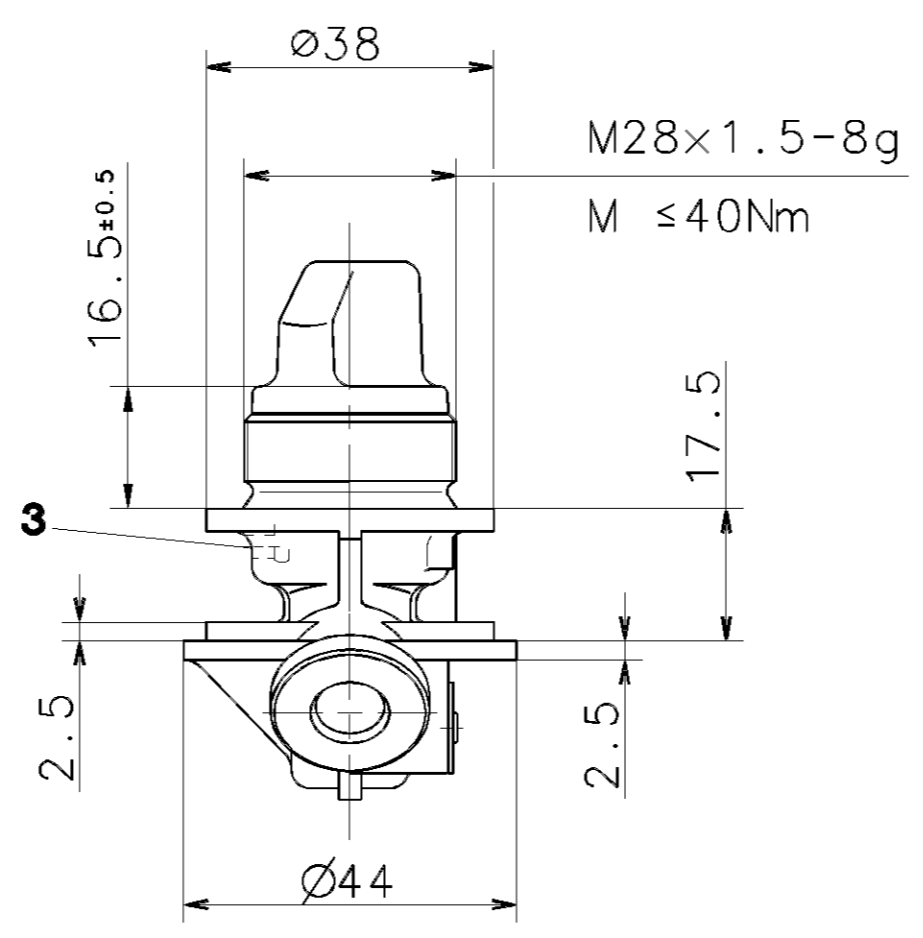
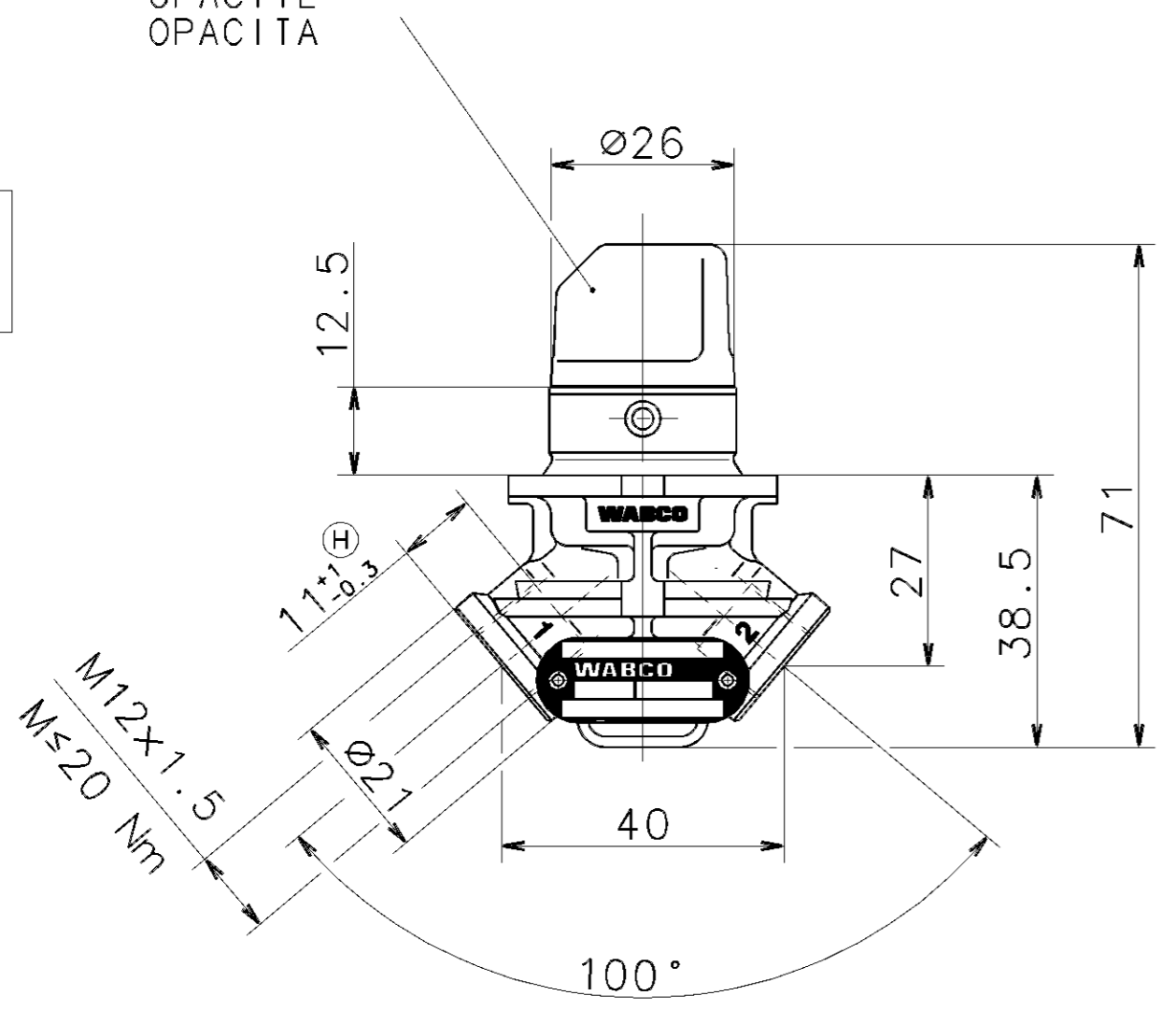
SURFACE GRAINED
 OBERFLAECHE GENARBT
 SURFACE GRAINEE
 SUPERFICIE GRANULATA
 COLOUR MIDDLE GREY
 FARBE MITTELGRAU
 COULEUR GRIS MOYEN
 COLORE GRIGIO MEDIO
 OPACITY
 GLANZGRAD
 OPACITE
 OPACITA

MT 1055
 IC 190
 5±1 GLOSS 60°

THERMAL RANGE OF APPLICATION
 THERMISCHER ANWENDUNGSBEREICH
 GAMME D'APPLICATION THERMIQUE
 CAMPO DI APPLICAZIONE TERMICA
 : -40°C ... +80°C
 NOMINAL DIAMETER
 NENNWEITE
 DIAMETRE NOMINAL
 DIAMETRO NOMINALE
 : min. 12.6 mm² (±0.4mm)
 MAX. PERMISSIBLE WORKING PRESSURE
 MAX. ZULAESSIGER BETRIEBSDRUCK
 PRESSION D'UTILIZATION MAXI ADMISSIBLE
 PRESSIONE DI ESERCIZIO MAX. AMMISSIBLE
 : p_e = 11 bar
 OPERATING TORQUE
 DREHMOMENT ZUR BETAETIGUNG
 COUPLE DE COMMANDE
 COPPIA DI COMANDO
 : 0.8 Nm

MEDIUM : AIR
 MEDIUM : LUFT
 FLUIDE : AIR
 FLUIDO : ARIA

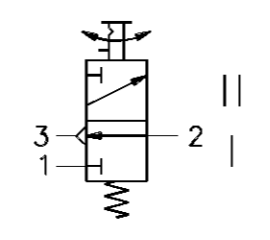
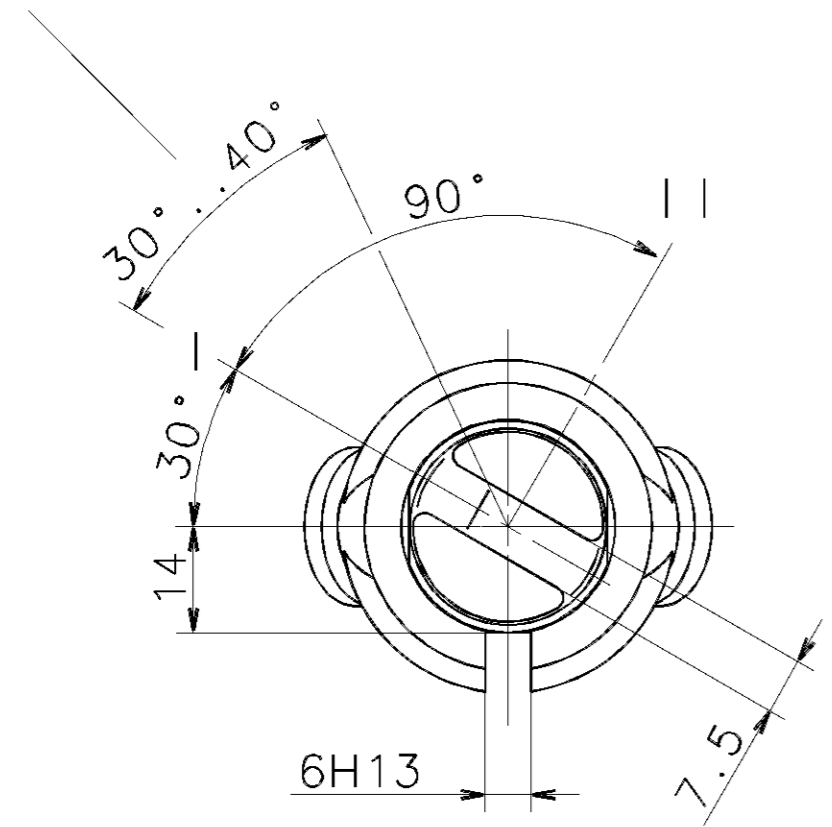
- SUPPLY OF ENERGY FROM THE RESERVOIR
 ENERGIEZUFLUSS VOM VORRAT
 CHARGE D'ENERGIE DU RESERVOIR
 ALIMENTAZIONE DI ENERGIA DAL SERBATOIO
- DELIVERY OF ENERGY TO WORKING LINE
 ENERGIEABFLUSS IN DIE ARBEITSLEITUNG
 ECOULEMENT D'ENERGIE A LA CONDUITE DE SERVICE
 DEFLUSSO DI ENERGIA ALLA CONDATTA DI LAVORO
- EXHAUST
 ENTLUEFTUNG
 ECHAPPEMENT
 SCARICO



BEGINNING OF PRESSURIZING
 BELUEFTUNGSBEGINN
 DEDUT D' ALIMENTATION
 INIZIO DI ALIMENTAZIONE

POSITION : LOCKED
 STELLUNG : GERASTET
 POSITION : VERROUILLEE
 POSIZIONE : INCASTRATA
 UNLOCKED : AUTOMATIC RETURN TO POSITION
 AUSGERASTET : AUTOMATISCHE RUECKFUEHRUNG IN STELLUNG
 DEVEROUILLEE : RETOUR AUTOMATIQUE A LA POSITION
 DISINCASTRATO : RITORNO AUTOMATICO ALLA POSIZIONE

INSTALLATION POSITION : OPTIONAL
 EINBAULAGE : BELIEBIG
 POSITION D'INSTALLATION : QUELCONQUE
 POSIZIONE DI MONTAGGIO : A SCELTA



GENERAL SPECIFICATION: JED-334		CADAM-DRAWING COPYRIGHT		WABCO	
FURTHER TECHNICAL DATA:		DATE: 93-09-23		SIGNATURE: VOGES	
DOC. CODE: 092773		SHEET: 1x H		TO: 05-01-28	
GENERAL TOLERANCES					
CLASS	1)	RANGE OF NOMINAL DIMENSIONS (± mm)			
FINE		≤50	>50 ≤180	>180 ≤400	>400
MEDIUM	X	0,5	1,0	1,5	2,0
COARSE		1,0	2,0	3,0	4,0
		2,0	3,5	5,0	6,5
TAPPED HOLES ACC. ISO 4039 / JED-152		053535	E	93-09-23	
1) TOLERANCE CLASS APPLIED CROSSMARKED		DCN-NO.	REV.	DATE	
		530			
		MASS SCALE: 1:1		PRODUCT IDENTIFICATION NO. 463 036 008 0	
		SIZE T.R.I.		DOC. CODE SHEET: 605 1/1	
		SHAPE CODE		REPLACEMENT FOR: 463 036 008 0/89-04-26	
		EXPERT CODE 818		PRODUCT TYPE 0	

NON E' PERMESSO CONCESSIONE A TERZI O RIPRODURRE QUESTO DOCUMENTO. NE UTILIZZARNE IL CONTENUTO O RENDERSI RESPONSABILI PER QUALSIASI DANNI SUBITI. E' FATTA RISERVA DI TUTTI I DIRITTI DERIVANTI DA BREVETTI O MODELLI.
 COPIING OF THIS DOCUMENT AND ITS USE OR COMMUNICATION OF THE CONTENTS THEREOF, WITHOUT THE WRITTEN PERMISSION OF THE MANUFACTURER, IS PROHIBITED. ALL RIGHTS ARE RESERVED IN THE EVENT OF THE ABUSE AND RESULT IN A LIABILITY TO THE PAYMENT OF DAMAGES.
 TOUPE COMMUNICATION OU REPRODUCTION DE CE DOCUMENT, TOUTE EXPLOITATION OU COMMUNICATION DE SON CONTENU, ENVIANT EN TANT QUE TROISIEME PARTIE, SON AUTEUR AU PERJUREMENT DE DOMMAGES ET INTERETS A TOUTS DROITS DE PROPRIETE INDUSTRIELLE RESERVES, NOTAMMENT EN MATIERE DE BREVETS ET DE MODELES.
 WELLEGABE SOWIE VERVIELFAELTIGUNG DIESER UNTERLAGE, VERBREITUNG UND MITTEILUNG IHRES INHALTS NICHT OHNE SCHRIFTLICHE ZULASSUNG DES HERSTELLERS ZU ERGEBEN. ALLE RECHTE WERDEN FÜR DEN FALL DER PATENTIERUNG ODER GEBRAUCHSMUSTER-EINTRAGUNG VORBEHALTEN.