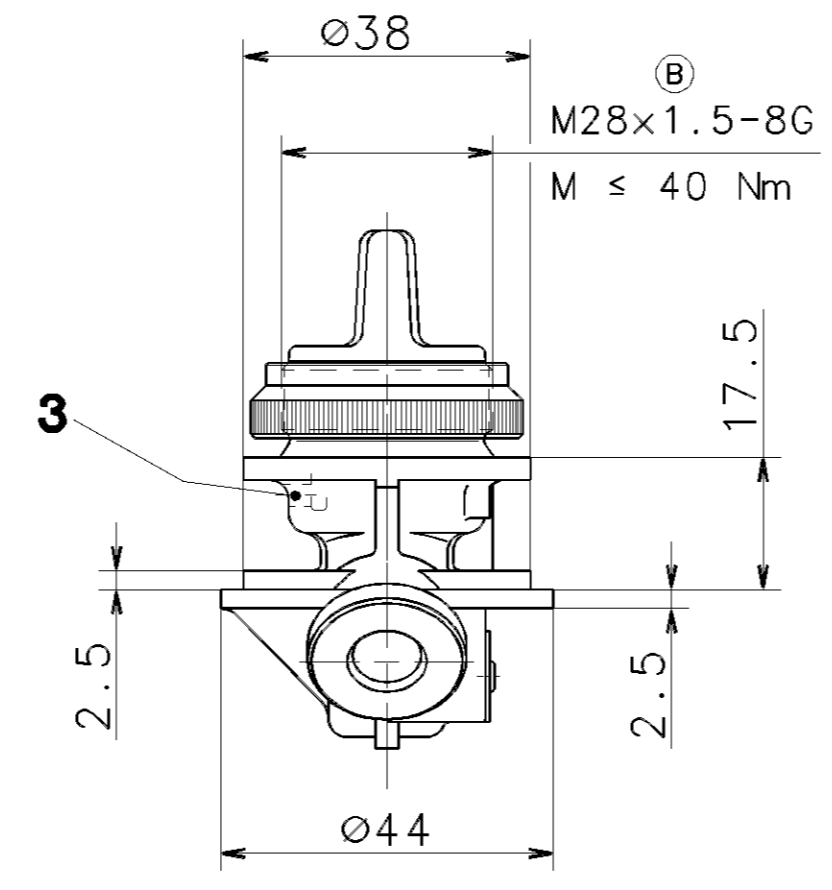
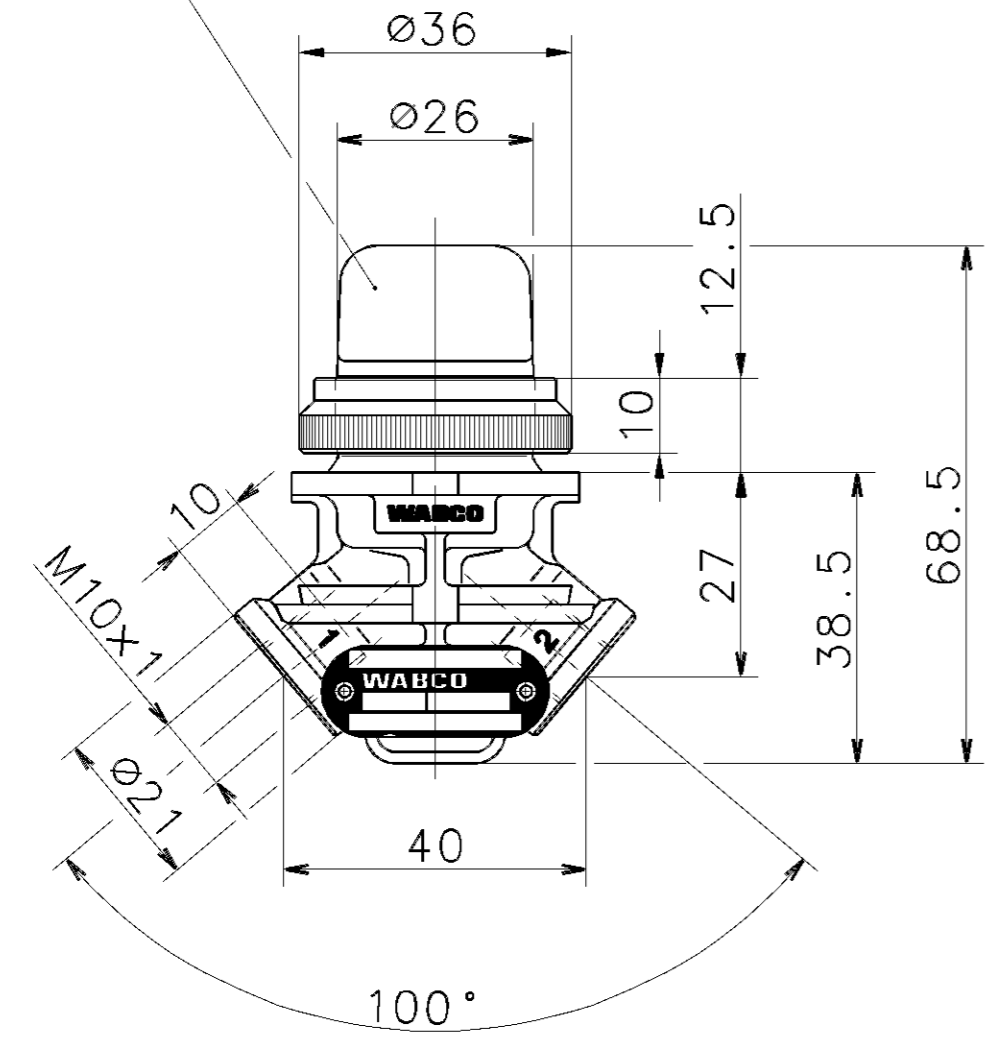


SURFACE GRAINED  
 OBERFLAECHE GENARBT  
 SURFACE GRAINEE  
 SUPERFICIE GRANULATA

JED-533.063

COLOUR :  
 FARBE :  
 COLOR :  
 COLORE :

RAL 9011



THERMAL RANGE OF APPLICATION :  
 THERMISCHER ANWENDUNGSBEREICH : -25°C ... +80°C  
 GAMME D'APPLICATION THERMIQUE :  
 CAMPO DI APPLICAZIONE THERMICA :  
 NOMINAL DIAMETER :  
 NENNWEITE :  
 DIAMETRE NOMINAL : MIN. 12.6mm<sup>2</sup> (±0.4mm)  
 DIAMETRO NOMINALE :  
 MAX. PERMISSIBLE WORKING PRESSURE :  
 MAX. ZULAESSIGER BETRIEBSDRUCK :  
 PRESSION D'UTILIZATION MAXI AMMISSIBLE : p<sub>e</sub> = 10 bar  
 PRESSIONE DI ESERCIZIO MAX. AMMISSIBLE :  
 OPERATING TORQUE :  
 DREHMOMENT ZUR BETAETIGUNG :  
 COUPLE DE COMMANDE : 0.4 Nm  
 COPPIA DI COMANDO :

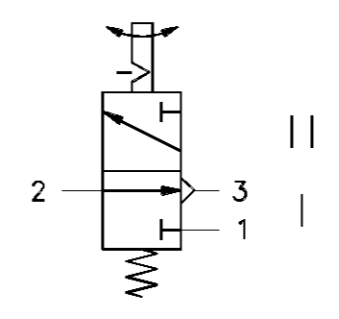
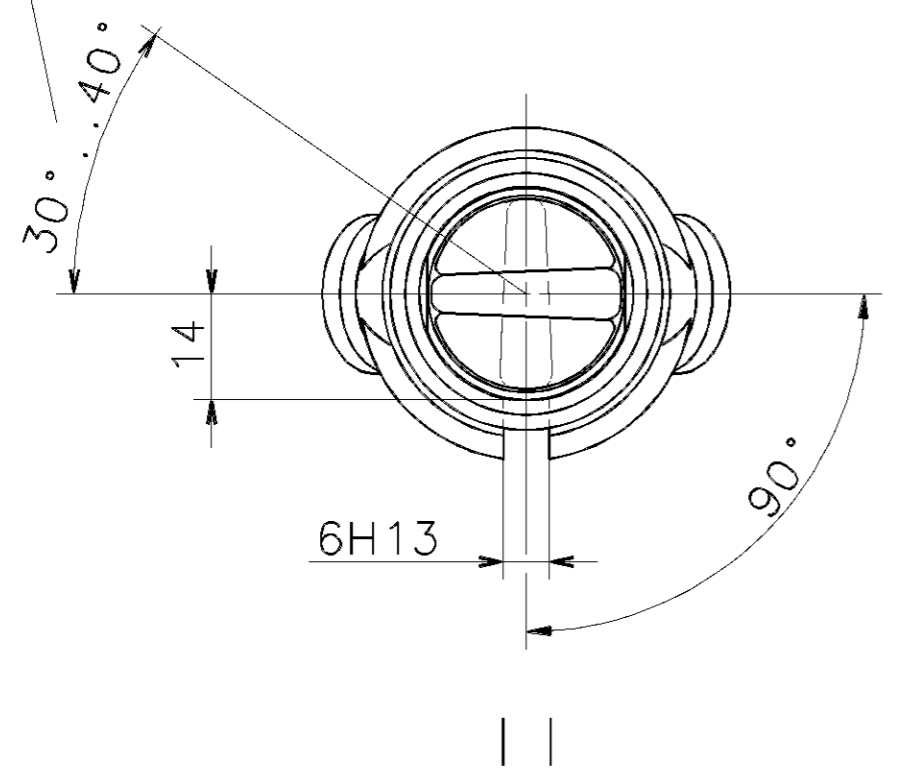
AMBIENT MEDIUM : AIR (CONTAINING WATER, DUST AND OIL)  
 UMGEBUNGSMEDIUM : LUFT (WASSER, STAUB- UND OELHALTIG)  
 FLUIDE AMBIANT : AIR (HUMIDE, HUILEUX, POUSSIEREUX)  
 FLUIDO AMBIENTE : ARIA (ACQUA, POLVERE E OLIO INQUINATO)  
 WORKING MEDIUM : AIR (CONTAINING WATER AND OIL)  
 ARBEITSMEDIUM : LUFT (WASSER- UND OELHALTIG)  
 FLUIDE D'UTILISATION : AIR (HUMIDE ET POUSSIEREUX)  
 FLUIDO DI ESERCIZIO : ARIA (ACQUA E OLIO INQUINATO)

INSTALLATION POSITION : OPTIONAL  
 EINBAULAGE : BELIEBIG  
 POSITION D'INSTALLATION : A VOLONTE  
 POSIZIONE DI MONTAGGIO : A SCELTA

POSITION : LOCKED  
 STELLUNG : GERASTET  
 POSITION : VERROUILLEE  
 POSIZIONE : INCASTRATA  
 UNLOCKED : AUTOMATIC RETURN TO POSITION  
 AUSGERASTET : AUTOMATISCHE RUECKFUEHRUNG IN STELLUNG  
 DEVEROUILLEE : RETOUR AUTOMATIQUE A LA POSITION  
 DISINCASTRATO : RITORNO AUTOMATICO ALLA POSIZIONE

- 1 SUPPLY OF ENERGY FROM THE RESERVOIR  
 ENERGIEZUFLUSS VOM VORRAT  
 CHARGE D'ENERGIE DU RESERVOIR  
 ALIMENTAZIONE DI ENERGIA DAL SERBATOIO
- 2 DELIVERY  
 ENERGIEABFLUSS IN DIE ARBEITSLEITUNG  
 UTILISATION  
 MANDATA
- 3 TO ATMOSPHERE (EXHAUST)  
 ANSCHLUSS ATMOSPHAERE (ENTLUEFTUNG)  
 A L'ATMOSPHAERE (ECHAPPEMENT)  
 ALL'ATMOSFERA (SCARICO)

BEGINNING OF PRESSURIZING  
 BELUEFTUNGSBEGINN  
 DEBUT D'ALIMENTATION  
 INIZIO DI ALIMENTAZIONE



GENERAL SPECIFICATION:		JED-334	
FURTHER TECHNICAL DATA:			
DOC. CODE:	SHEET:	TO	
GENERAL TOLERANCES			
CLASS 1)	RANGE OF NOMINAL DIMENSIONS ( ± mm )		
	≤50	> 50 ≤180	>180 ≤400
FINE	0,5	1,0	1,5
MEDIUM	1,0	2,0	3,0
COARSE	2,0	3,5	5,0
TAPPED HOLES ACC. ISO 4039 / JED-152			
072722		1xB	01-06-11
58750		2xA	97-12-12
1) TOLERANCE CLASS APPLIED CROSSMARKED			
DCN-NO.		REV.	DATE
CADAM-DRAWING COPYRIGHT		DATE SIGNATURE	
DRAWN:		97-04-25 VOGES	
CHECKED:		DIEKMAYER	
STANDARDIZATION:			
MASS	SCALE	PRODUCT IDENTIFICATION NO.	
0.25	1:1	463 036 022 0	
KG		DOC. CODE	SHEET
SIZE	T.R.I.	605	1/1
A 2	140	REPLACEMENT FOR	
SHAPE CODE			
EXPERT CODE		7119	
PRODUCT TYPE		00X	

NON E' PERMESSO CONSERVARE A TERZI O RIPRODURRE QUESTO DOCUMENTO. NE UTILIZZARE IL CONTENUTO O RENDERSI RESPONSABILI PER QUALSIASI DANNI, PERDITE O GUASTI. TUTTI I DIRITTI RISERVATI DA WABCO E COMPARTI. IL RISARCIMENTO DEI DANNI SUBITI E FATTA A RISERVA DI TUTTI I DIRITTI DERIVANTI DA BREVETTI O MODELLI.  
 COPIING OF THIS DOCUMENT AND ITS USE OR COMMUNICATION OF THE CONTENTS THEREOF, WITHOUT THE WRITTEN PERMISSION OF WABCO, IS PROHIBITED. ALL RIGHTS ARE RESERVED IN THE EVENT OF THE ABUSE AND RESULT IN A LIABILITY TO THE PAYMENT OF DAMAGES. ALL RIGHTS ARE RESERVED IN THE EVENT OF THE GRANT OF PATENT OR REGISTRATION OF A UTILITY MODEL OR DESIGN. THIS DOCUMENT IS THE SUBJECT OF COPYRIGHT.  
 TOUTE COMMUNICATION OU REPRODUCTION DE CE DOCUMENT, TOUTE EXPLOITATION OU COMMUNICATION DE SON CONTENU, SANS LE PERMIS ECRIT DE WABCO, EST PROHIBEE. IL RISARCIMENTO DES DANNIS, PERTES ET GASTS, EST RESERVE. TOUS DROITS DE PROPRIETE INDUSTRIELLE RESERVES, NOTAMMENT EN MATIERE DE BREVETS ET DE MODELES.  
 WELLEGABE SOWIE VERVIELFAELTIGUNG DIESER UNTERLAGE, VERBREITUNG UND MITTEILUNG IHRES INHALTS NICHT OHNE SCHRIFTLICHE ZULASSUNG VON WABCO. ALLE RECHTE SIND VORBEHALTEN. IN FALLE VON PATENTIERUNG O REGISTRATION EINES NUTZMODELLS O DESIGN. DIESER DOKUMENT IST DAS OBJEKT VON URHABERRECHT.