

6H13 $\begin{matrix} +0.180 \\ 0 \end{matrix}$

THERMAL RANGE OF APPLICATION :
 THERMISCHER ANWENDUNGSBEREICH :
 GAMME D'APPLICATION THERMIQUE :
 CAMPO DI APPLICAZIONE TERMICA :
 -40°C ... +80°C

NOMINAL DIAMETER :
 NENNWIETE :
 DIAMETRE NOMINAL :
 DIAMETRO NOMINALE :
 MIN. 12.6 mm² ($\frac{1}{4}$ Ø4mm)

MAX. PERMISSIBLE WORKING PRESSURE :
 MAX. ZULAESSIGER BETRIEBSDRUCK :
 PRESSION D'UTILIZATION MAXI ADMISSIBLE :
 PRESSIONE DI ESERCIZIO MAX. AMMISSIBLE :
 p_e = 11 bar

OPERATING TORQUE :
 DREHMOMENT ZUR BETAETIGUNG :
 COUPLE DE COMMANDE :
 COPPIA DI COMMANDO :
 0.8 Nm

MEDIUM :
 MEDIUM :
 FLUIDE :
 FLUIDO :
 AIR
 LUFT
 AIR
 ARIA

1 SUPPLY OF ENERGY FROM THE RESERVOIR
 ENERGIEZUFLUSS VOM VORRAT
 CHARGE D'ENERGIE DU RESERVOIR
 ALIMENTAZIONE DI ENERGIA DAL SERBATOIO

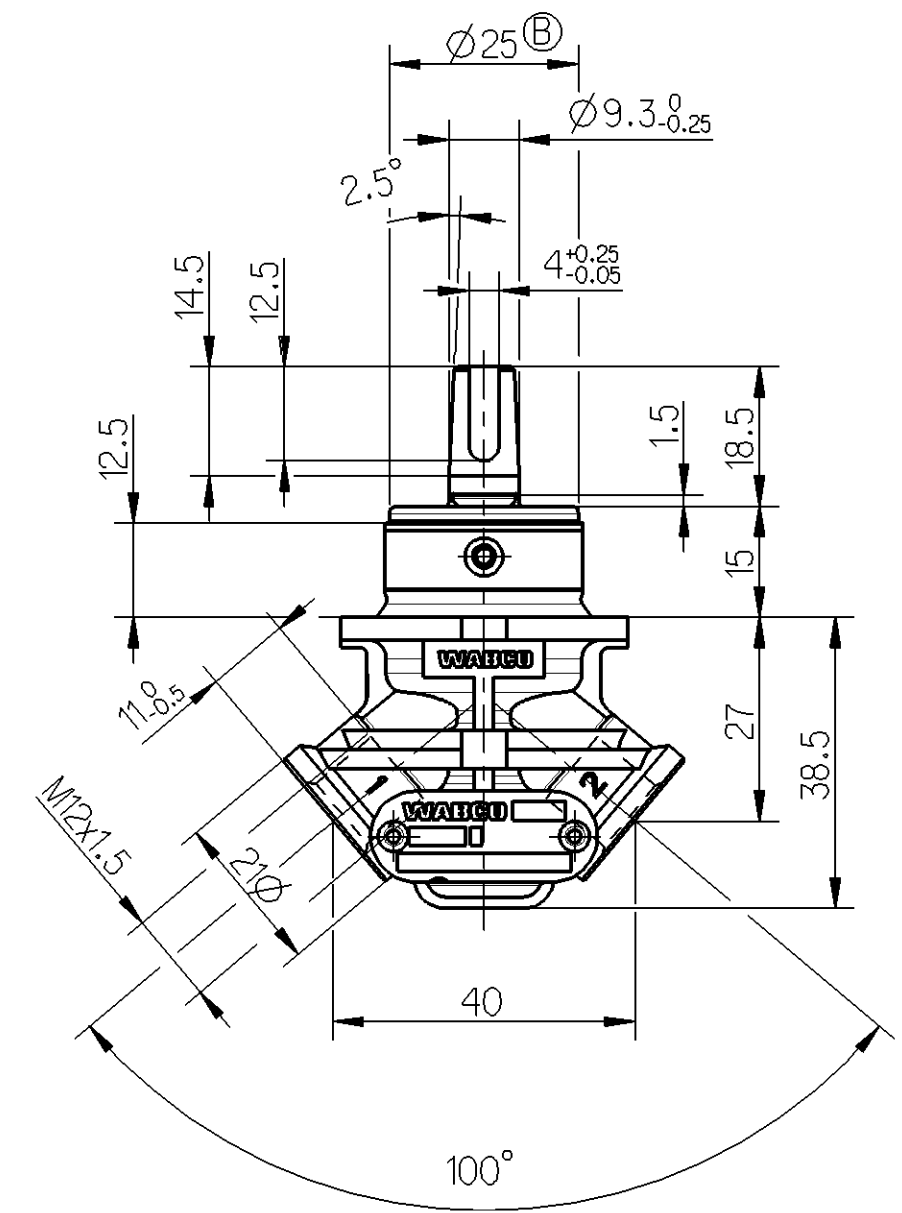
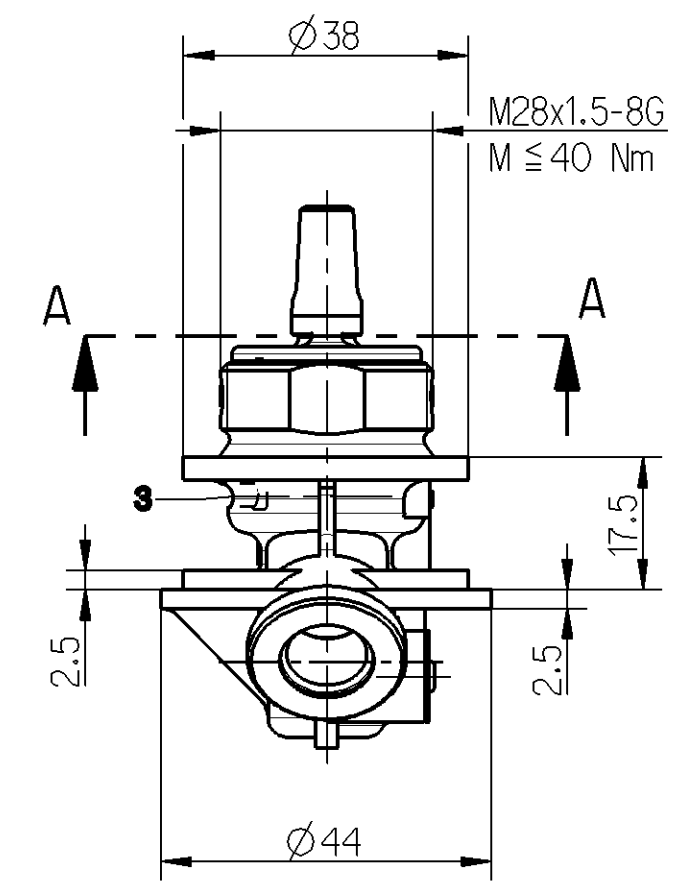
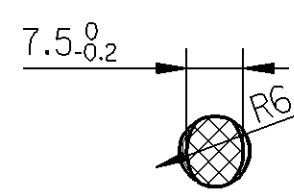
2 DELIVERY
 ENERGIEABFLUSS IN DIE ARBEITSLEITUNG
 UTILISATION
 MANDATA

3 EXHAUST
 ANTLUEFTUNG
 ECHASPPEMENT
 SCACARICO

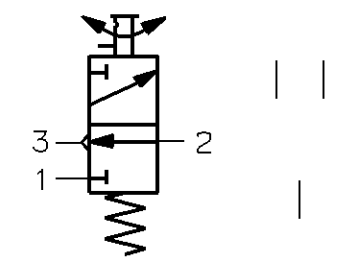
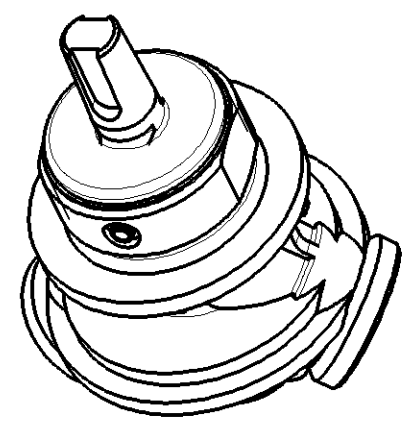
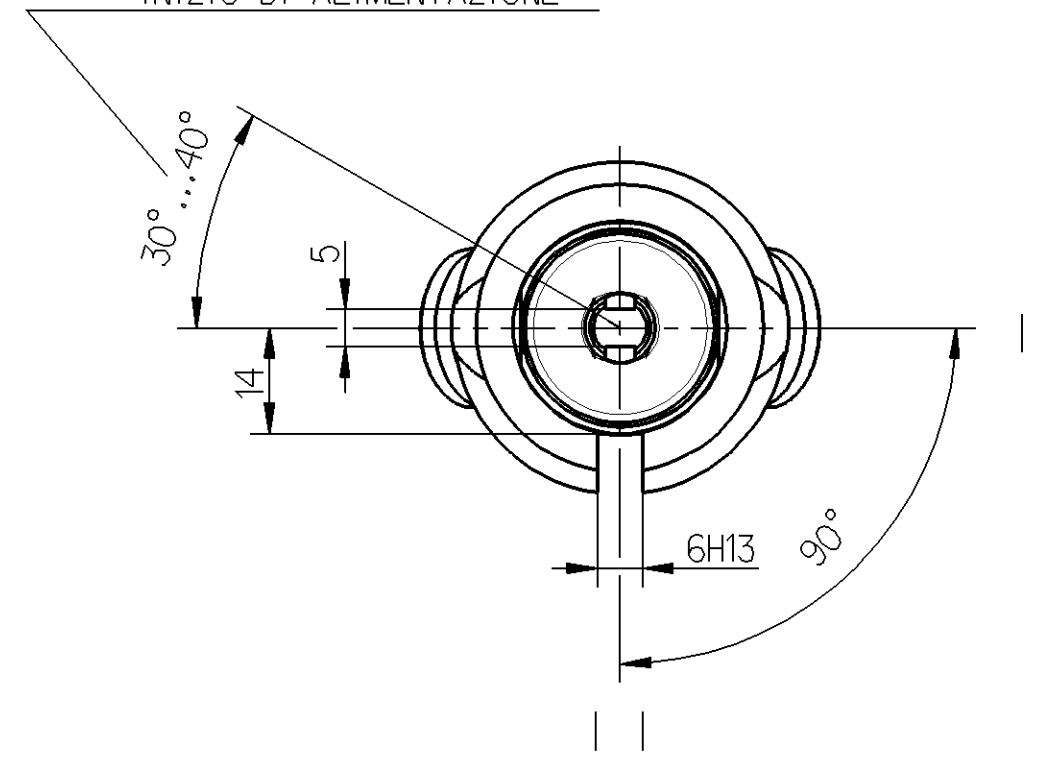
POSITION : LOCKED
 STELLUNG : GERASTET
 POSITION : VERROUILLEE
 POSIZIONE : INCASTRATA

UNLOCKED : AUTOMATIC RETURN TO POSITION
 AUSGERASTET : AUTOMATISCHE RUECKFUEHRUNG IN STELLUNG
 DEVEROUILLEE : RETOUR AUTOMATIQUE A LA POSITION
 DISINCASTRATO : RITORNO AUTOMATICO ALLA POSIZIONE

A-A



BEGINNING OF PRESSURIZING
 BELUEFTUNGSBEGINN
 DEBUT D'-ALIMENTATION
 INIZIO DI ALIMENTAZIONE



General Specification: JED-334-0		Copyright WABCO®		WABCO		
Further Technical Data:		Date	Signature			
Doc. Code:	Sheet:	To	2012-02-27	Drawn	Kryla	
General Tolerances JED-261			Checked	2012-03-14		
Range of Nominal Dimensions (± mm)			Expert	Molyn		
Class 1)	≤ 50	> 50 ≤ 180	> 180 ≤ 400	> 400	±3°	
Fine	0.5	1.0	1.5	2.0		
Medium	X 1.0	2.0	3.0	4.0		
Coarse	2.0	3.5	5.0	6.5		
Tapped Holes acc.		A 2		Pro/E		
1) Tolerance Class Applied Crossmarked		ECN-No.		Revision	Techn. Resp.	
		157866		1	B	
		Scale		Material No.		Date of first issue: 2000-05-29
		1:1		463 036 026 0		Doc.Code Language Sheet
		Size CAD System		Replacement for		005 ML 1/1
		A 2 Pro/E		463 012 930 0		

Non è permesso copiare o terzi o riprodurre questo documento, ne utilizzare il contenuto o renderlo comunque noto a terzi senza permesso scritto dalla WABCO. È vietata espressamente la ristampa o l'uso non autorizzato senza permesso scritto dalla WABCO. Toute réimpression ou utilisation non autorisée sans la permission écrite de la WABCO est formellement interdite. Toute réimpression ou utilisation non autorisée sans la permission écrite de la WABCO est formellement interdite. This document is the subject of copyright. All rights reserved in the event of the grant of patent or registration of a utility model or design. This document is the subject of copyright. All rights reserved in the event of the grant of patent or registration of a utility model or design.

Toute communication ou reproduction de ce document, toute exploitation ou communication de son contenu sont interdites, sauf autorisation expresse de la WABCO. Toute réimpression ou utilisation non autorisée sans la permission écrite de la WABCO est formellement interdite. Toute réimpression ou utilisation non autorisée sans la permission écrite de la WABCO est formellement interdite. This document is the subject of copyright. All rights reserved in the event of the grant of patent or registration of a utility model or design. This document is the subject of copyright. All rights reserved in the event of the grant of patent or registration of a utility model or design.