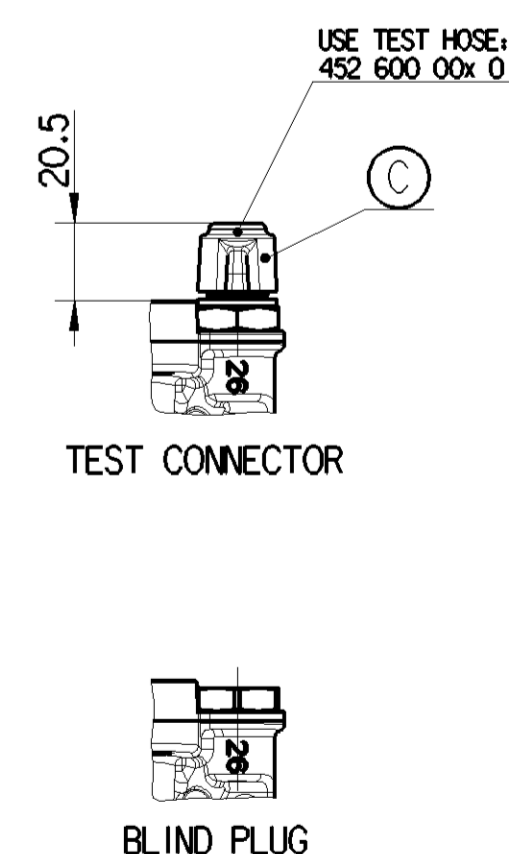
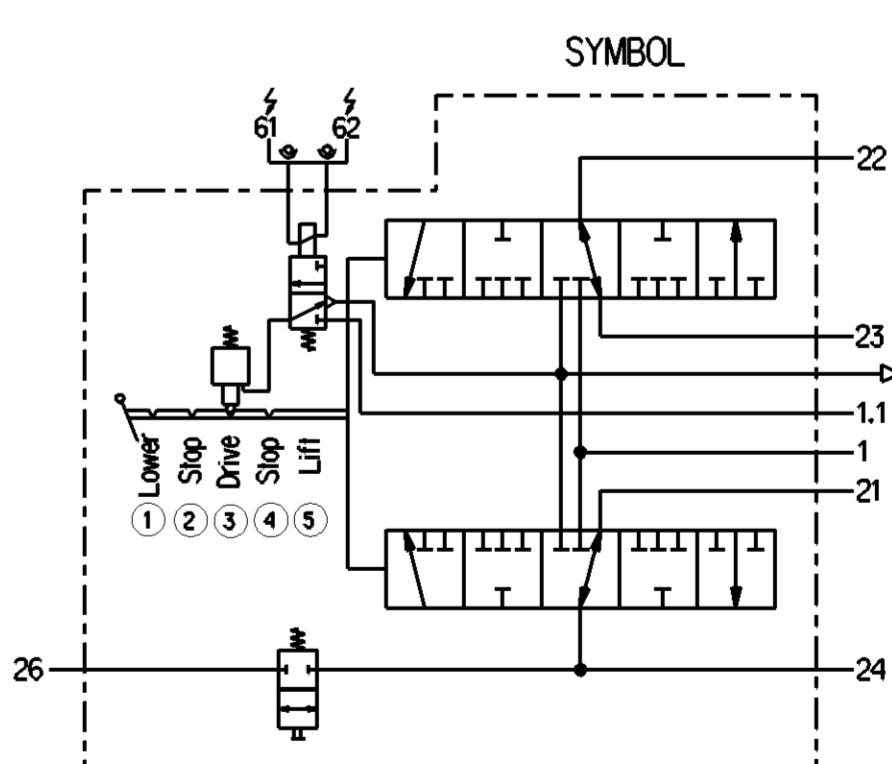
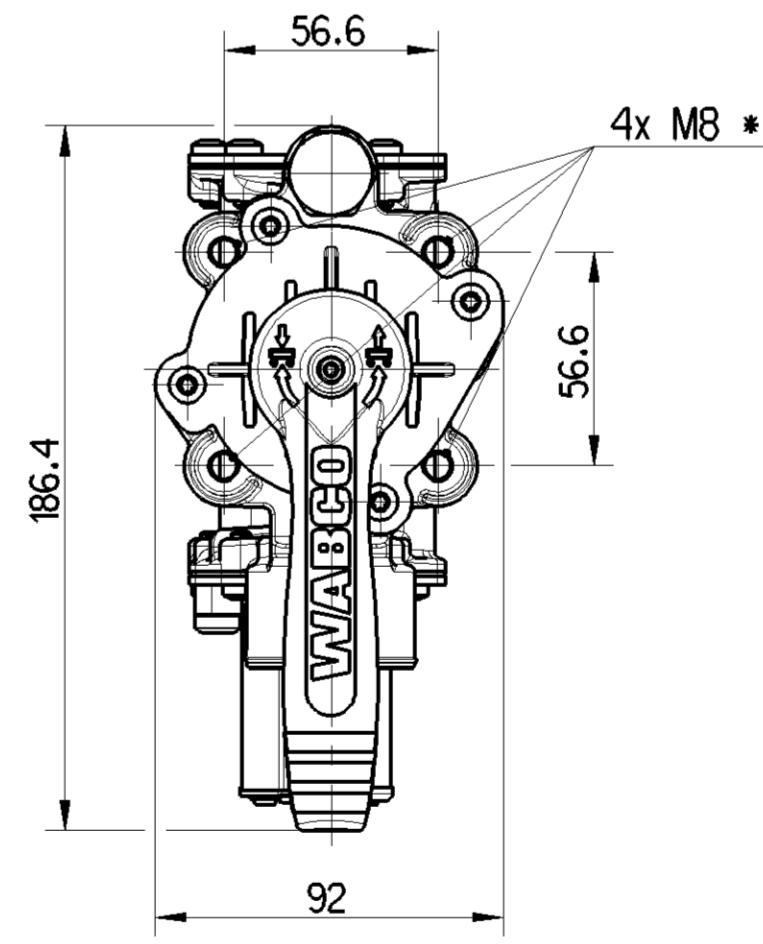
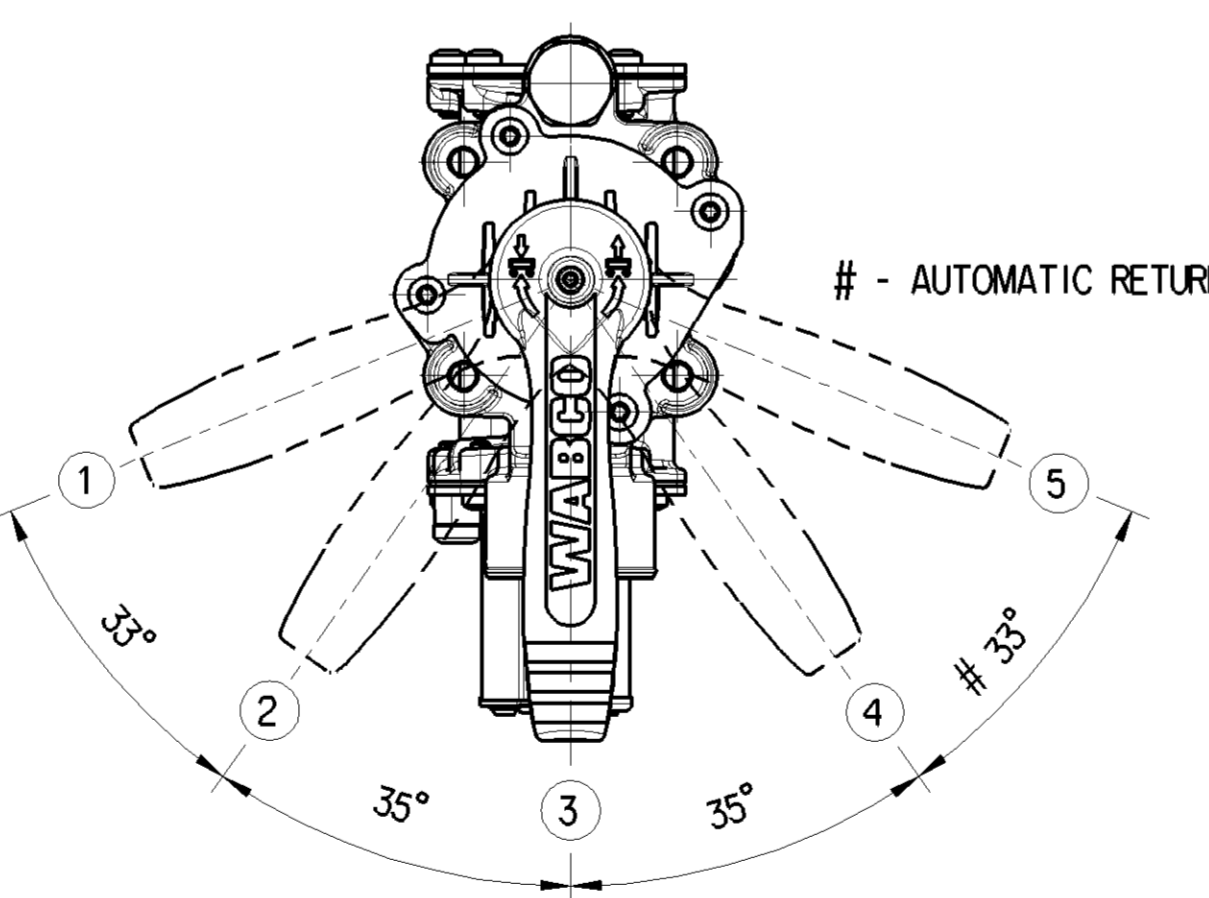
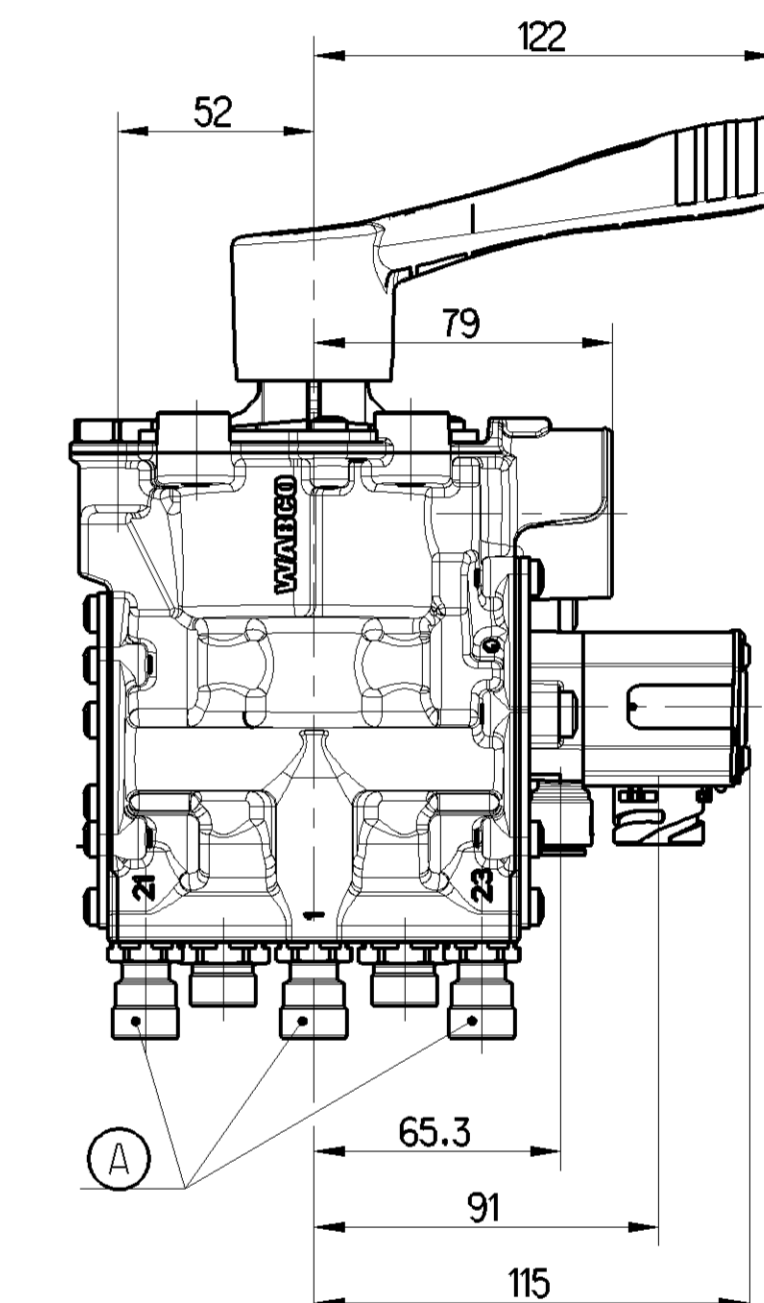
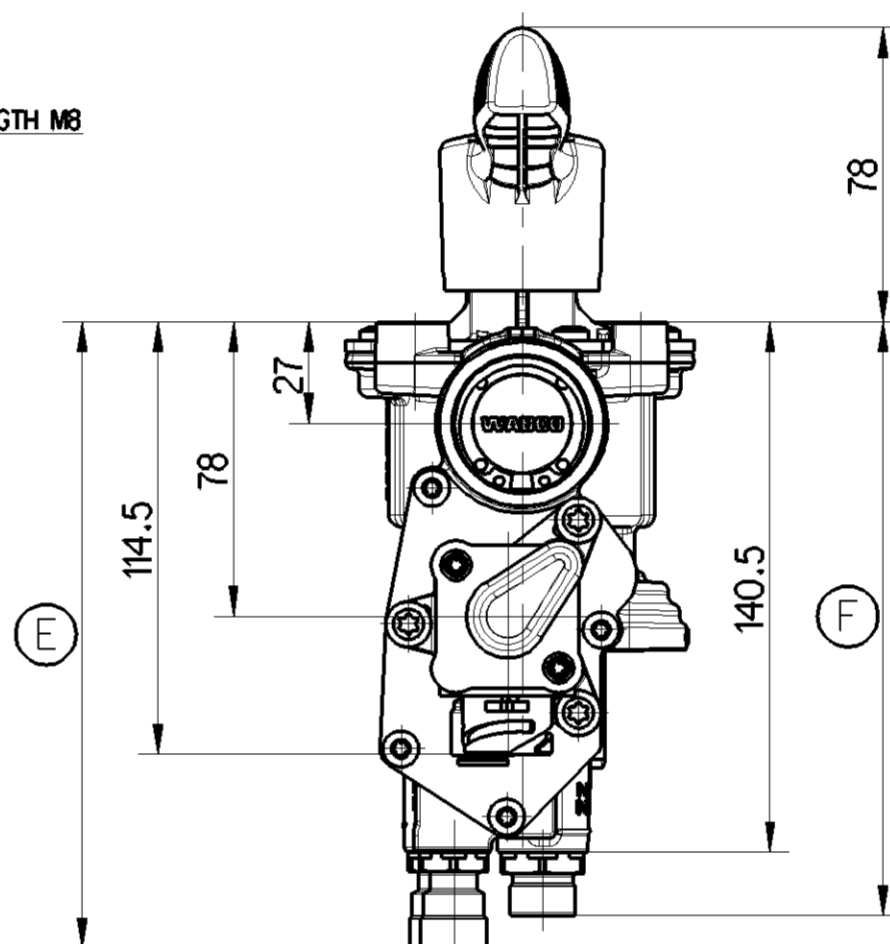
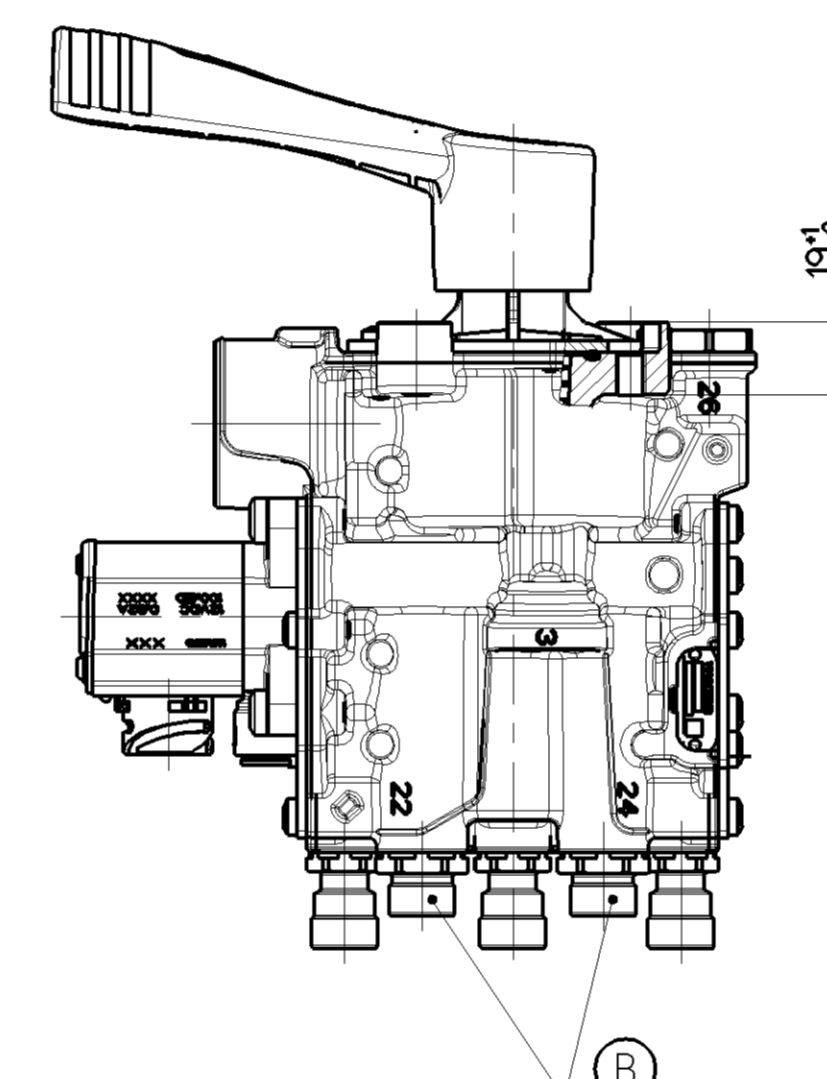
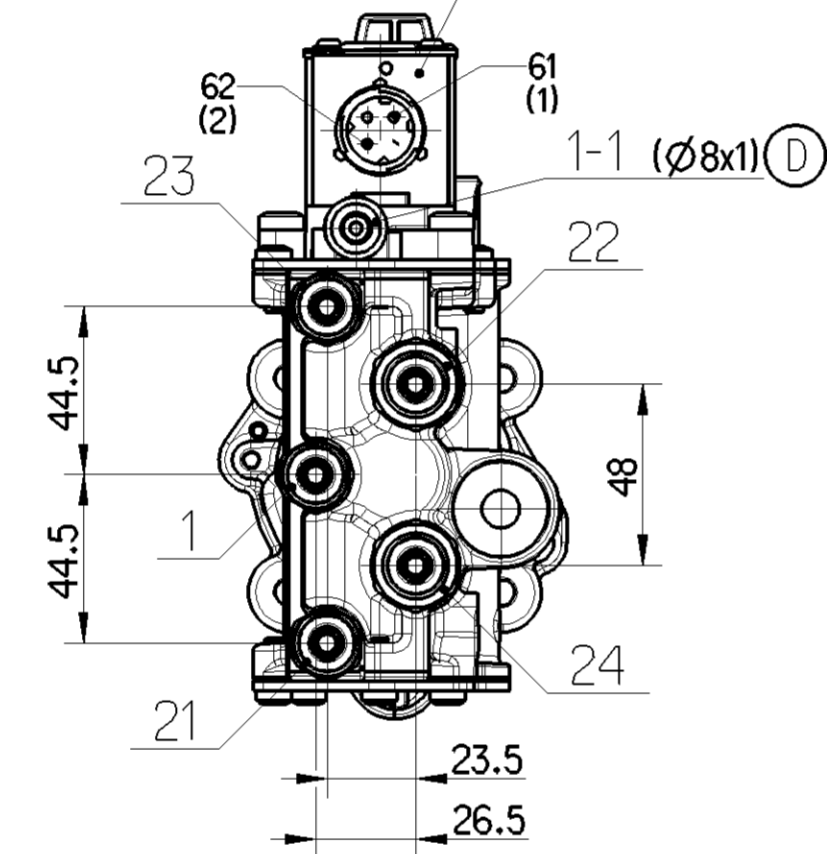


TORQUE FOR CONNECTIONS:	M16x1.5 -> M _{max} = 34 Nm
	M12x1.5 -> M _{max} = 21 Nm
* TORQUE FOR MOUNTING SCREW:	M8 -> M _{max} = 10 Nm

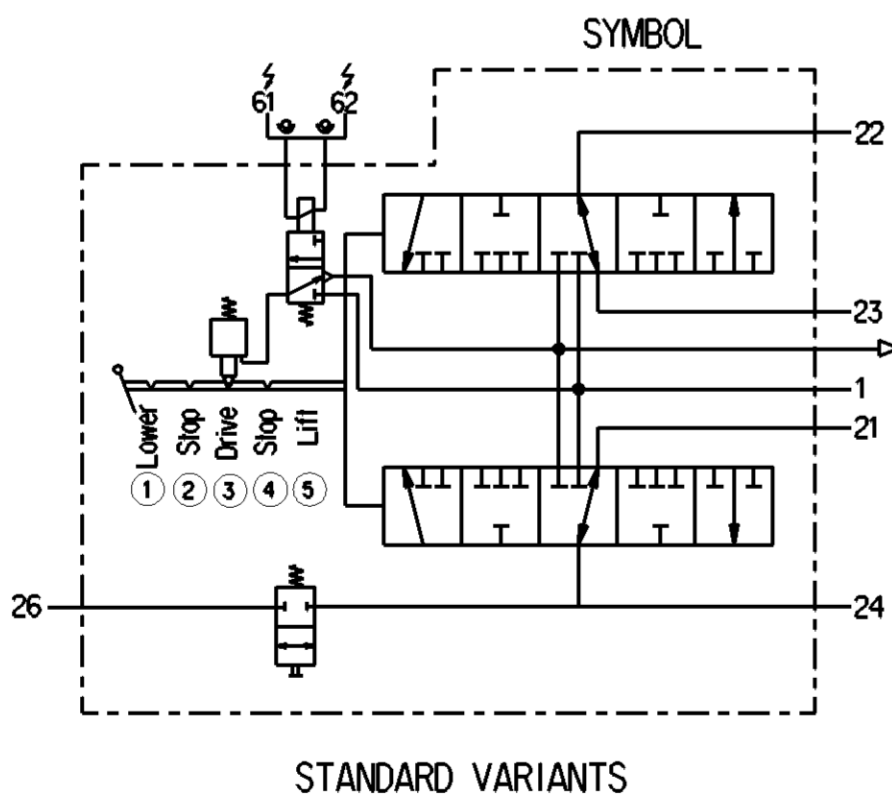
FOR FURTHER TECHNICAL DATA SEE:
442 001 221 1 or 442 001 222 1 doc. code 035



- 1 LOWERING
- 2 STOP LOWERING
- 3 RIDE (DRIVE)
- 4 STOP LIFTING
- 5 LIFTING

PORT	FUNCTION	THREAD	FITTING, TUBE DIAMETER	TUBE INSERTION DEPTH
1	AIR SUPPLY	M12x1.5 (JED-152)	Ø8x1	20.5 mm
1-1	AIR SUPPLY LV HEIGHT LIMITATION	- - -	Ø8x1	13.5 mm
21 23	LEVELLING VALVE	M12x1.5 (JED-152)	Ø8x1	20.5 mm
22 24	AIR-SUSPENSION BELLOWS	M16x1.5 (JED-152)	Ø8x1 Ø12x1.5	20.5 mm 25 mm
26	TEST CONNECTOR	- - -	- - -	- - -
3	EXHAUST	- - -	- - -	- - -
61 62	ELECTRICAL CONTROL (MAGNET)	- - -	- - -	- - -

MAXIMUM HANDLE OPERATION FORCE: 13 Nm
 MAINTENANCE REQUIREMENTS: NONE
 SERVICE CONDITION: CONTINUOUS SERVICE
 WORK MEDIUM: SEE PS 463 090 309 0 doc. code 035
 WORKING ENVIRONMENT: AIR (WATER, SALT, DUST AND OIL CONTAINING)
 THERMAL RANGE OF APPLICATION UNDER NORMAL AMBIENT CONDITIONS: -40°C ... +65°C
 WORK PRESSURE (SUPPLY): p_e = 10 bar
 SHORT TERM RESISTANCE TO HEAT MAX. 1h AT 110°C WITHOUT FUNCTION
 TYPE OF PROTECTION ACCORDING TO DIN 40050: IP 6K/9K
 SECURITY AGAINST THE CONFUSING OF POLES: EXISTING
 NOMINAL CURRENT AT ROOM TEMPERATURE: I_n = 0.34 A
 VOLTAGE: 24±6V or 12V±3V (SEE TABLE) (B)
 TYPE OF CURRENT: DIRECT CURRENT
 PROTECTION CLASS: III



DEVICE NUMBER	LOCKING IN LOWERING	FITTING SIZE (A)	FITTING SIZE (B)	TEST CONNECTOR (C)	SOLENOID VOLTAGE	SUPPLY PORT (LV HEIGHT LIMITATION) (D)	DIMENSION (E)	DIMENSION (F)	WEIGHT
463 090 316 0	YES	Ø8x1	Ø12x1.5	YES	24V	YES	(B) 166 mm	(B) 170 mm	1.850 KG
463 090 315 0	YES	Ø8x1	Ø8x1	YES	24V	NO	(B) 166 mm	157 mm	1.825 KG
463 090 314 0	NO #	OPEN PORT M12x1.5	OPEN PORT M16x1.5	NO	24V	YES	140.5 mm	140.5 mm	1.665 KG
463 090 313 0	YES	OPEN PORT M12x1.5	OPEN PORT M16x1.5	YES	24V	NO	140.5 mm	140.5 mm	1.680 KG
463 090 312 0	YES	OPEN PORT M12x1.5	OPEN PORT M16x1.5	YES	24V	YES	140.5 mm	140.5 mm	1.680 KG
463 090 311 0	YES	Ø8x1	Ø8x1	NO	24V	YES	(B) 166 mm	157 mm	1.810 KG
463 090 310 0	YES	Ø8x1	Ø12x1.5	YES	24V	NO	(B) 166 mm	(B) 170 mm	1.850 KG
463 090 306 0	NO #	OPEN PORT M12x1.5	OPEN PORT M16x1.5	NO	12V	NO	140.5 mm	140.5 mm	1.665 KG
463 090 305 0	NO #	OPEN PORT M12x1.5	OPEN PORT M16x1.5	NO	12V	YES	140.5 mm	140.5 mm	1.665 KG
463 090 304 0	YES	OPEN PORT M12x1.5	OPEN PORT M16x1.5	YES	12V	NO	140.5 mm	140.5 mm	1.680 KG
463 090 303 0	YES	OPEN PORT M12x1.5	OPEN PORT M16x1.5	YES	12V	YES	140.5 mm	140.5 mm	1.680 KG
463 090 302 0	YES	Ø8x1	Ø8x1	NO	12V	YES	(B) 166 mm	157 mm	1.810 KG
463 090 301 0	YES	Ø8x1	Ø8x1	NO	12V	NO	(B) 166 mm	157 mm	1.810 KG
463 090 300 0	YES	Ø8x1	Ø12x1.5	YES	12V	NO	(B) 166 mm	(B) 170 mm	1.850 KG

General Specification: JED-334-1, Size ISO 14405 LP
 Copyright WABCO®
 Further Technical Data: Date: 2020-12-10, Drawn: Bologo, Checked: Szyzsko, Expert: Szyzsko
 Doc. Code: Sheet: To: 2020-12-10
 General Tolerances JED-261
 Range of Nominal Dimensions (± mm)
 Class 1) ≤ 50 > 50 > 180 > 180 > 400 > 400
 Fine 0.5 1.0 1.5 2.0
 Medium X 1.0 2.0 3.0 4.0 ±3°
 Coarse 2.0 3.5 5.0 6.5
 Mass Scale: SEE TABLE 1:2
 Size CAD System: 1:1
 Material No.: 463 090 309 0
 Date of first issue: 2020-02-05
 Doc. Code: 506623, Language: EN, Sheet: 1/1
 Revision: 11 x B, Techn. Resp.: 5815, Replacement for: 894 018 710 0
 Tapped Holes acc. JED-152
 1) Tolerance Class Applied Crossmarked

Tutti i diritti sono riservati. È vietata espressamente la ristampa o l'uso non autorizzato senza permesso scritto dalla WABCO. La WABCO non è responsabile per danni di qualsiasi natura. Tutti i diritti sono riservati. È vietata espressamente la ristampa o l'uso non autorizzato senza permesso scritto dalla WABCO. La WABCO non è responsabile per danni di qualsiasi natura.