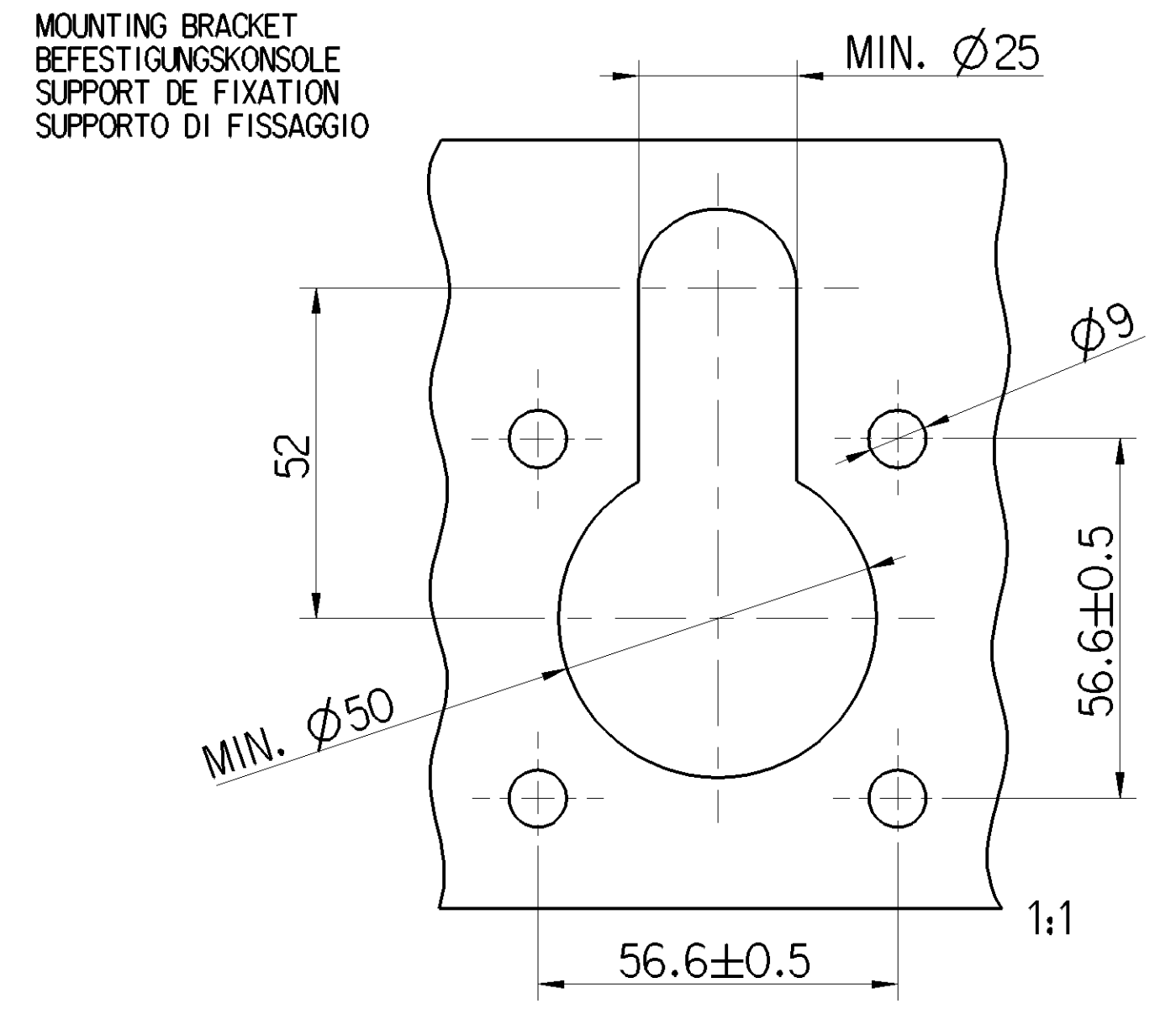
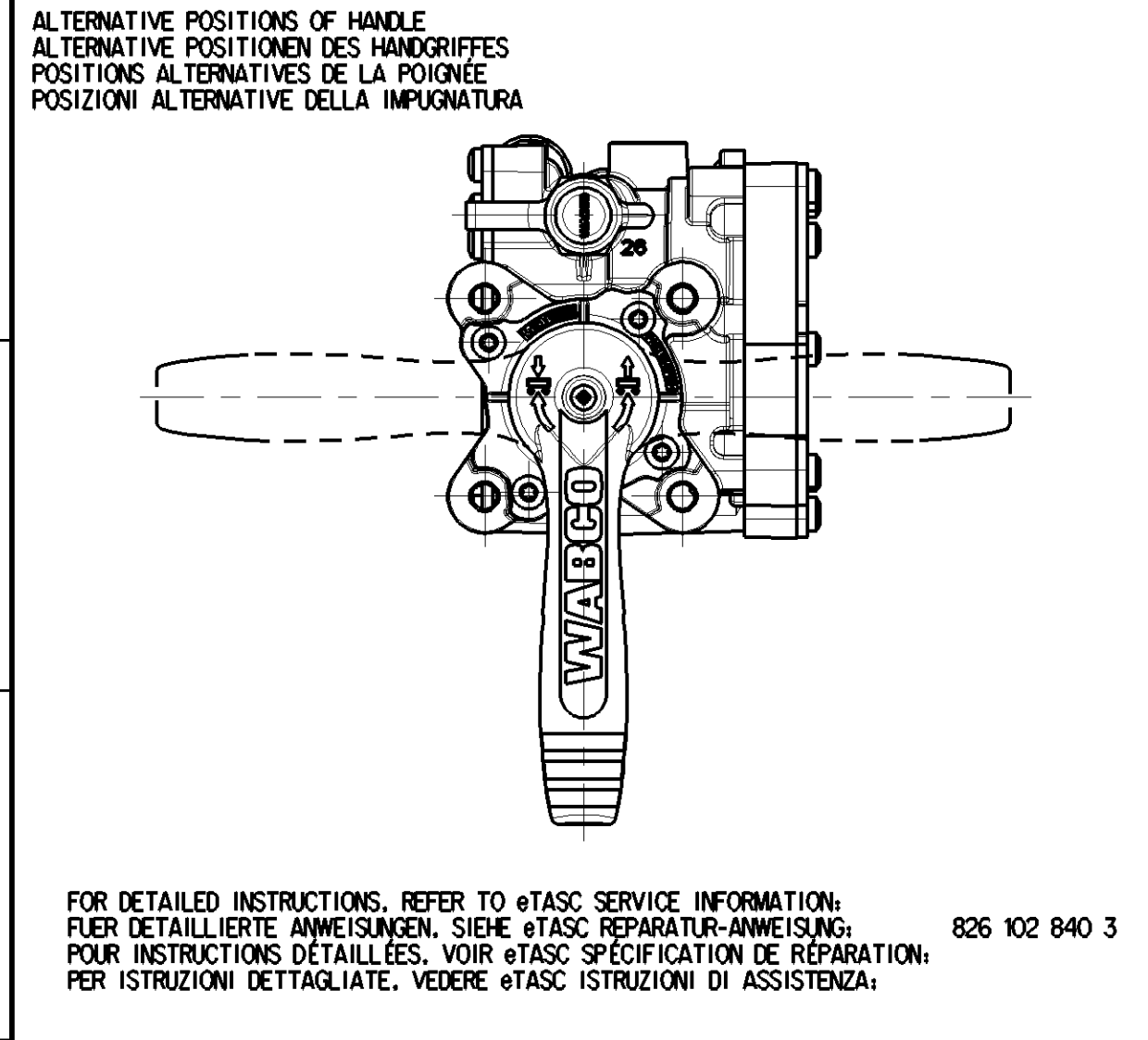


POSSIBLE MOUNTING POSITIONS
MOEGLICHE EINBAULAGEN
POSSIBLE POSITIONS DE MONTAGE
POSSIBILE POSIZIONI DI MONTAGGIO



MOUNTING BRACKET
BEFESTIGUNGSKONSOLE
SUPPORT DE FIXATION
SUPPORTO DI FISSAGGIO

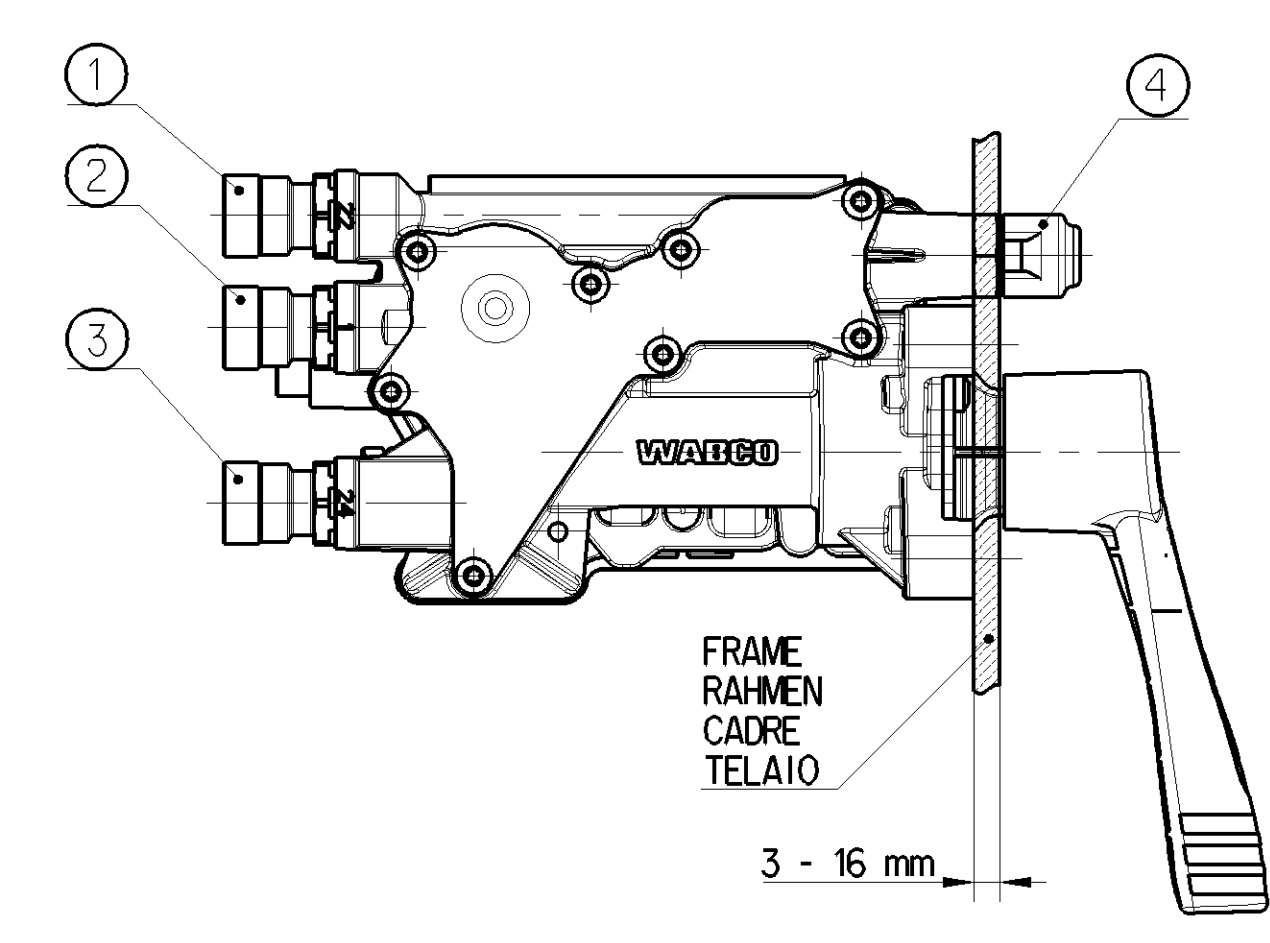
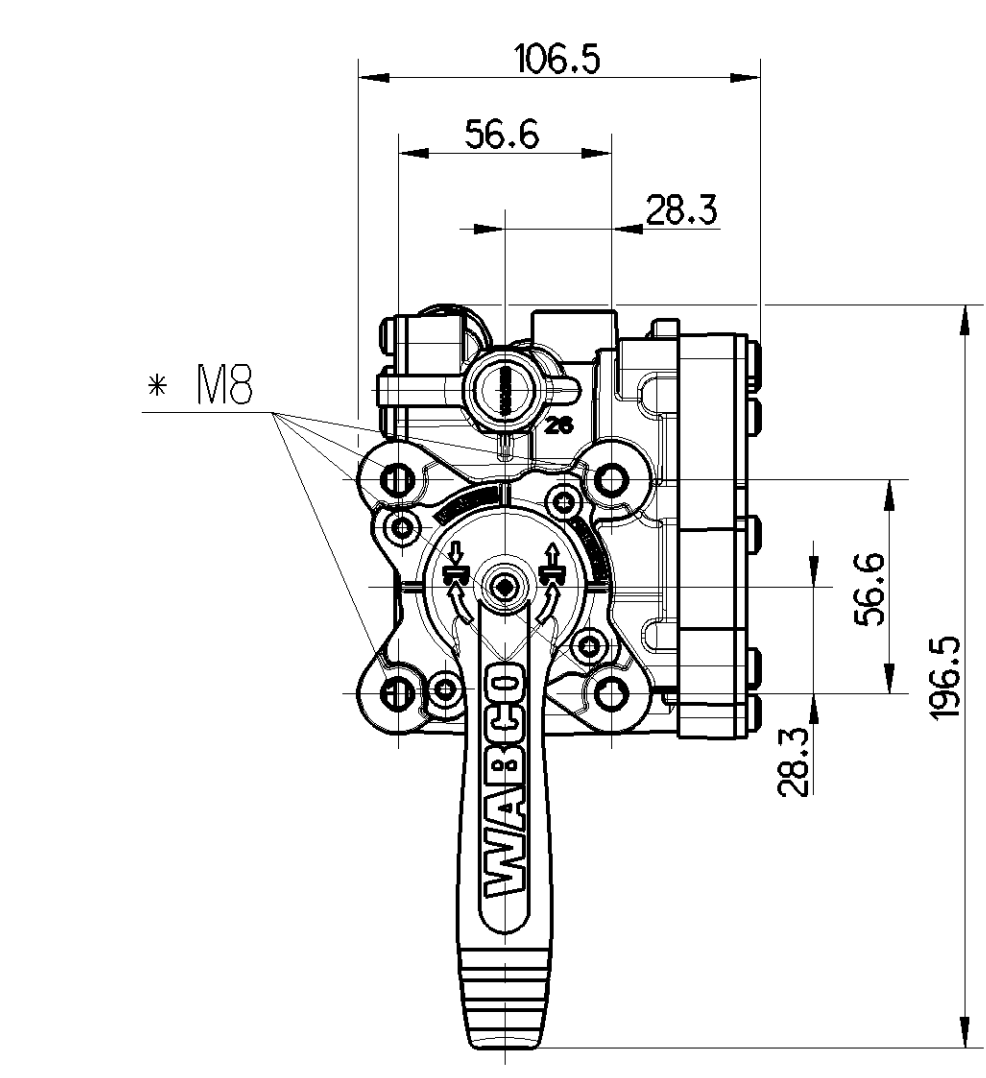
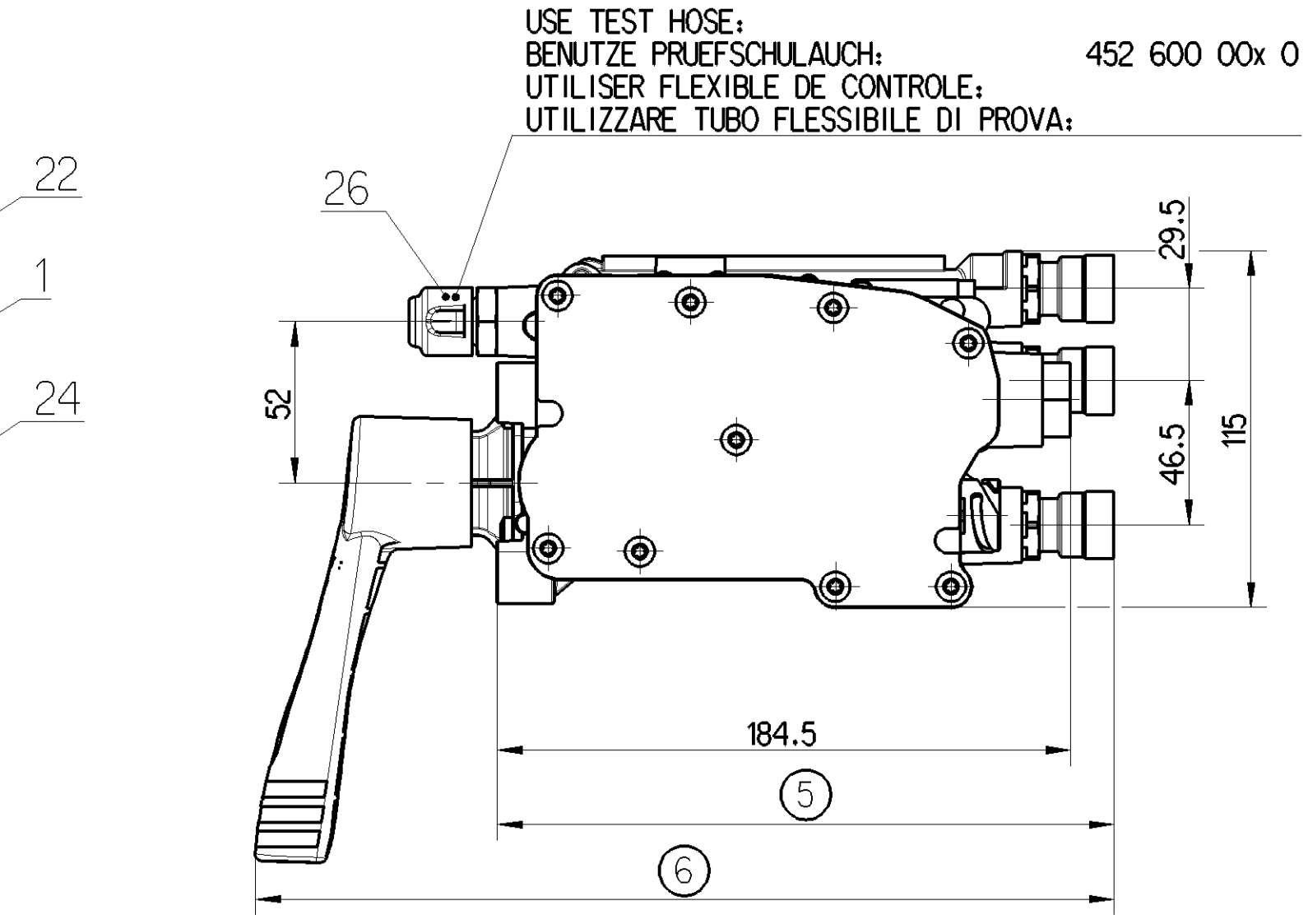
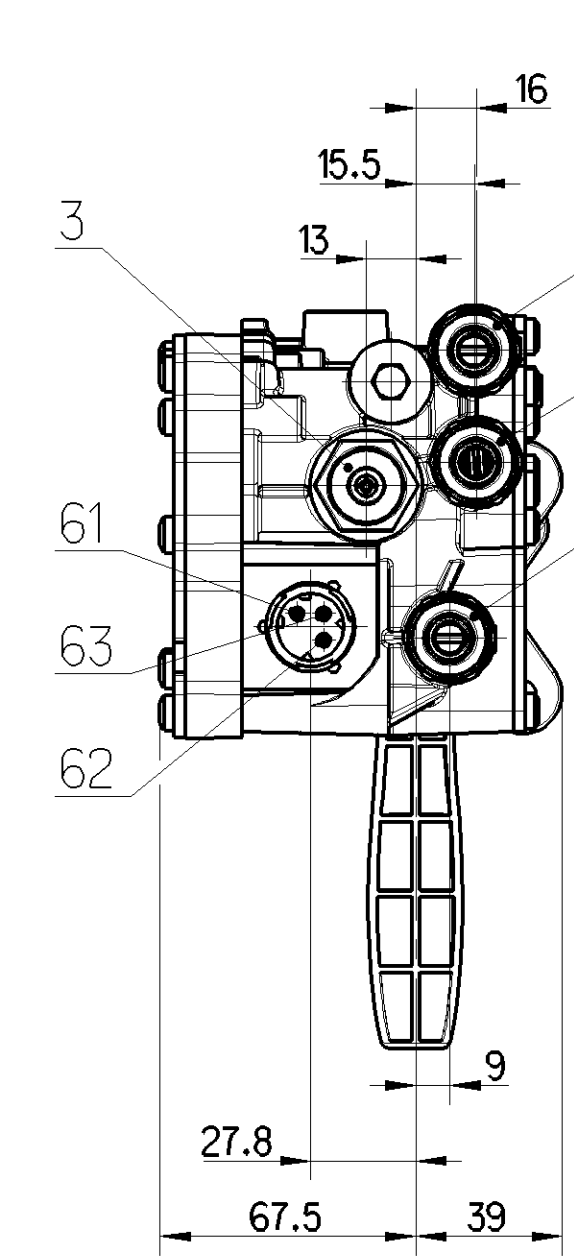
PORT ANSCHLUSS ORIFIZIO	FUNCTION FUNCTION FUNZIONE	THREAD GEWINDE FILETTATURA	FITTING, DIAMETER OF TUBE VERSCHRAUBUNG, ROHRDURCHMESSER RACCORD, DIAMETRO DEL TUBO	DEPTH OF INSERTION EINSTECKTIEFE DES ROHRES PROFONDEUR D'INSERTION PROFONDITA D'INTRODUZIONE
1	AIR SUPPLY LUFTVERSORGUNG ALIMENTATION D'AIR ALIMENTAZIONE D'ARIA	M16x1.5 (JED-152)	Ø8x1 Ø12x1.5	20.5 mm 25 mm
22	AIR SUSPENSION LUFTFEDERUNG SUSPENSION PNEUMATIQUE SOSPENSIONE PNEUMATICA	M16x1.5 (JED-152)	Ø8x1 Ø12x1.5	20.5 mm 25 mm
24	AIR SUSPENSION LUFTFEDERUNG SUSPENSION PNEUMATIQUE SOSPENSIONE PNEUMATICA	M16x1.5 (JED-152)	Ø8x1 Ø12x1.5	20.5 mm 25 mm
26	TEST CONNECTOR PRUEFANSCHLUSS FICHE DE CONTROLE SPINA DI PROVA	---	---	---
3	EXHAUST ENTLUEFTUNG ECHAPPEMENT SCARICO	---	---	---
61	ELECTRICAL CONTROL (MAGNET)	---	---	---
62	ELEKTRISCHER STEUERANSCHLUSS (MAGNET)	---	---	---
63	COMMANDE ELECTRIQUE (AIMANT) COMANDO ELETTRICO (MAGNETE)	---	---	---



ALTERNATIVE POSITIONS OF HANDLE
ALTERNATIVE POSITIONEN DES HANDGRIFFES
POSITIONS ALTERNATIVES DE LA POIGNEE
POSIZIONI ALTERNATIVE DELLA IMPUGNATURA

SYSTEM OPERATING VOLTAGE: 8-32V
SYSTEM-BETRIEBSSPANNUNG:
TENSION DE SERVICE DU SYSTEME:
TENSIONE DI ESERCIZIO DEL SISTEMA:

CONTROLLED ONLY BY WABCO TEBS-E.
KONTROLLIERT NUR DURCH WABCO TEBS-E.
CONTROLEE UNIQUEMENT PAR TEBS-E.
CONTROLLATO SOLO DA TEBS-E.



<1> SAFETY CHARACTERISTICS	0
<2> SIGNIFICANT CHARACTERISTICS	0
<3> CUSTOMER INTERFACE	0

MAXIMUM HANDLE TORQUE:
MAXIMALES DREHMOMENT AM HANDGRIF: 10 Nm
MAXIMUM POIGNEE COUPLE:
MASSIMA IMPUGNATURA COPPIA:

MAINTENANCE REQUIREMENTS: NONE
WARTUNGSANFORDERUNGEN: KEINE
ENTRETIEUN: NON
MANUTENZIONE: NON

SERVICE CONDITION: DISCONTINUOUS SERVICE ED 20% / 5min
BETRIEBSART: AUSSETZBETRIEB
CONDITION DU SERVICE: SERVICE DISCONTINUE
CONDIZIONE DI SERVIZIO: SERVIZIO DISCONTINUO

WORK MEDIUM: AIR (WATER, OIL AND ALCOHOL CONTAINING)
LUFT (WASSER, OEL UND ALKOHOL ENTHALTEN)
FLUIDE D'UTILISATION: AIR (D'EAU, D'HUILE ET ALCOOL CONTENANT)
FLUIDO DI ESERCIZIO: ARIA (ACQUA, OLIO E ALCOOL CONTENENTI)

WORKING ENVIRONMENT: AIR (WATER, SALT, DUST AND OIL CONTAINING)
UMGEBUNGSMEDIUM: LUFT (WASSER, SALZ, STAUB UND OEL ENTHALTEN)
FLUIDE AMBIANTE: AIR (D'EAU, SEL, POUSSIERE ET D'HUILE CONTENANT)
FLUIDO AMBIENTE: ARIA (ACQUA, SALE, POLVERE E OLIO CONTENENTI)

THERMAL RANGE OF APPLICATION: -40°C ... +65°C
THERMISCHER ANWENDUNGSBEREICH:
GAME D'APPLICATION TERMIQUE:
CAMPO DI APPLICAZIONE TERMICA:

WORK PRESSURE (SUPPLY): pe = 10 bar
BETRIEBSDRUCK (VORRAT):
PRESSION D'UTILIZATION (ALIMENTATION):
PRESSIONE DI ESERCIZIO (ALIMENTAZIONE):

TYPE OF PROTECTION ACC. TO DIN 40050: IP 6K/YK
SCHUTZART NACH DIN 40050:
MODE DE PROTECTION SUIVANT DIN 40050:
TIPO DI PROTEZIONE SECONDO DIN 40050:

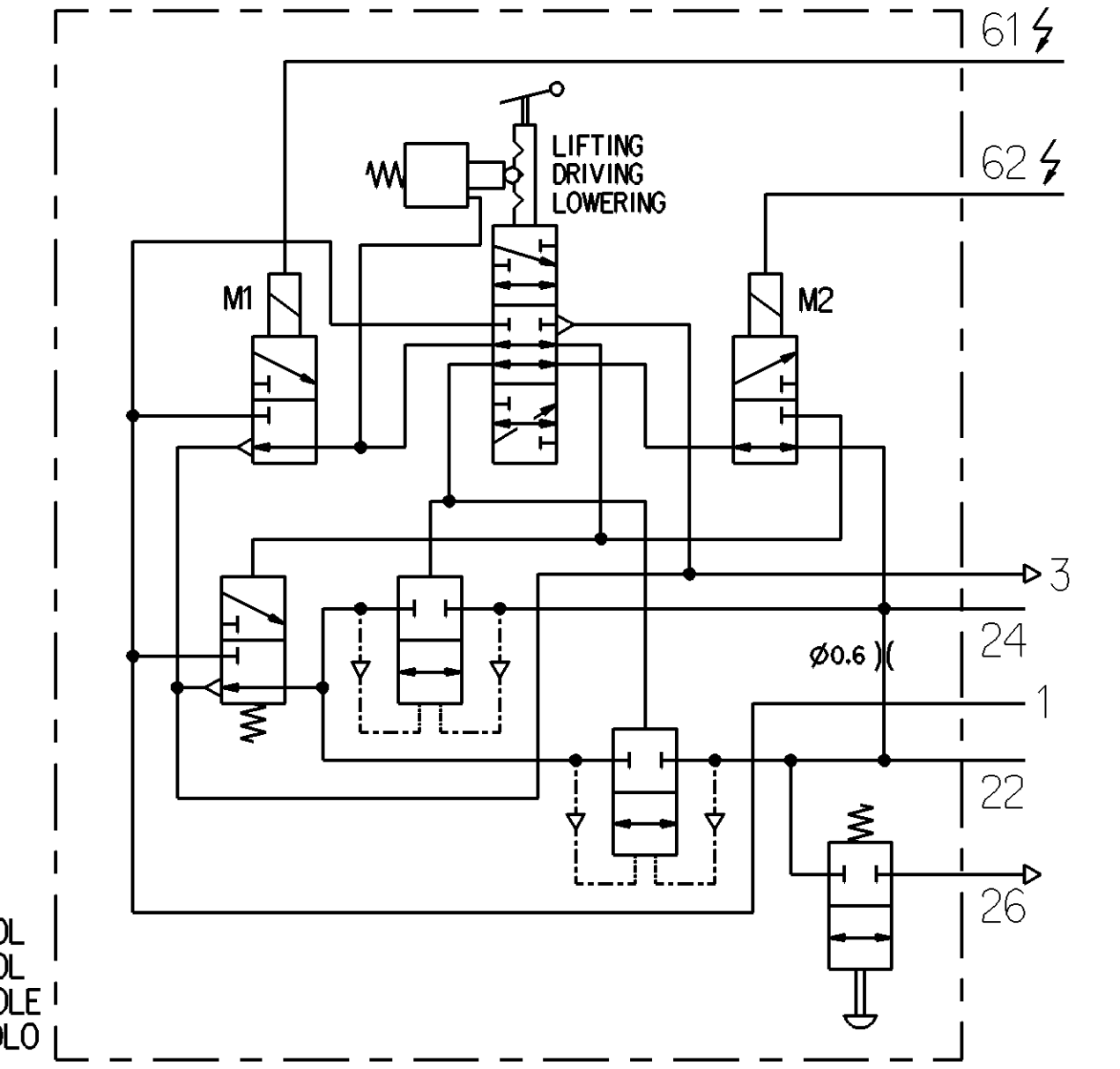
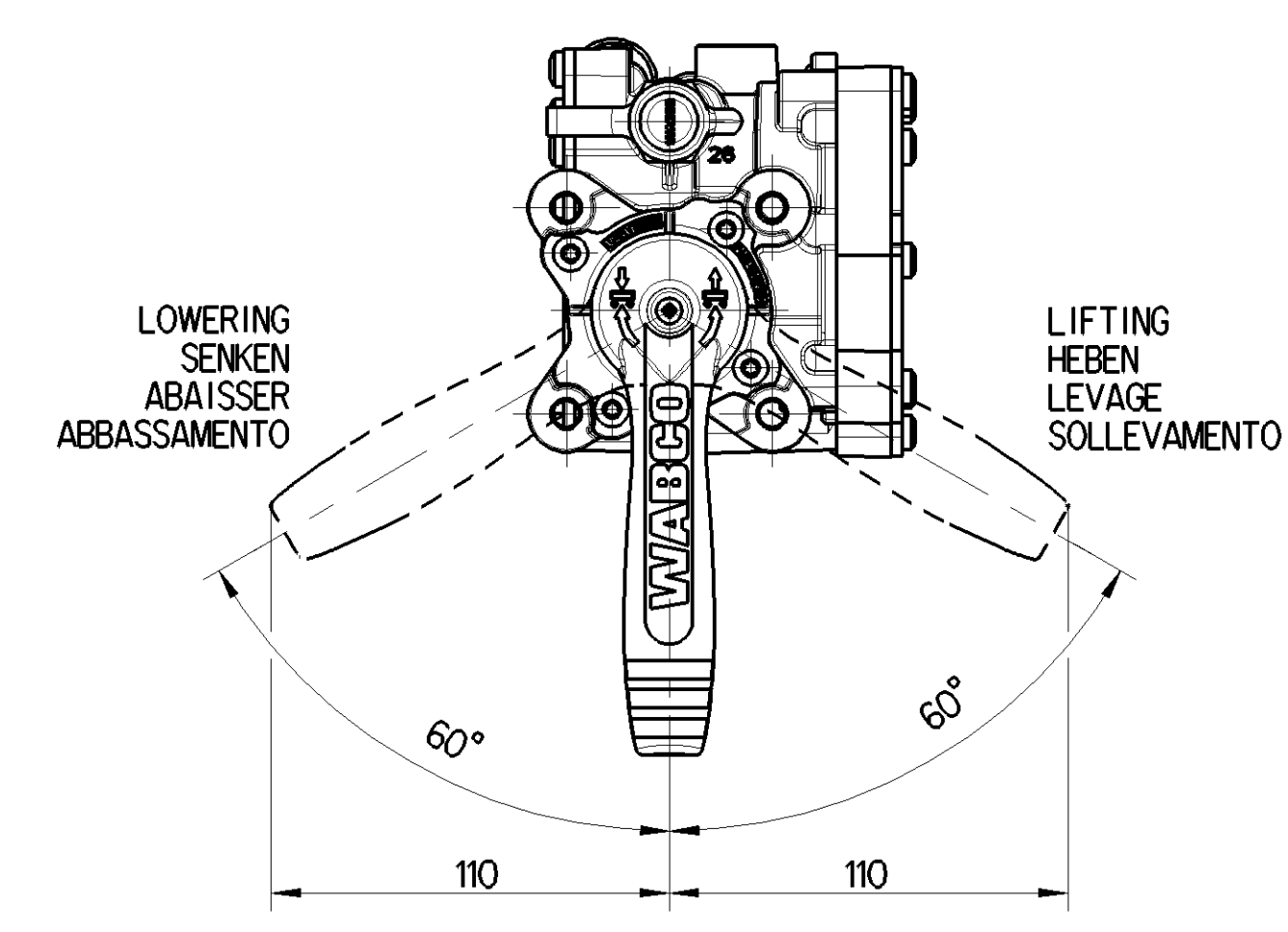
SECURITY AGAINST THE CONFUSING OF POLES: EXISTING
VERPÖLSICHERHEIT: VORHANDEN
DISPOSITIF DE TROMPEUR DE POLES: EXISTANT
SICUREZZA CONTRO L'INVERSIONE DEI POLI: ESISTENTE

PROTECTION CLASS: III
SCHUTZKLASSE:
CLASSE DE PROTECTION:
CLASSE DI PROTEZIONE:

SHORT TERM RESISTANCE TO HEAT: WITHOUT FUNCTION
KURZZEITIGE WAERMEBESTAENDIGKEIT: OHNE FUNKTION
RESISTANCE A LA CHALEUR A COURTE DUREE: SENZA FUNZIONE
RESISTENZA AL CALORE BREVE TEMPO SOLO:

MAXIMUM SCREW LENGTH MAXIMALE SCHRAUBENLAENGE LONGUEUR DE VIS MAXIMALE VITE LUNGHEZZA MASSIMA	FRAME THICKNESS RAHMENDICKE EPAISSEUR DU CADRE TELAIO SPESSORE
20 mm	3 - 6 mm
25 mm	7 - 11 mm
30 mm	12 - 16 mm

TORQUE FOR CONNECTIONS: ANZUGSMOMENT FUER EINSCHRAUBSTUTZEN: COUPLE DE SERRAGE DES RACCORDS: COPPIA DI SERRAGGIO DEI RACCORDI:	M16x1.5 -> M ₀ = 30 ± 5 Nm
* TORQUE FOR MOUNTING SCREW ANZUGSMOMENT FUER MONTAGESCHRAUBE COUPLE SERRAGE POUR VIS DE MONTAGE COPPIA DI SERRAGGIO PER VITE DI MONTAGGIO	M8 -> M ₀ = 10 ± 1 Nm



DEVICE NUMBER GERAETENUMMER NUMERO DE L'APPAREIL NUMERO DEL DISPOSITIVO	LOCKING IN LIFTING VERRUILLAGEN IM HEBEN VERROUILLAGE IN LEVAGE BLOCCA IN SOLLEVAMENTO	LOCKING IN LOWERING VERRUILLAGEN IM SENKEN VERROUILLAGE IN ABBASSEMBENT BLOCCA IN ABBASSAMENTO	FITTING NUMBER VERSCHRAUBUNGSNUMMER NUMERO DE RACCORD NUMERO DELL'RACCORDO	FITTING NUMBER VERSCHRAUBUNGSNUMMER NUMERO DE RACCORD NUMERO DELL'RACCORDO	FITTING NUMBER VERSCHRAUBUNGSNUMMER NUMERO DE RACCORD NUMERO DELL'RACCORDO	TEST CONNECTOR PRUEFANSCHLUSS FICHE DE CONTROLE SPINA DI PROVA	DIMENSION MASS DIMENSION DIMENSIONE	DIMENSION MASS DIMENSION DIMENSIONE	WEIGHT GEWICHT POIDS PESO
463 090 510 0	NO	NO	---	---	---	---	169 mm	247 mm	2.390 KG
463 090 505 0	NO	YES	BLIND PLUG	---	---	463 703 120 0	174.5 mm	252 mm	2.430 KG
463 090 504 0	NO	YES	893 800 002 2 (Ø12x1.5)	893 800 001 2 (Ø8x1)	893 800 002 2 (Ø12x1.5)	463 703 120 0	198.5 mm	276.5 mm	2.545 KG
463 090 503 0	YES	YES	---	---	---	463 703 120 0	169 mm	247 mm	2.400 KG
463 090 502 0	NO	YES	---	---	---	463 703 120 0	169 mm	247 mm	2.385 KG
463 090 501 0	NO	YES	893 800 001 2 (Ø8x1)	893 800 001 2 (Ø8x1)	893 800 001 2 (Ø8x1)	463 703 120 0	185.5 mm	263.5 mm	2.520 KG
463 090 500 0	NO	YES	893 800 002 2 (Ø12x1.5)	893 800 002 2 (Ø12x1.5)	893 800 002 2 (Ø12x1.5)	463 703 120 0	198.5 mm	276.5 mm	2.555 KG

General Specifications: ISO 8015, JED-334-1, Size ISO 14405 LP

Further Technical Data: 463 090 509 0

Doc. Code: 035 Sheet: 1 To 28

Copyright WABCO

Date: 2022-01-03

Signature: Piskoda

Checked: Szyzka

Material No.: 463 090 509 0

Date of first issue: 2002-03-21

Doc. Code: 005 ML 1/1

Revision: 2 x F

Techn. Resp.: 5015

Replacement for: 509629

Scale: 1:2

1:1

Size: CAD System

Class 1) ±0.5

Class 2) ±1

Class 3) ±1.5

Class 4) ±2

Class 5) ±3

Class 6) ±4

Class 7) ±5

Class 8) ±6.5

Class 9) ±8

Class 10) ±10

Class 11) ±12.5

Class 12) ±16

Class 13) ±20

Class 14) ±25

Class 15) ±32

Class 16) ±40

Class 17) ±50

Class 18) ±63

Class 19) ±80

Class 20) ±100

Class 21) ±125

Class 22) ±160

Class 23) ±200

Class 24) ±250

Class 25) ±315

Class 26) ±400

Class 27) ±500

Class 28) ±630

Class 29) ±800

Class 30) ±1000

Class 31) ±1250

Class 32) ±1600

Class 33) ±2000

Class 34) ±2500

Class 35) ±3150

Class 36) ±4000

Class 37) ±5000

Class 38) ±6300

Class 39) ±8000

Class 40) ±10000

Class 41) ±12500

Class 42) ±16000

Class 43) ±20000

Class 44) ±25000

Class 45) ±31500

Class 46) ±40000

Class 47) ±50000

Class 48) ±63000

Class 49) ±80000

Class 50) ±100000

Class 51) ±125000

Class 52) ±160000

Class 53) ±200000

Class 54) ±250000

Class 55) ±315000

Class 56) ±400000

Class 57) ±500000

Class 58) ±630000

Class 59) ±800000

Class 60) ±1000000

Class 61) ±1250000

Class 62) ±1600000

Class 63) ±2000000

Class 64) ±2500000

Class 65) ±3150000

Class 66) ±4000000

Class 67) ±5000000

Class 68) ±6300000

Class 69) ±8000000

Class 70) ±10000000

Class 71) ±12500000

Class 72) ±16000000

Class 73) ±20000000

Class 74) ±25000000

Class 75) ±31500000

Class 76) ±40000000

Class 77) ±50000000

Class 78) ±63000000

Class 79) ±80000000

Class 80) ±100000000

Class 81) ±125000000

Class 82) ±160000000

Class 83) ±200000000

Class 84) ±250000000

Class 85) ±315000000

Class 86) ±400000000

Class 87) ±500000000

Class 88) ±630000000

Class 89) ±800000000

Class 90) ±1000000000

Class 91) ±1250000000

Class 92) ±1600000000

Class 93) ±2000000000

Class 94) ±2500000000

Class 95) ±3150000000

Class 96) ±4000000000

Class 97) ±5000000000

Class 98) ±6300000000

Class 99) ±8000000000

Class 100) ±10000000000

1) Tolerance Class Applied Crossmarked