

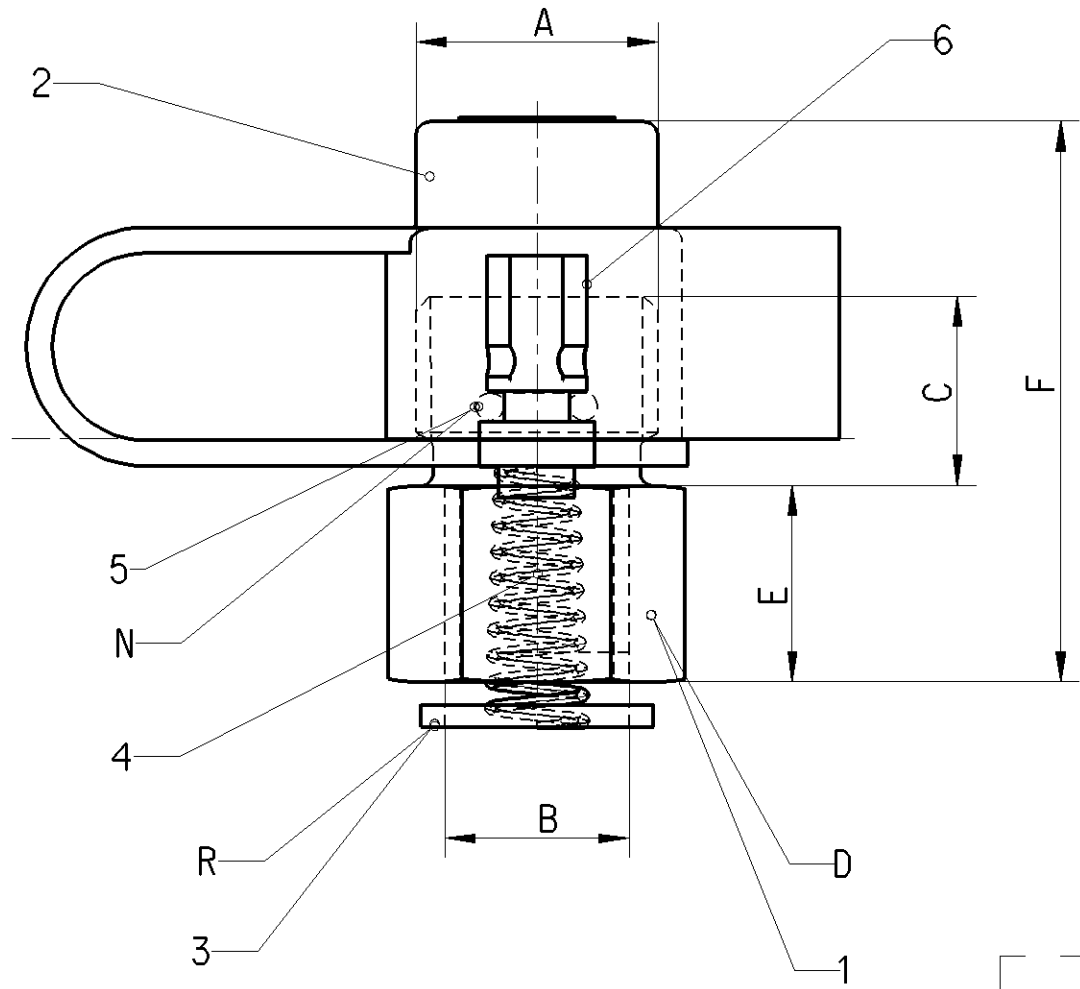
Non e permesso consegnare a terzi o riprodurre questo documento, ne utilizzare il contenuto o renderlo comunque noto a terzi senza autorizzazione esplicita. Ogni infrazione costituirà un evidente abuso e comporterà il risarcimento dei danni subiti. E' fatta riserva di tutti i diritti derivanti da brevetti o modelli.

Toute communication ou reproduction de ce document, toute exploitation ou communication de son contenu sont interdites, sauf autorisation expresse. Tout manquement a cette regle constitue un abus evident et expose son auteur au versement de dommages et interets. Tous droits de propriete industrielle reserves, notamment en matiere de brevets et de modesles.

Copying of this document and giving it to others and the use or communication of the contents thereof, are forbidden without express authority. Contrivention of this restriction will constitute an evident abuse and result in a liability to the payment of damages. All rights are reserved in the event of the grant of patent or registration of a utility model or design. This document is the subject of copyright.

Weitergabe sowie Vervielfaeligung dieser Unterlage, Verwertung und Mitteilung ihres Inhalts nicht gestattet, soweit nicht ausdruecklich zugestanden. Zuwiderhandlungen stellen einen offensichtlichen Missbrauch dar und verpflichten zu Schadenersatz. Alle Rechte fuer den Fall der Patenterteilung oder Gebrauchsmuster-Eintragung vorbehalten.

1	2	3	4	5	6	7	8
A	B	C	D	E	F	G	N
M16x1,5	M12x1,5	~12,5	Hex.17	~13	~37		O-Ring ~ 4x2
							IS08434-1
							Ring DIN703 A12x15,5



- ① Material : CuZn
Surface Protection : gal Zn CrVI free
- ② Material : JED-045M1
- ③ Material : Cu
- ④ Material : Spring Steel
- ⑤ Material : NBR
- ⑥ Material : Delrin

INVALID REPLACED BY:
463 703 116 0 Code:005 of 2017-05-26

General Specification: JED-334-0		Copyright WABCO®		WABCO			
Further Technical Data:		Date	Signature				
Doc. Code:	Sheet: To	Drawn		Test Fitting Pruefanschluss Distributeur			
General Tolerances JED-261		2017-05-26	Balaga				
Range of Nominal Dimensions (± mm)		Checked					
		2017-05-26	Szczutkowski				
		Expert		Date of first issue: 2009-12-07			
		Maertin					
		Mass	Scale				Material No.
		0.038 KG		463 703 521 2			
		Size	CAD System	Doc. Code		Language	Sheet
		A 3	Pro/E	005	ML	1/1	
Tapped Holes acc.		ECN-No.		Revision		Techn. Resp.	
1) Tolerance Class Applied Crossmarked		173739		A		5791	
		Replacement for					

dw: 4637033212_005 / Version: - / date: 2 / mdi: 4637035212_A02

100mm