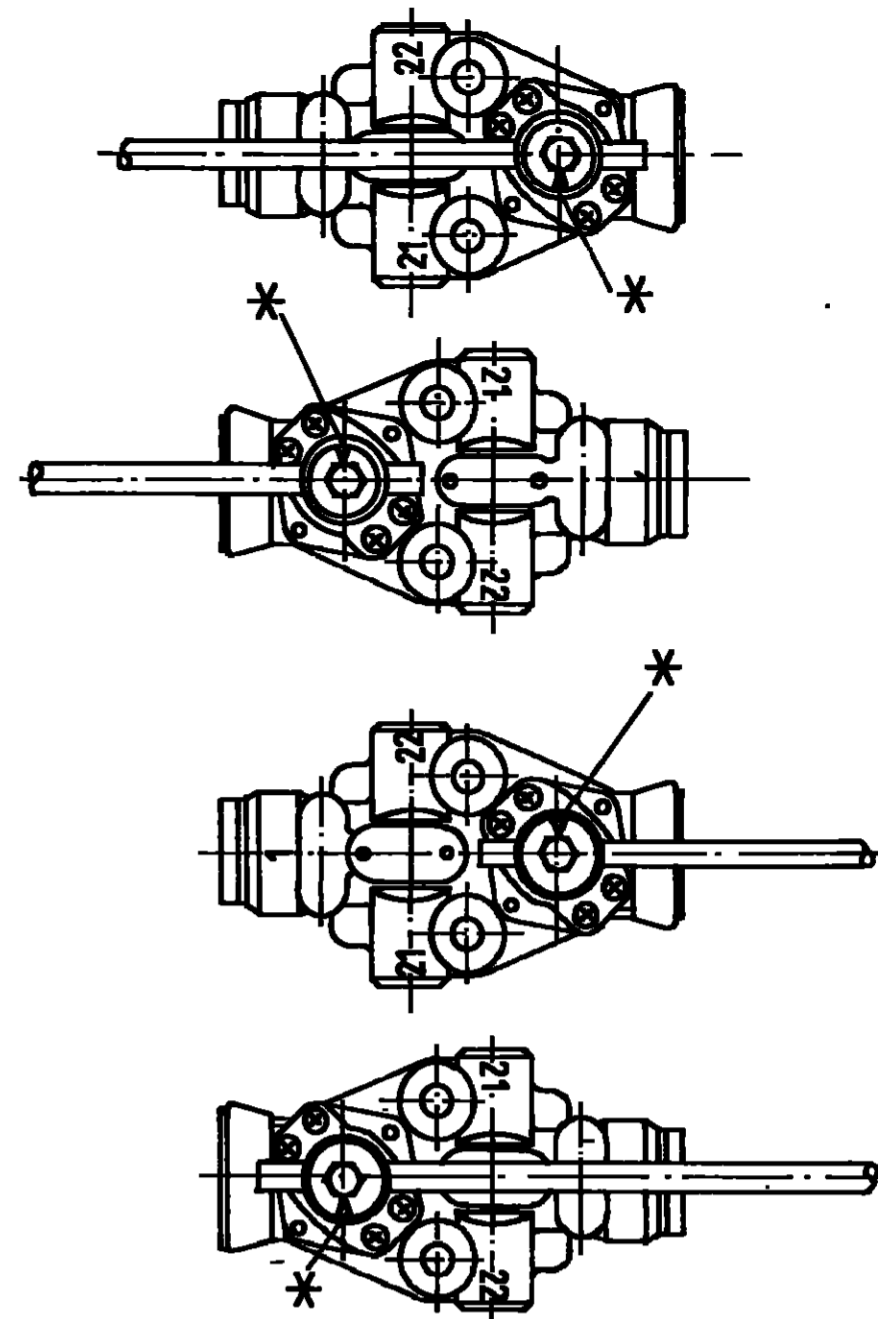


PRESSURIZING  
BELUEFTEND  
NORMALEMENT FERME  
NORMALMENTE CHIUSO

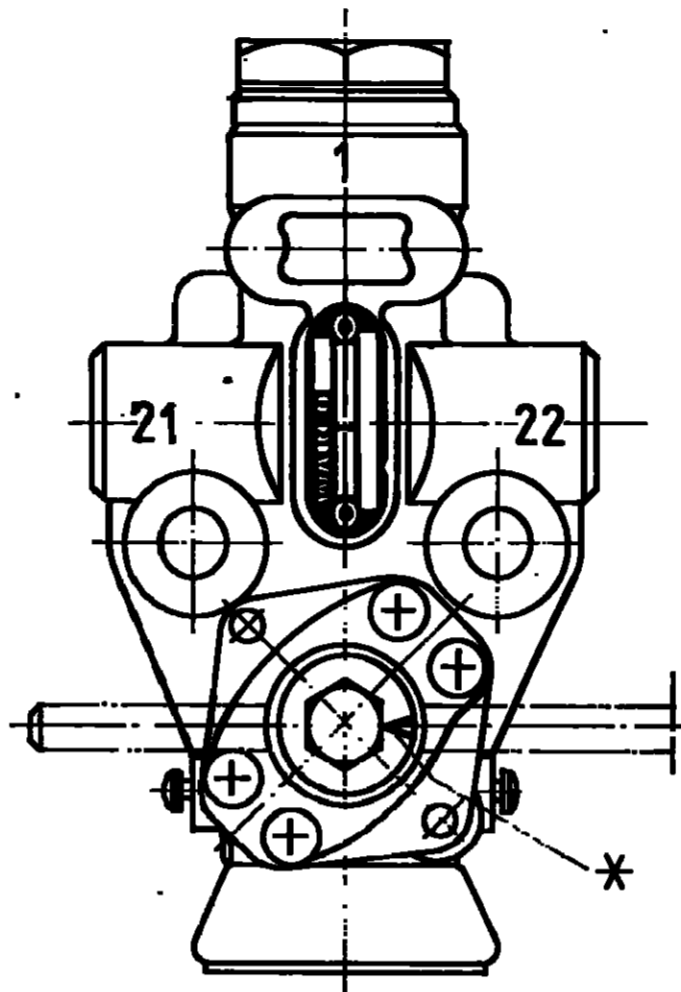
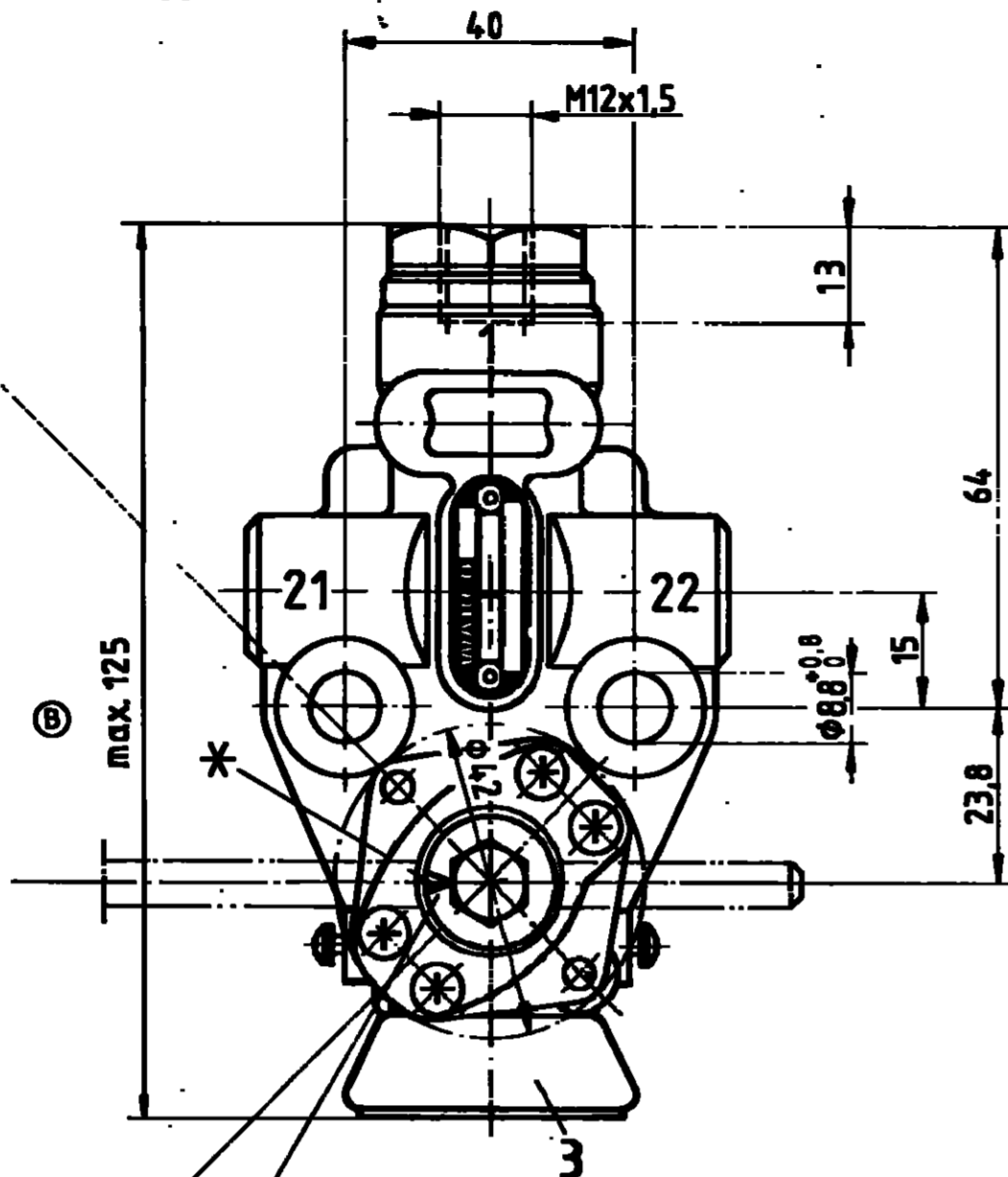
CONNECTION OF THE VALVE ON FOUR SIDES POSSIBLE  
TURN LEVER CORRESPONDINGLY. RESP. TO COMMUTATE  
ANLENKUNG DES VENTILS VIERSEITIG MOEGLICH  
STANGE DEMENTSPRECHEND UMSCHWENKEN BZW. UMSTECKEN  
LIAISON SUR LA VALVE POSSIBLE DES QUATRE COTES  
ORIENTER LA BARRE EN TOURNANT CONFORMEMENT.  
ACCOPIAMENTO DELLA VALVOLA POSSIBILE DALLE QUATRO  
PARTI PER ORIENTARE LA LEVA GIRARE CONFORME.



\* OBSERVE THE MARK ON THE SHAFT  
MARKIERUNG AUF DER WELLE BEACHTEN  
OBSERVER LA MARQUE SUR L' ABRE  
OSSERVARE IL SEGNO SULL' ALBERO

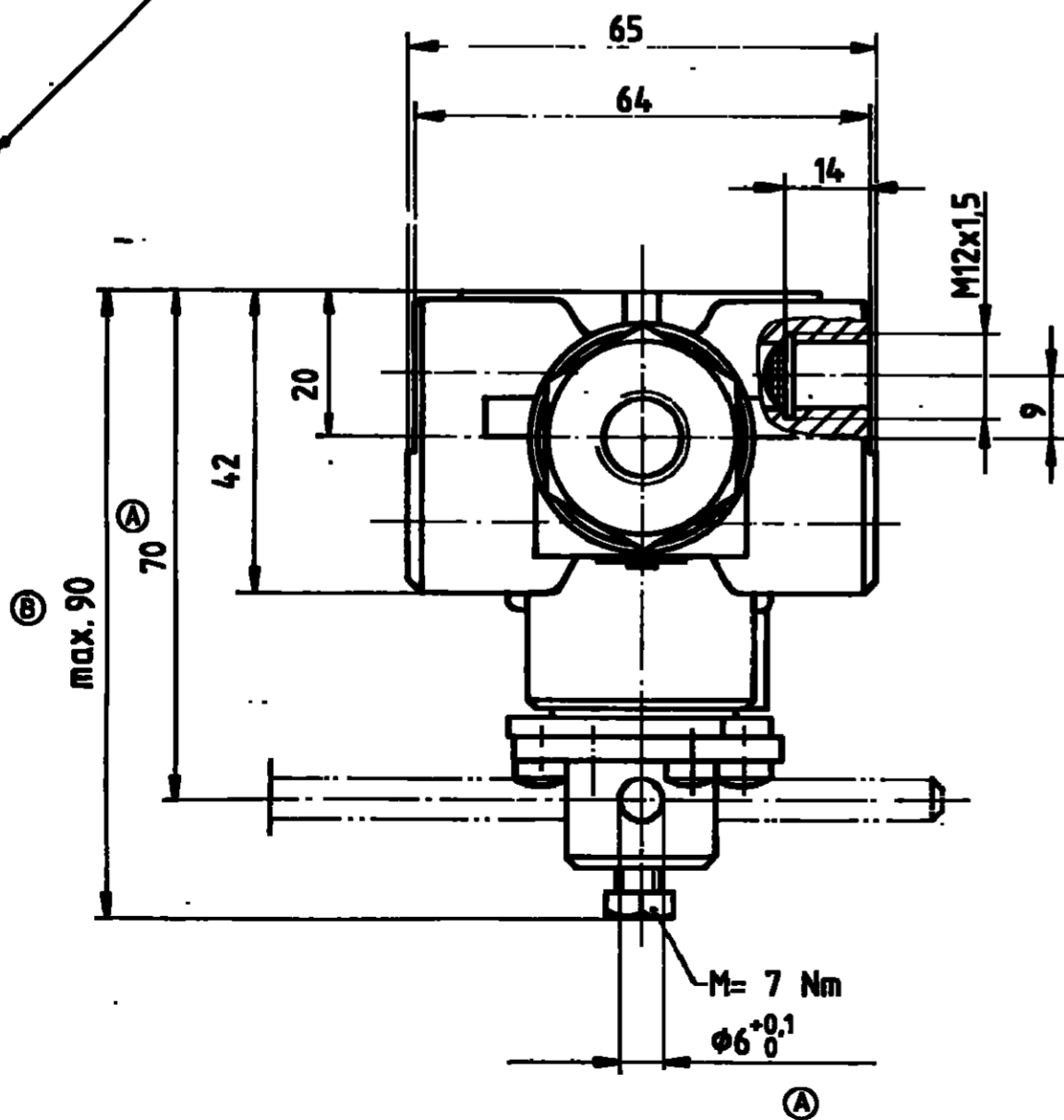
WORKING RANGE  
ARBEITSBEREICH  
PLAGE DE TRAVAIL  
CAMPO DI LAVORO

EXHAUSTING  
ENTLUEFTEND  
ECHAPPEMENT  
SCARICO

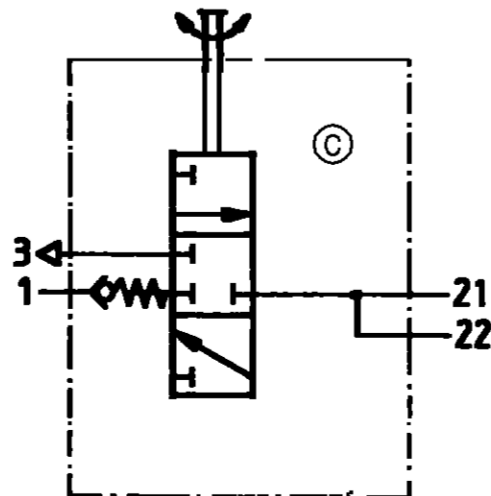


POSITION OF ASSEMBLY  
MONTAGESTELLUNG  
POSITION DE ASSEMBLAGE  
POSIZIONE DI MONTAGGIO

FIXING OF THE VALVE IN CLOSED POSITION AT  $\approx 7$  bar RESERVOIR PRESSURE AND  $\approx 3$  bar PRESSURE IN THE BELLOW BY A PIN OF  $\phi 4h8$  OR A PARALLEL PIN  $\phi 4h8 \times 20$  DIN 7.  
FIXIERUNG DES VENTILES IN ABSCHLUSSTELLUNG BEI  $\approx 7$  bar VORRATSDRUCK UND  $\approx 3$  bar BALGDRUCK MITTELS DORN  $\phi 4h8$  ODER ZYL.-STIFT  $\phi 4h8 \times 20$  DIN 7.  
FIXATION DE LA VALVE EN POSITION FERMEE SOUS  $\approx 7$  bar PRESSION DANS LEE RESERVOIR ET  $\approx 3$  bar DANS LE COUSSIN PAR UN TIGE DE  $\phi 4h8$  OU UNE GOUPILLE CYLINDRIQUE  $\phi 4h8 \times 20$  DIN 7.  
FISSAGGIO DELLA VALVOLA IN POSIZIONE CHIUSA PER  $\approx 7$  bar PRESSIONE NEL SEBRATOIO E  $\approx 3$  bar PRESSIONE NEL SOFFIETTO PER UNA SPINA DI  $\phi 4h8$  O UNA SPINA CILINDRICA  $\phi 4h8 \times 20$  DIN 7.



- SUPPLY  
ENERGIEZUFLUSS VOM VORRAT  
ALIMENTATION  
ALIMENTAZIONE
- 1
- DELIVERY  
21 ENERGIEABFLUSS IN DIE ARBEITSLEITUNG  
22 UTILISATION  
MANDATA
- EXHAUST  
3 ANSCHLUSS, ATMOSPHAERE  
ECHAPPEMENT  
SCARIO



FURTHER TECHNICAL DATA SEE		L	COPYRIGHT BY WABCO		WABCO
IDENTIFICATION No 464 002 530 0		K	DATE	SIGNATURE	
CODE FOR DOCUMENT 605 SHEET 2/3/4 TO 4		J	90-05-03	<i>[Signature]</i>	LEVELLING VALVE VALVE DE NIVELLEMENT VALVOLA LIVELLATRICE LUFTFEDERVENTIL
GENERAL TOLERANCES		H	90-05-03	<i>[Signature]</i>	
CLASS	RANGE OF NOMINAL DIMENSIONS (in mm)				TAPPED HOLES ACC. ISO 4039
	CLASS A				
	II	1	2	3	
I	0.5	1	1.5	2	657076 2x B 95-04-20
III	2	3.5	5	6.5	45462 2xA 90-07-27
TOLERANCE CLASS APPLIED CROSSMARKED		D	90-05-23	<i>[Signature]</i>	MASS SCALE
		E	90-05-23	<i>[Signature]</i>	0.55 kg 1:1
		F			464 002 530 0
		G			605 1/4
		H			564
		J			
		K			
		L			

Vertical text on the left margin containing technical specifications and legal notices in multiple languages.