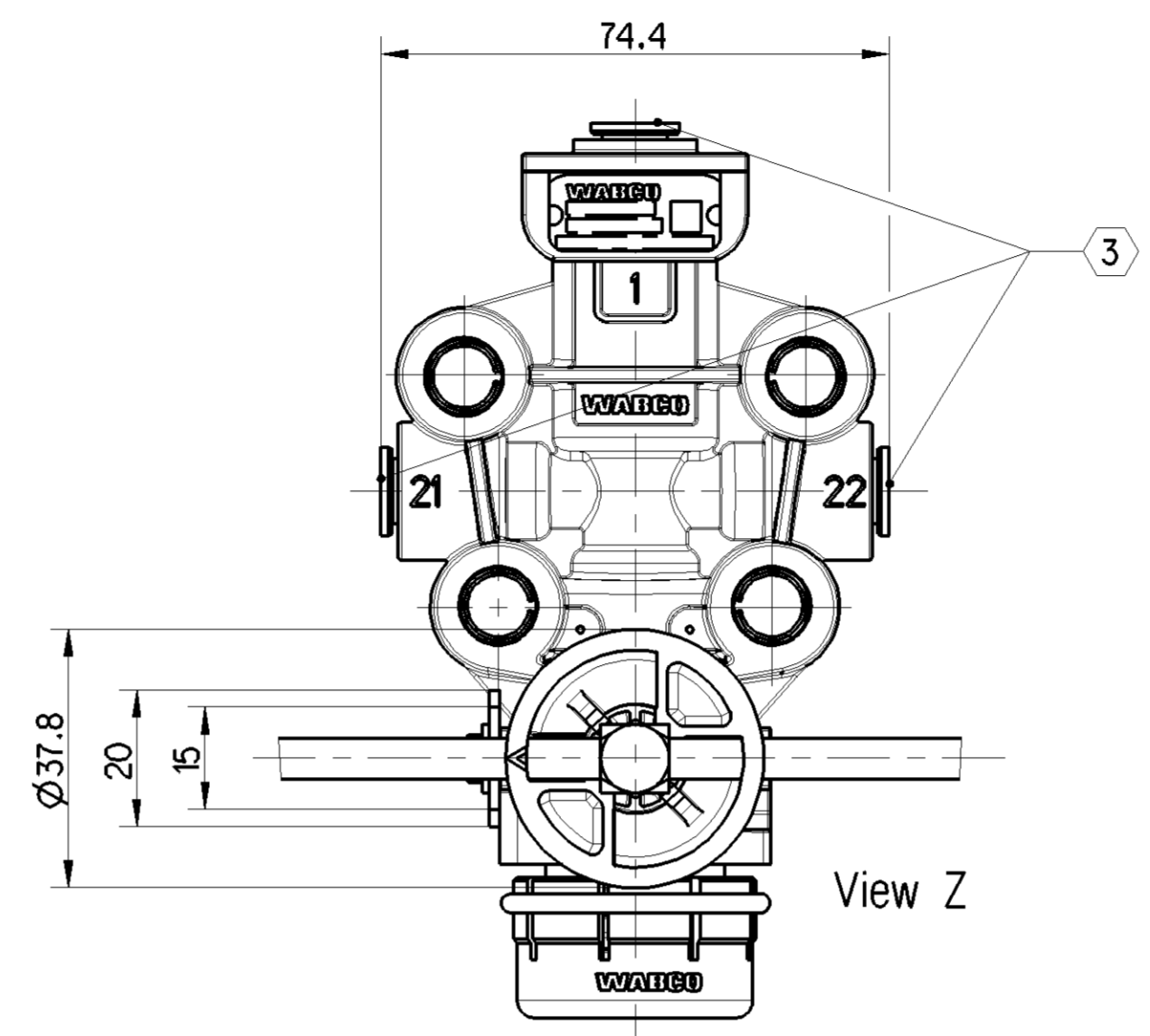
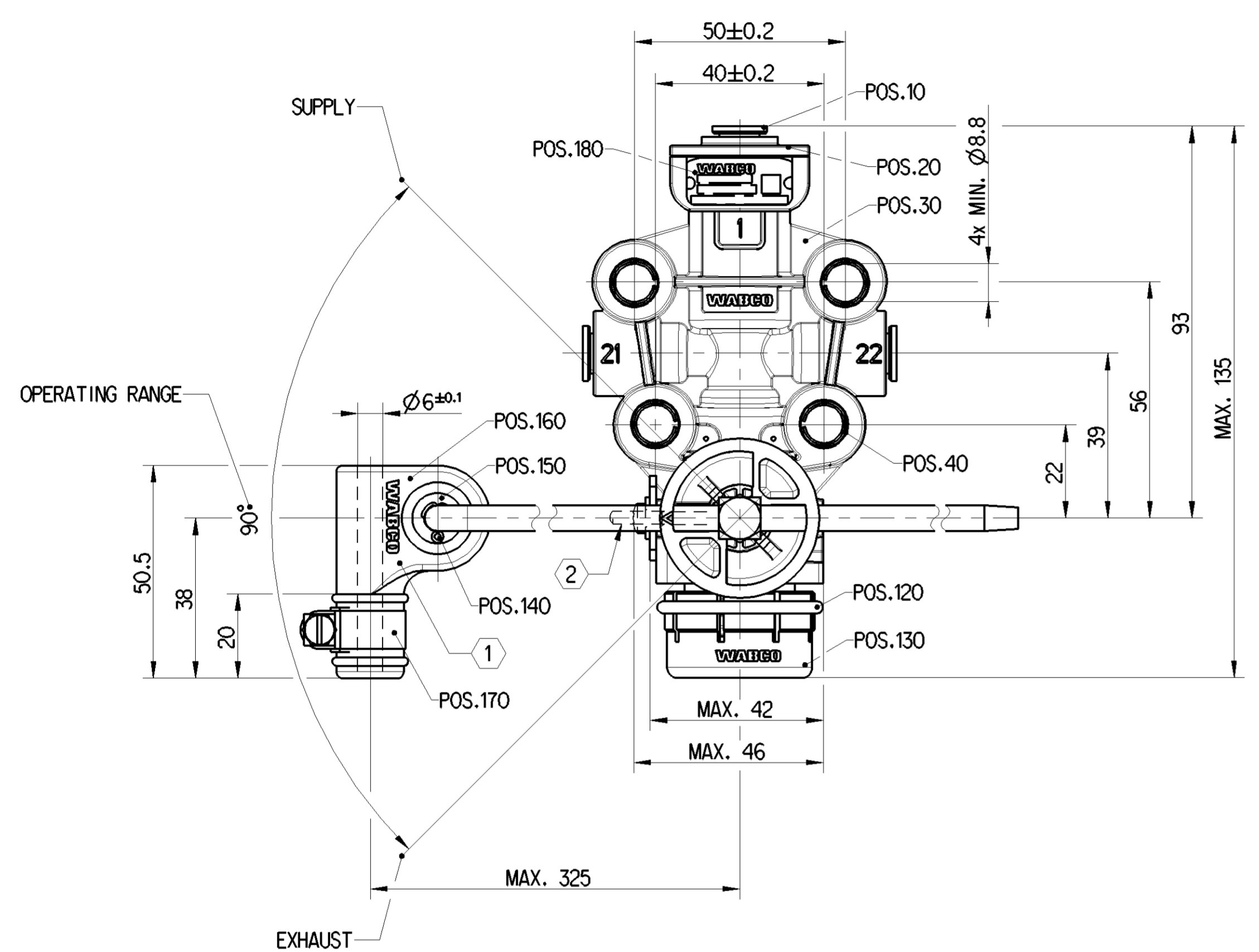
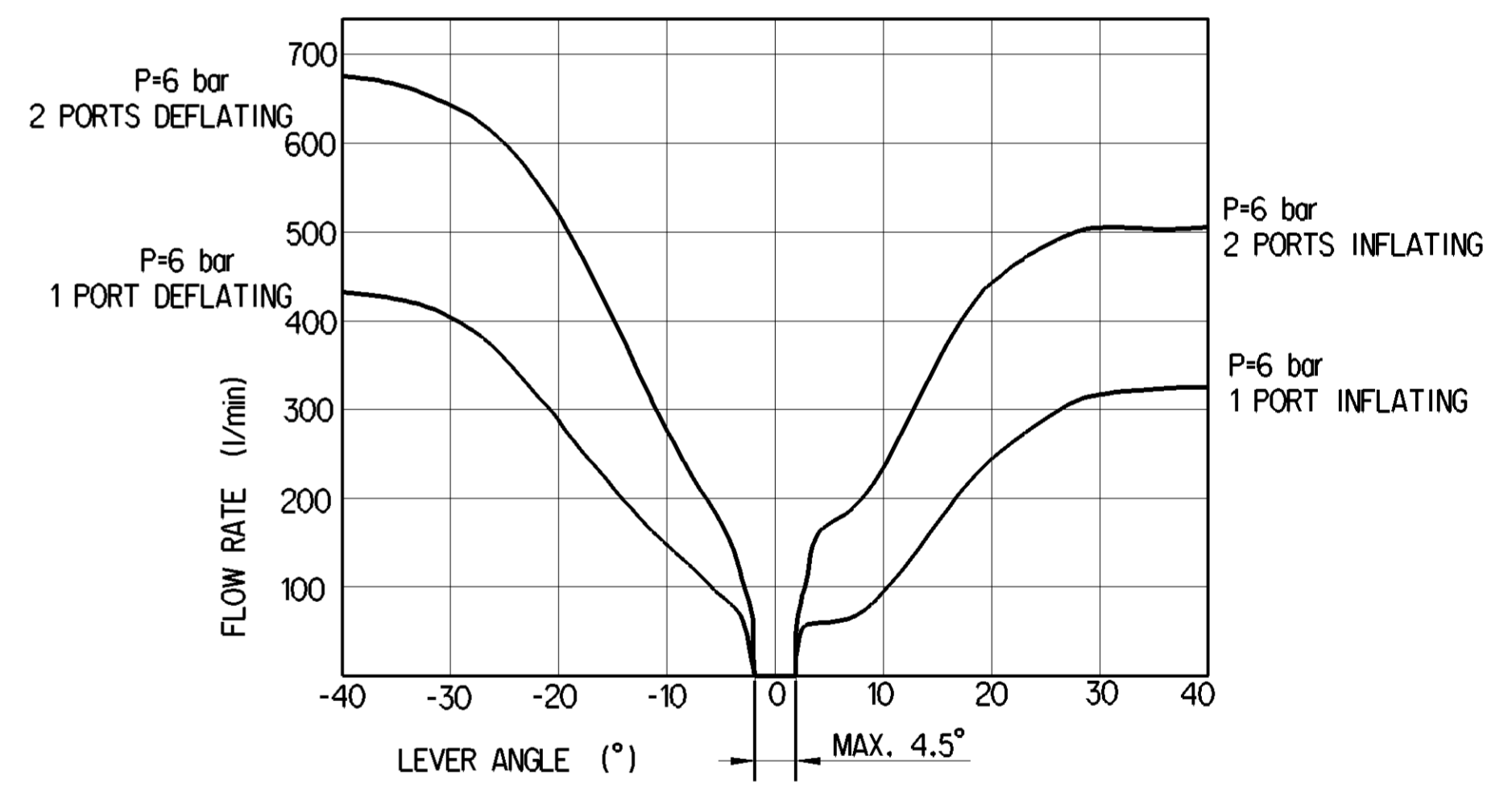
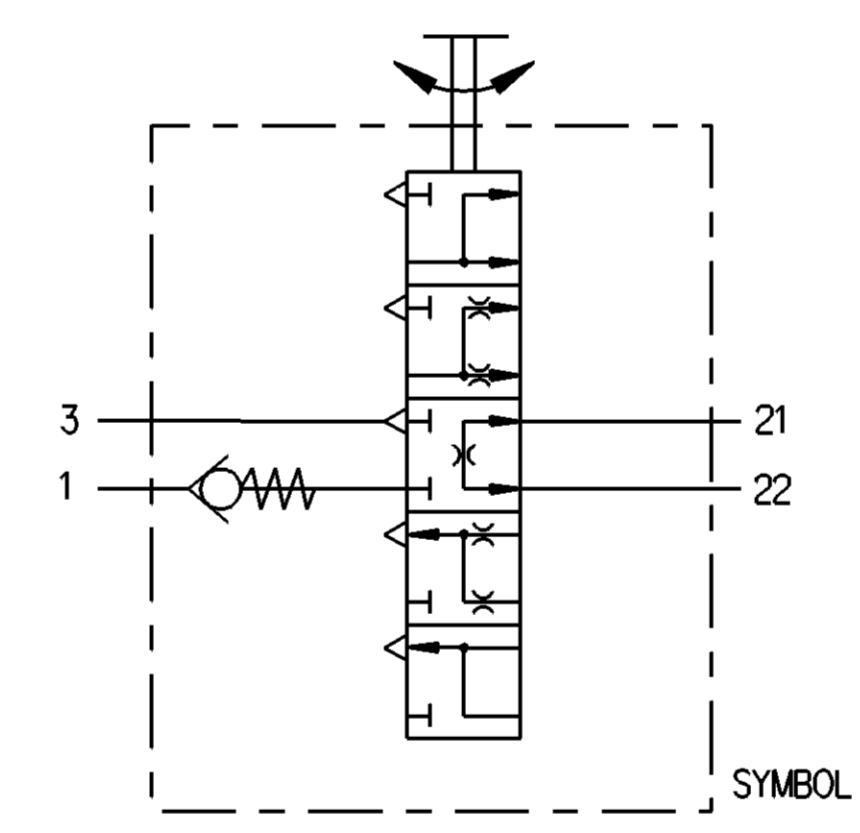
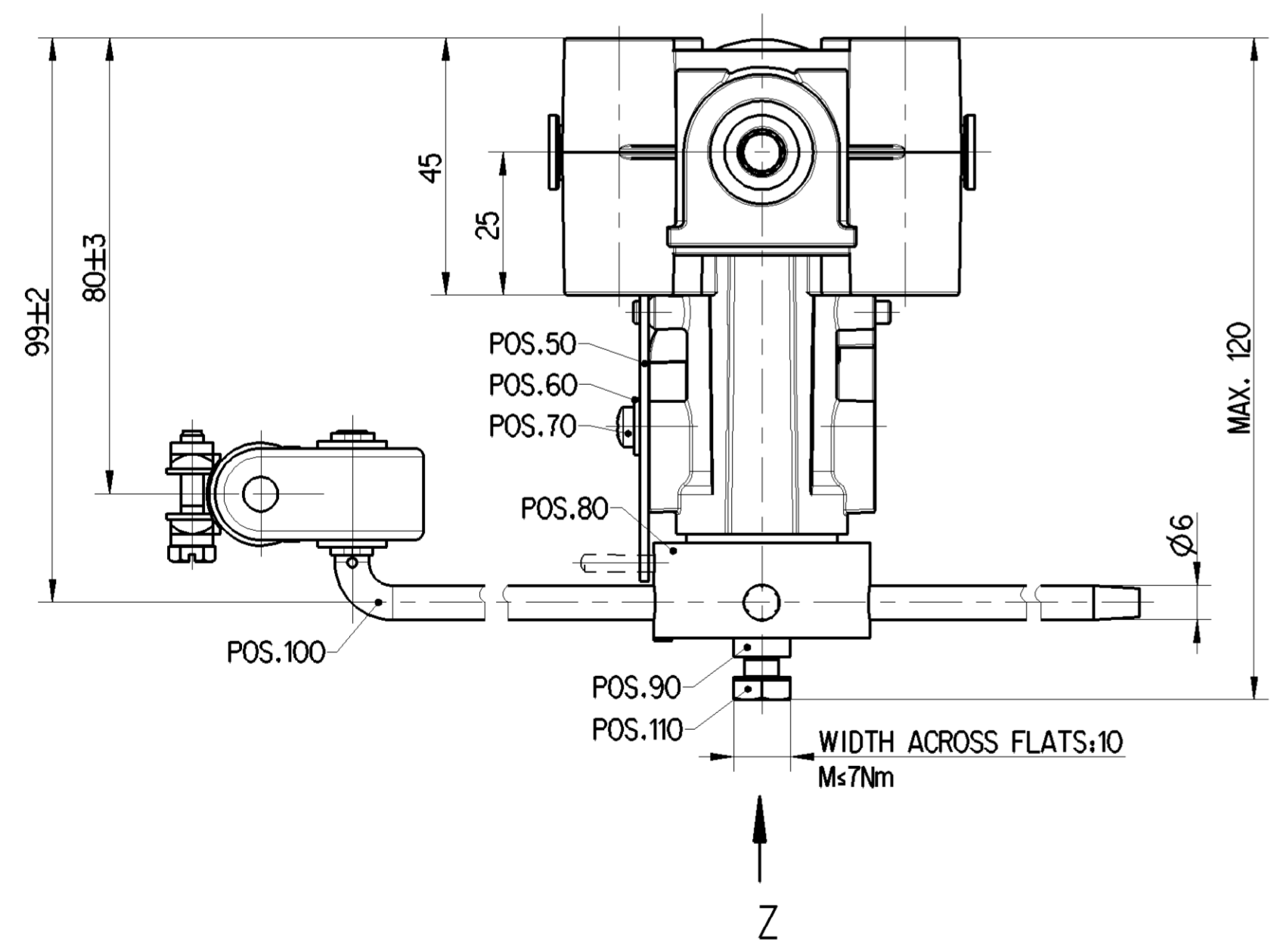


<1> SAFETY CHARACTERISTICS	0
<2> SIGNIFICANT CHARACTERISTICS	0
<C1> CUSTOMER INTERFACE	0



WORKING MEDIUM	AIR (CONTAINING WATER, DUST AND OIL)
AMBIENT ENVIRONMENT	AIR (CONTAINING WATER, DUST AND OIL)
THERMAL RANGE OF APPLICATION	-40...+80 °C
SHORT TERM RESISTANCE TO HEAT	MAX. 1h AT 110 °C
WORKING PRESSURE	MAX. 13 bar
DYNAMIC BELLOWS PRESSURE	MAX. 20 bar
NOMINAL DIAMETER	MIN. 7.1mm ² Ø3mm PER DELIVERY
① INSTALLATION POSITION	VERTICAL
② ORIENTATION OF THE VALVE ON VERTICAL AND ±45° FROM VERTICAL POSSIBLE TURN RESP. CHANGE LEVER	OBSERVE THE POSITION OF THE POSITIONING PIN BORE FIXING OF THE VALVE IN CLOSED POSITION AT ≥7bar RESERVOIR PRESSURE AND ≤3bar PRESSURE IN THE BELLOWS BY A PIN OF Ø3h8 OR A PARALLEL PIN Ø3h8 DIN7
③ PUSH TO FIT CONNECTORS FOR PIPE Ø8x1 PIPE ENGAGEMENT LENGTH FROM CONNECTOR TOP SURFACE SHOULD BE 18±1 mm	
PORT DESIGNATION	1 SUPPLY OF ENERGY 21, 22 DELIVERY OF ENERGY 3 EXHAUST OF ENERGY
TIGHTENING TORQUE FOR MOUNTING BOLTS	MAX. 25Nm



POS	DESIGNATION	NORM	MATERIAL	SURFACE PROTECTION
10	CARTRIDGE	-	PA 6.6	-
20	CONNECTING PIECE	JED-534	PA 6.6	-
30	BODY	JED-534	PA 6.6	-
40	SLOTTED SPRING PIN	JED-048	STEEL	JED-378-3 (ZN/AL)
50	ADJUSTING PLATE	JED-060	STEEL	JED-256-0 (ZN/AL)
60	WASHER	-	STEEL	JED-256-1 (ZN/AL)
70	SCREW	JED-051	STEEL	JED-739-4 (ZN-NI)
80	SHAFT	JED-005	POM	-
90	CLAMP	JED-022	STEEL	JED-271
100	ROD	JED-020	STEEL	JED-256-4 (ZN/AL)
110	HEXAGON HEAD SCREW	JED-051	STEEL	JED-739-4 (ZN-NI)
120	SNAP RING	JED-050	STEEL	-
130	PROTECTION COVER	JED-354	PA 6.6	-
140	SPLIT PIN	-	STEEL	JED-256-0 (ZN/AL)
150	PLAIN WASHER	-	STEEL	JED-256-0 (ZN/AL)
160	JOINT	JED-288	RUBBER	-
170	HOSE CLAMP	-	STEEL	JED-256-5 (ZN/AL)
180	NAME PLATE	JED-077	ALUMINIUM	-

General Specifications: ISO 9015, JED-334-1, Size ISO 14406 LP
Further Technical Data: 464 006 599 0

Doc. Code: 035 Sheets: 1 To 35

General Tolerances JED-261
Range of nominal dimensions in mm

Class	1) ≤ 50	2) > 50 ≤ 180	3) > 180 ≤ 400	4) > 400
Fine	±0.5	±1	±1.5	±2
Medium	X ±1	±2	±3	±4
Coarse	±2	±3.5	±5	±6.5

Dimensions in mm
Mass Scale: 0.388 kg 1:1
Size CAD System: A 1 CREO

Copyright WABCO®
Date: 2022-06-22
Signature: Baloga
Checked: Szyzka

Material No.: 464 006 500 0
Date of first issue: 2016-06-03
Doc. Code: 510833 Language: EN Sheet: 1/1
Revision: 3 x C
Tech. Resp.: 5641WIN
Prepared for: 894 014 934 0

Tutti i diritti sono riservati. È vietata espressamente la ristampa o l'uso non autorizzato senza permesso scritto dalla WABCO. Tutti i diritti sono riservati. È vietata espressamente la ristampa o l'uso non autorizzato senza permesso scritto dalla WABCO. All rights reserved. No part of this document may be reproduced or transmitted in any form or by any means electronic or mechanical, including photocopying and recording, or by any information storage or retrieval system, without prior written permission from WABCO.