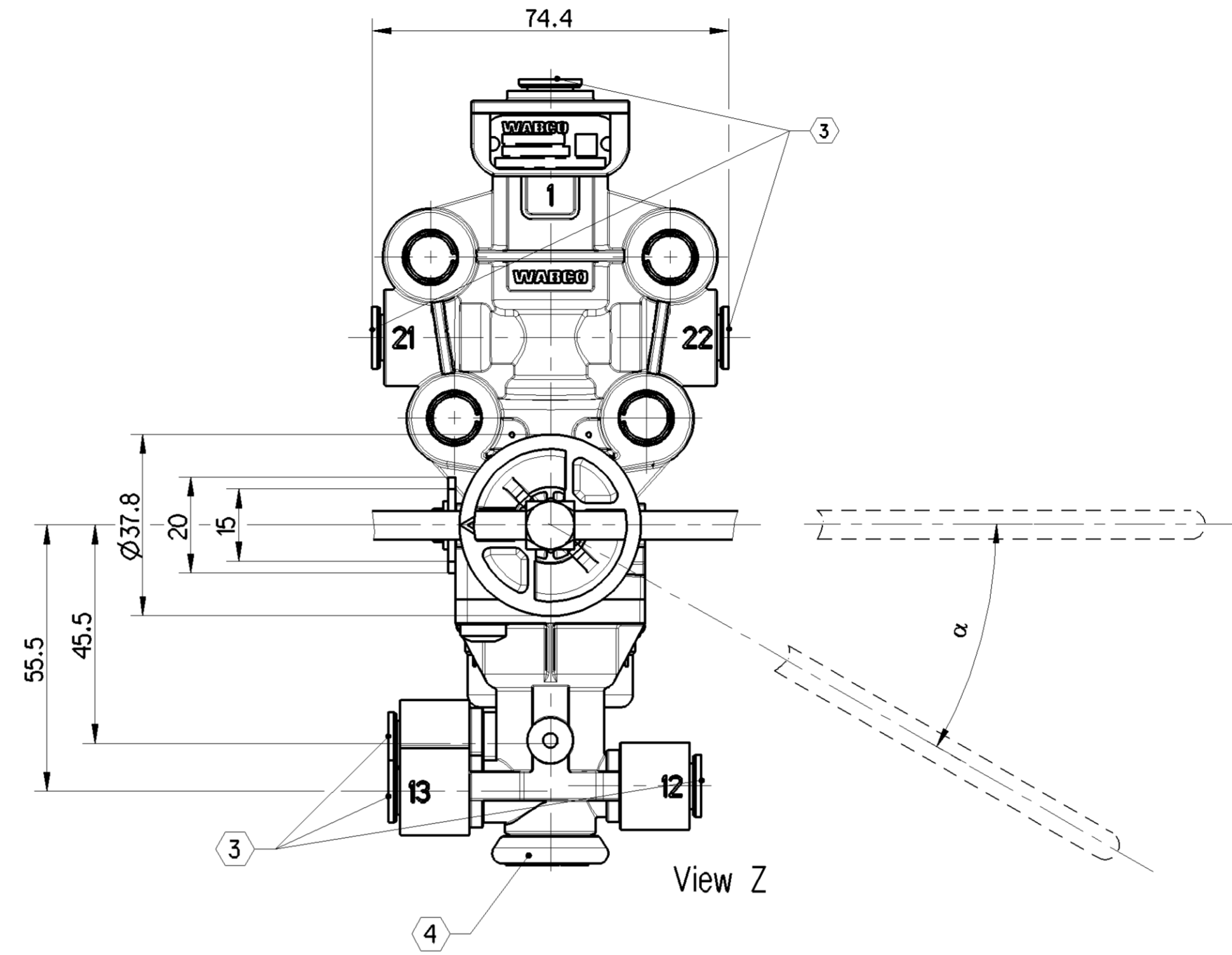
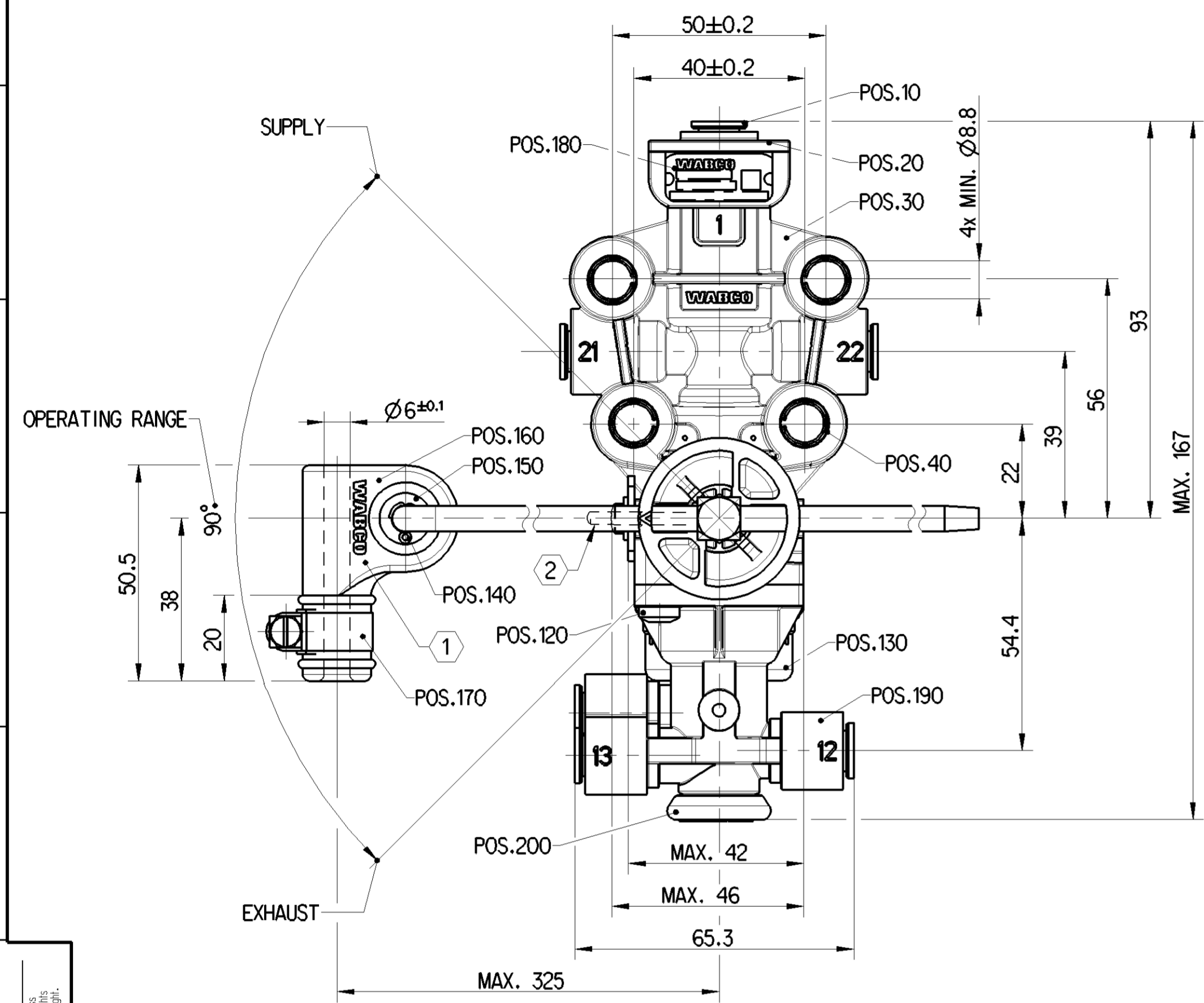
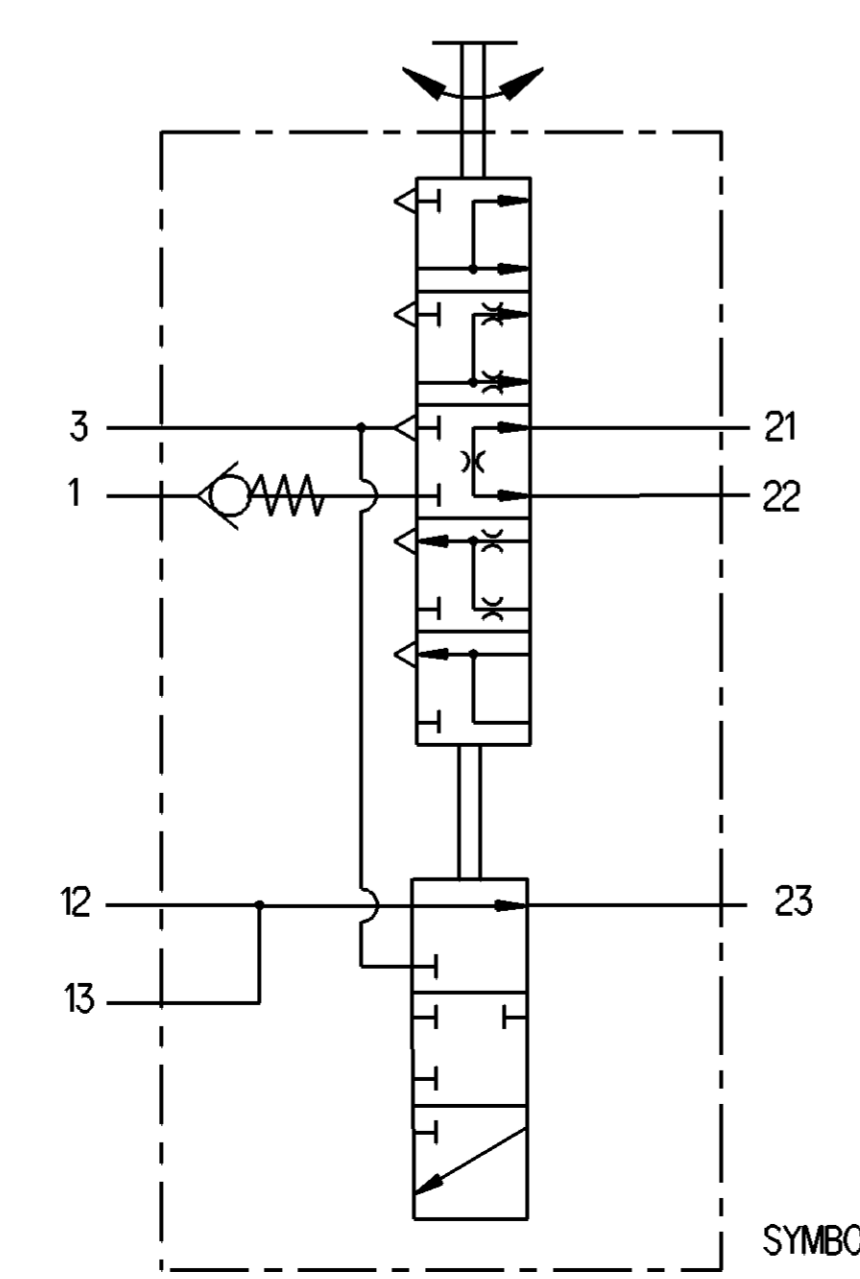
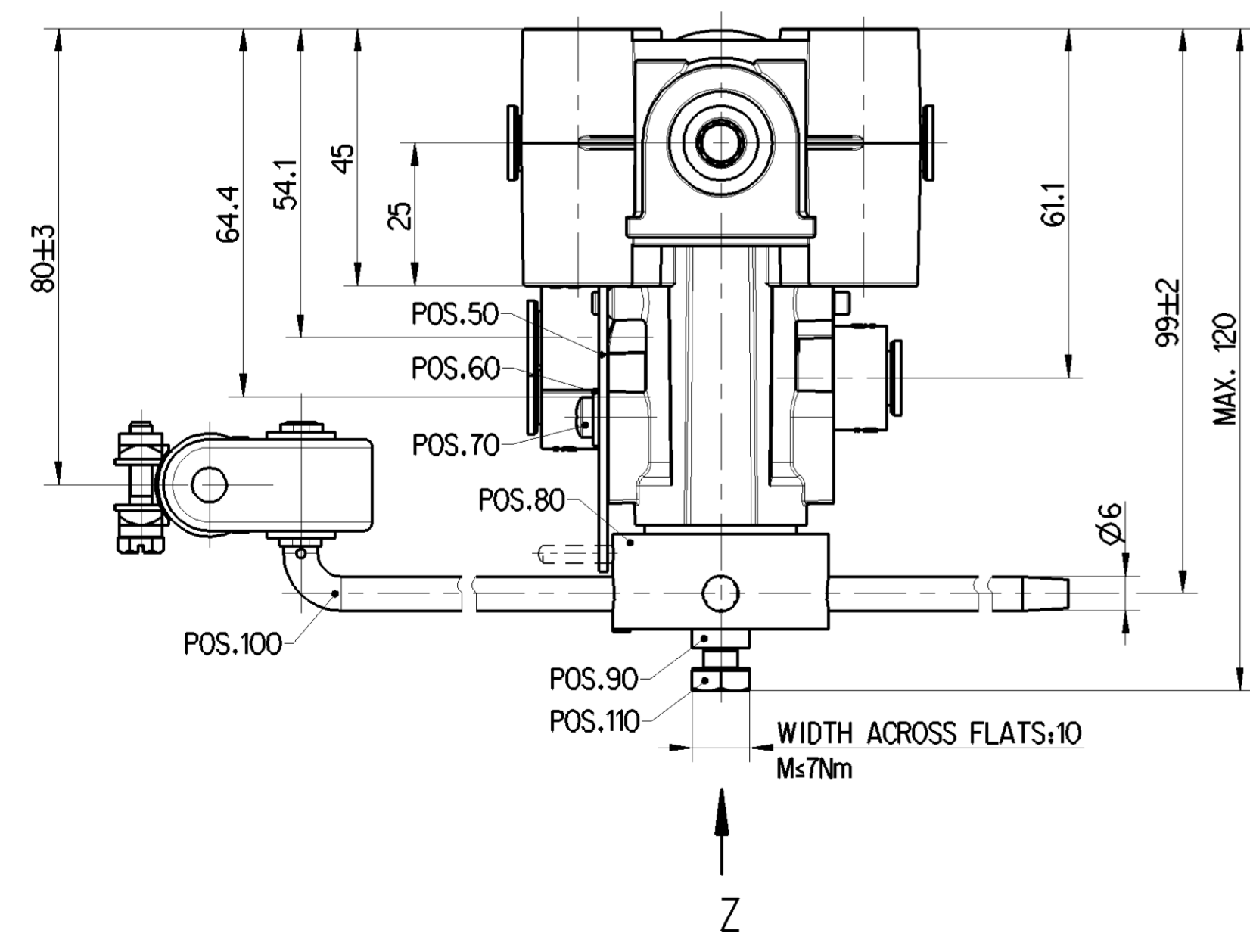


SAFETY CHARACTERISTICS	0
SIGNIFICANT CHARACTERISTICS	0
CUSTOMER INTERFACE	0

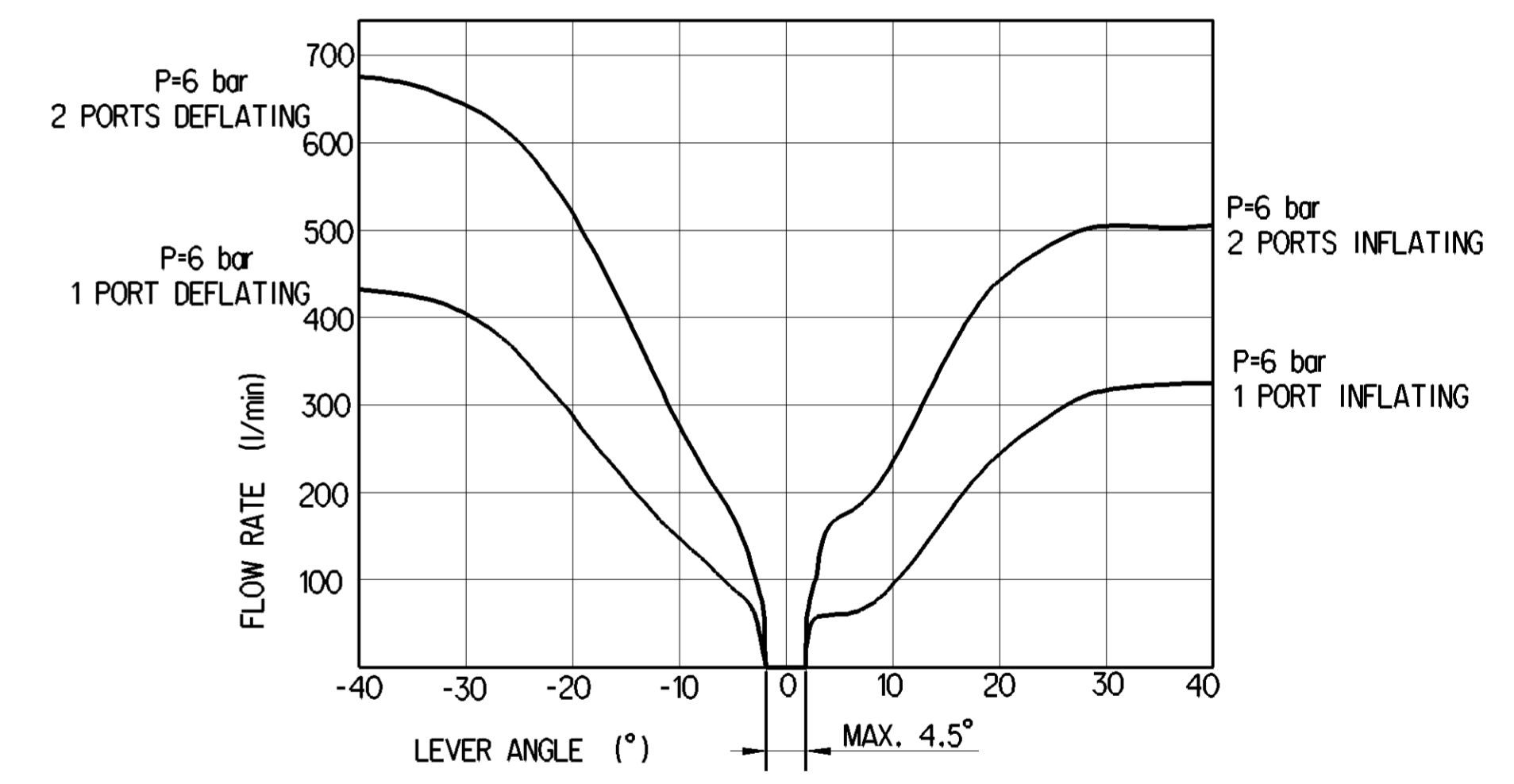


WORKING MEDIUM	AIR (CONTAINING WATER, DUST AND OIL)
AMBIENT ENVIRONMENT	AIR (CONTAINING WATER, DUST AND OIL)
THERMAL RANGE OF APPLICATION	-40...+80 °C
SHORT TERM RESISTANCE TO HEAT	MAX. 1h AT 110 °C
WORKING PRESSURE	MAX. 13 bar
DYNAMIC BELLOWS PRESSURE	MAX. 20 bar
NOMINAL DIAMETER	MIN. 7.1mm ² Ø3mm PER DELIVERY
1 INSTALLATION POSITION	VERTICAL
ORIENTATION OF THE VALVE ON VERTICAL AND ±45° FROM VERTICAL POSSIBLE TURN RESP. CHANGE LEVER	
2 OBSERVE THE POSITION OF THE POSITIONING PIN BORE	
3 FIXING OF THE VALVE IN CLOSED POSITION AT >7bar RESERVOIR PRESSURE AND <3bar PRESSURE IN THE BELLOWS BY A PIN OF Ø3x8 OR A PARALLEL PIN Ø3x8 DIN7	
PORT DESIGNATION	1, 12, 13 SUPPLY OF ENERGY 21, 22, 23 DELIVERY OF ENERGY 3 EXHAUST OF ENERGY
CUT-OFF VALVE	CLOSING POSITION α = 30° ± 2° RANGE OF ADJUSTMENT FOR CLOSING POSITION α = 15°...50°
4 ADJUSTMENT OF CUT-OFF VALVE CLOSING POSITION WITH TORX T30	
TIGHTENING TORQUE FOR MOUNTING BOLTS	MAX. 25Nm

Non è permesso copiare o riprodurre questo documento, né utilizzare il contenuto in modo commerciale senza il permesso scritto dalla WABCO. È vietata espressamente la ristampa o l'uso non autorizzato. Toute réimpression ou utilisation non autorisée sans la permission écrite de la WABCO est formellement interdite. Toute utilisation non autorisée sera considérée comme acte de contrefaçon et sera poursuivie en justice.



POS	DESIGNATION	NORM	MATERIAL	SURFACE PROTECTION
10	CARTRIDGE	-	PA 6.6	-
20	CONNECTING PIECE	JED-534	PA 6.6	-
30	BODY	JED-534	PA 6.6	-
40	SLOTTED SPRING PIN	JED-048	STEEL	JED-378-3 (Zn/AL)
50	ADJUSTING PLATE	JED-060	STEEL	JED-256-0 (Zn/AL)
60	WASHER	-	STEEL	JED-256-1 (Zn/AL)
70	SCREW	JED-051	STEEL	JED-739-4 (Zn-Ni)
80	SHAFT	JED-005	POM	-
90	CLAMP	JED-022	STEEL	JED-271
100	ROD	JED-020	STEEL	JED-256-4 (Zn/AL)
110	HEXAGON HEAD SCREW	JED-051	STEEL	JED-739-4 (Zn-Ni)
120	FILISTER HEAD SCREW	JED-051	STEEL	JED-256-1 (Zn/AL)
130	PROTECTION COVER	JED-354	PA 6.6	-
140	SPLIT PIN	-	STEEL	JED-256-0 (Zn/AL)
150	PLAIN WASHER	-	STEEL	JED-256-0 (Zn/AL)
160	JOINT	JED-288	RUBBER	-
170	HOSE CLAMP	-	STEEL	JED-256-5 (Zn/AL)
180	NAME PLATE	JED-077	ALUMINIUM	-
190	BODY	JED-534	PA 6.6	-
200	CAP	JED-546	TPE	-



General Specification: ISO 8015, JED-334-1, Size ISO 14405 LP

Further Technical Data: 464 006 599 0

Doc. Code: 035 Sheets: 1 To 35

Copyright WABCO

Date: 2022-06-22

Signature: Bologna

Checked: Szyszka

Material No.: 464 006 520 0

Date of first issue: 2016-06-03

Doc. Code: 510833

Revision: 2 x D

Tech. Resp.: 5641WIN

Language: EN

Sheet: 1/1

Scale: 1:1

Mass: 0.452 kg

Dimensions in mm: A 1 CREO

1) Tolerance Class Applied Crossmarked