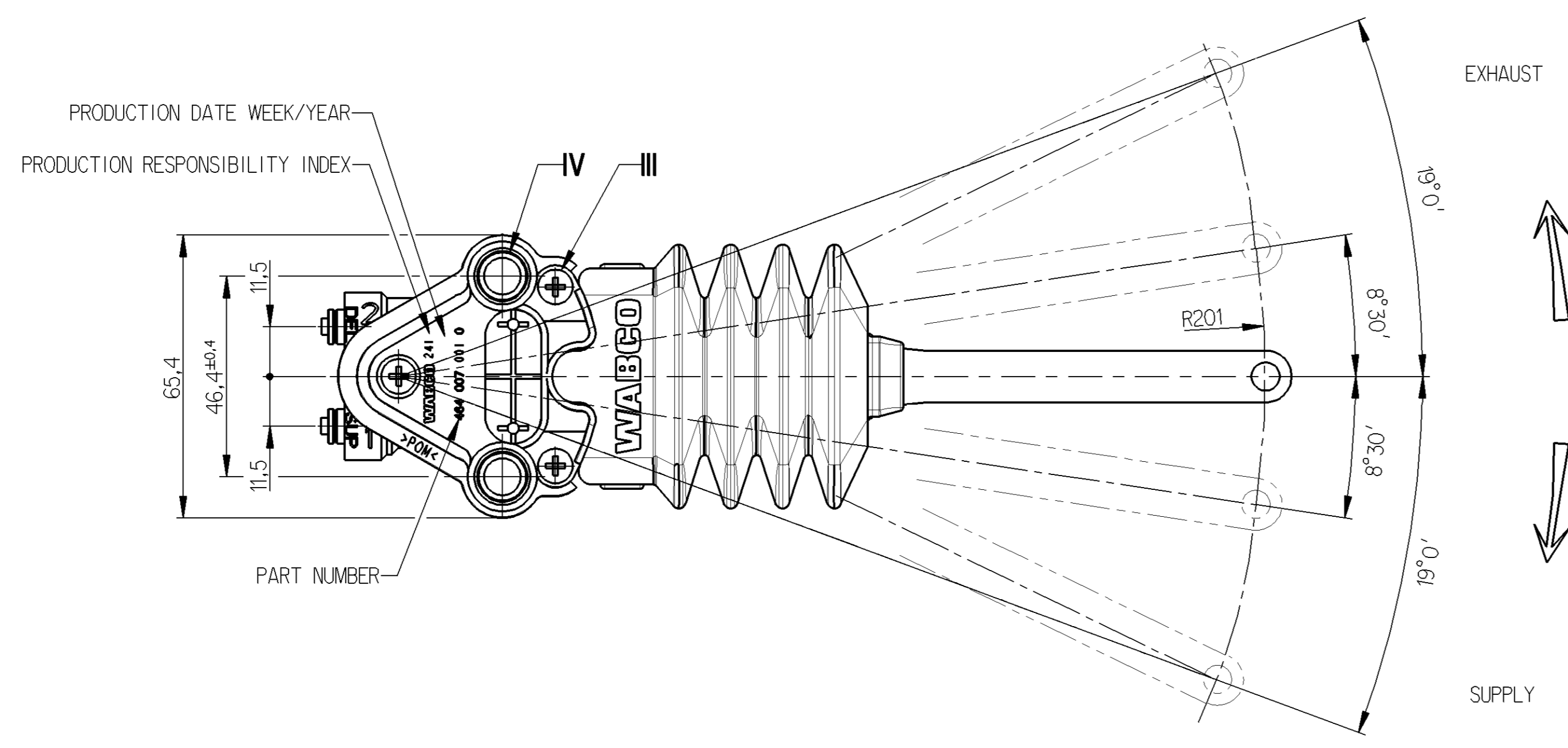
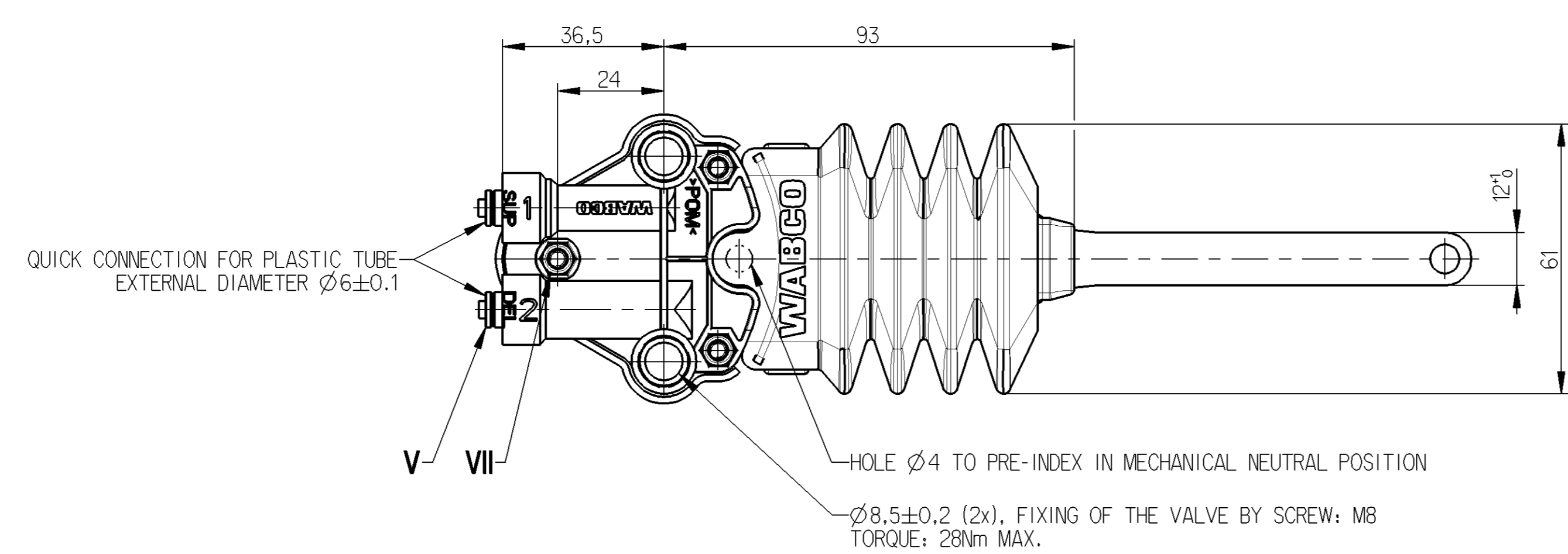
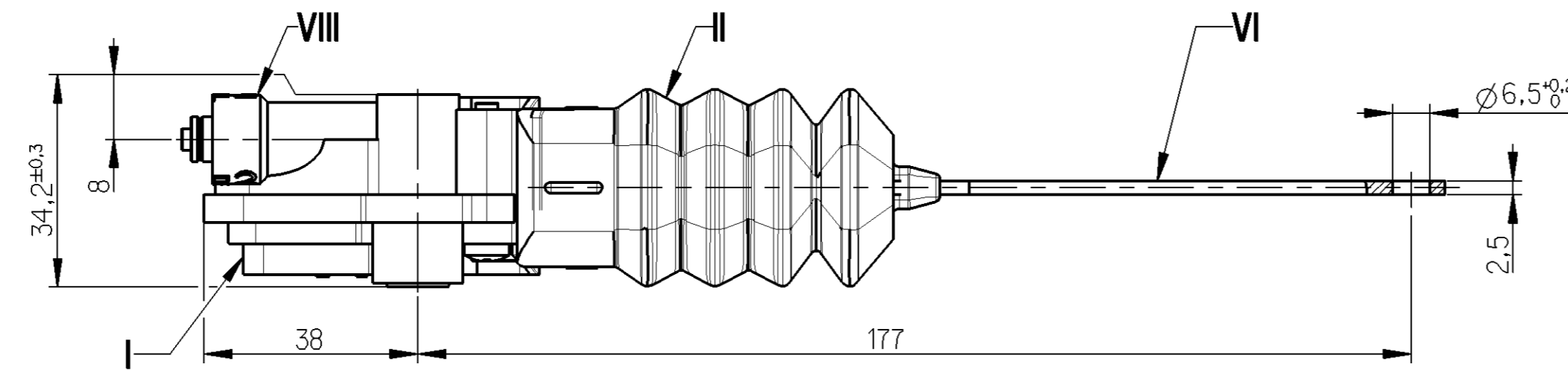
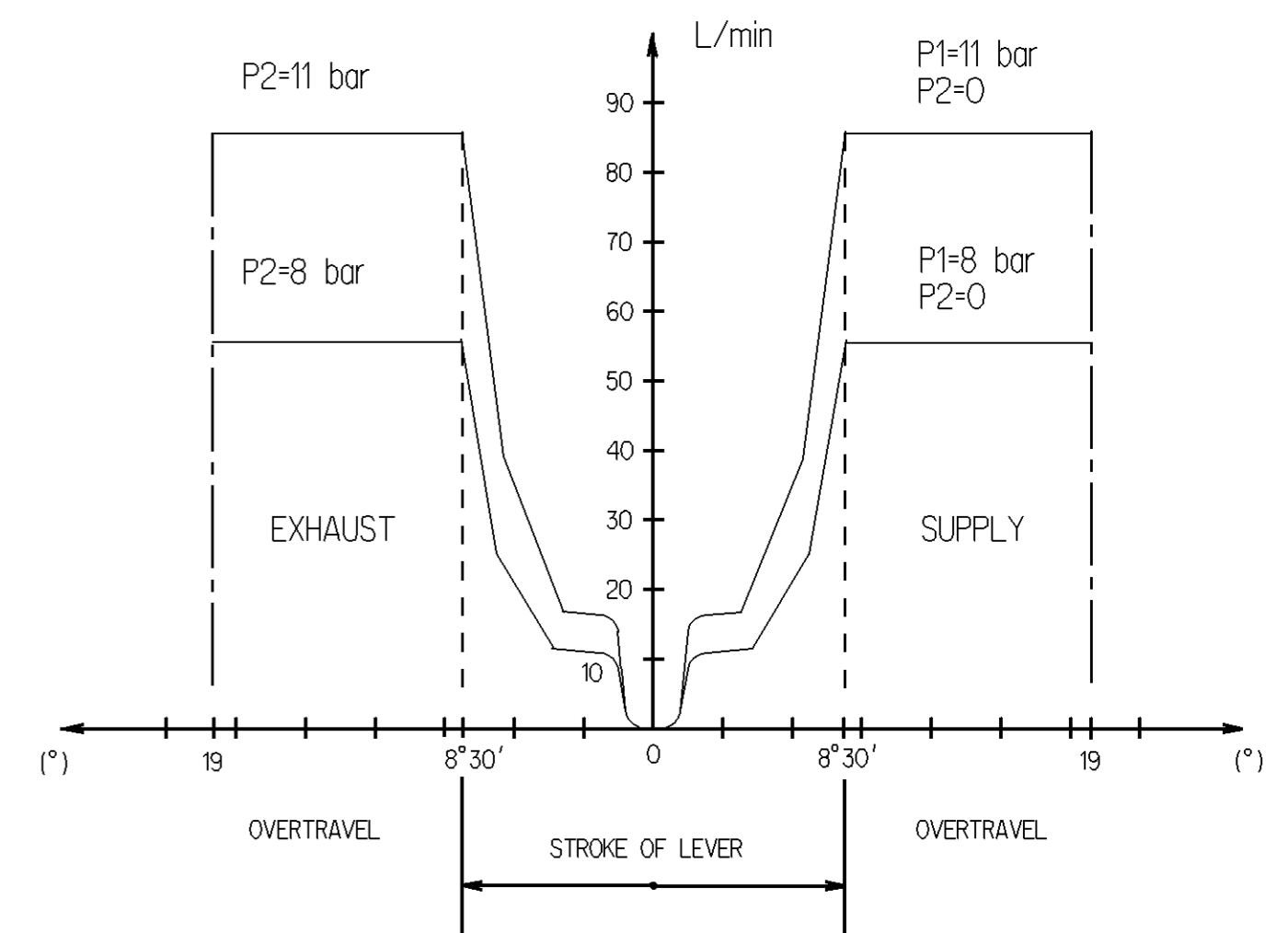


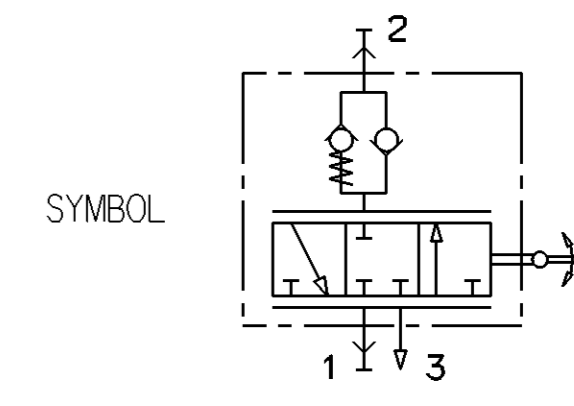
	MATERIAL	SURFACE PROTECTION
I	POM	
II	EPDM	
III	STEEL	Zn
IV	STEEL	Zn
V	BRASS	
VI	STEEL	Zn
VII	STEEL	Zn
VIII	POM	



FLOW RATE FOR : P1=8 bar and P1=11 bar



1	SUPPLY
2	DELIVERY
THERMAL RANGE	-40°C ... +80°C
WORKING PRESSURE	P1= 11 bar MAX.
EXCEPTIONAL INLET PRESSURE	P1= 14 bar MAX.
RESIDUAL PRESSURE	P2= 0.6±0.3 bar



General Specification: JED-334-0 - Size ISO 14405-1 E		Copyright WABCO®	
Further Technical Data:		Date	Signature
Doc. Code:	Sheet:	2012-10-25	Repelo
General Tolerances JED-261		Checked	Harlo
Range of Nominal Dimensions ( ± mm )		Expert	
Class	1) ≤ 50 > 50 > 180 > 180 > 400 > 400	Repelo	
Fine	0,5 1,0 1,5 2,0	Mass	Scale
Medium	1,0 2,0 3,0 4,0	0,216 kg	1:1
Coarse	2,0 3,5 5,0 6,5	Size	CAD System
Tapped Holes acc.		A 1	Pro/E
1) Tolerance Class Applied Crossmarked		Material No.	
		464 007 001 0	
		Date of first issue:	
		005 EN 1/1	
		Replacement for	
		157841 AF 5642	

Toute communication ou reproduction de ce document, toute exploitation ou communication de son contenu sont interdites, sauf autorisation écrite de WABCO. Toute réimpression ou utilisation non autorisée sans la permission écrite de WABCO est formellement interdite. Toute violation de ces conditions sera poursuivie conformément aux lois, décrets, ordonnances, arrêtés, décisions, réquisitions judiciaires, règlements administratifs et procédures judiciaires.

Non è permesso copiare o riprodurre questo documento, né utilizzare il contenuto o renderlo comunque noto a terzi senza permesso scritto di WABCO. È vietata espressamente la ristampa o l'uso non autorizzato senza permesso scritto di WABCO. Qualsiasi violazione di queste condizioni sarà perseguita secondo le leggi, i decreti, i regolamenti, le ordinanze, le decisioni amministrative, le sentenze giudiziarie e le procedure giudiziarie.

Copying of this document and giving it to others and the use or communication of the contents hereof, are forbidden without express authority. Communication of this position will constitute an offence under the laws, in the event of damage, all rights reserved.

Alle Rechte vorbehalten. Nachdruck, Vervielfältigung und Verbreitung, auch auszugsweise, ist ohne schriftliche Genehmigung der WABCO AG.

All Rights Reserved. Any reproduction or unauthorized use, in whole or in part, without the written permission of WABCO is prohibited.