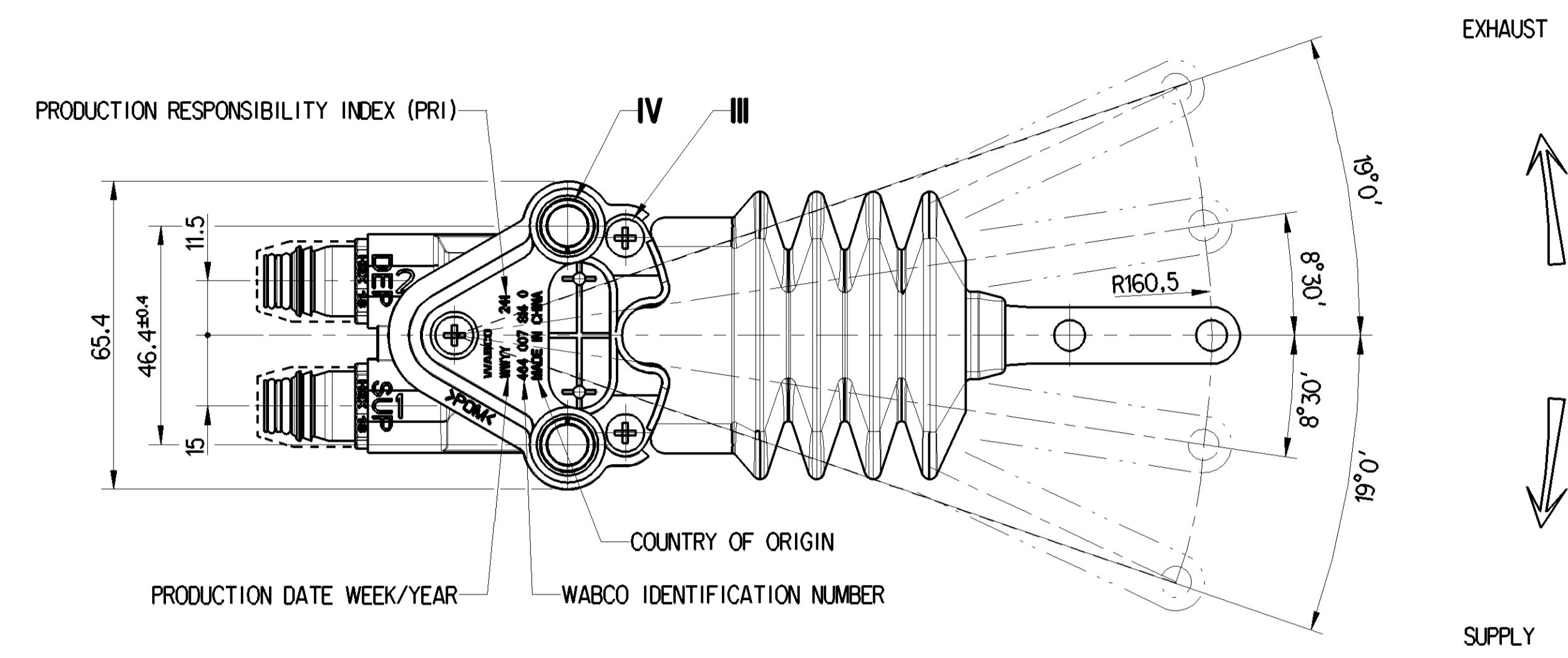
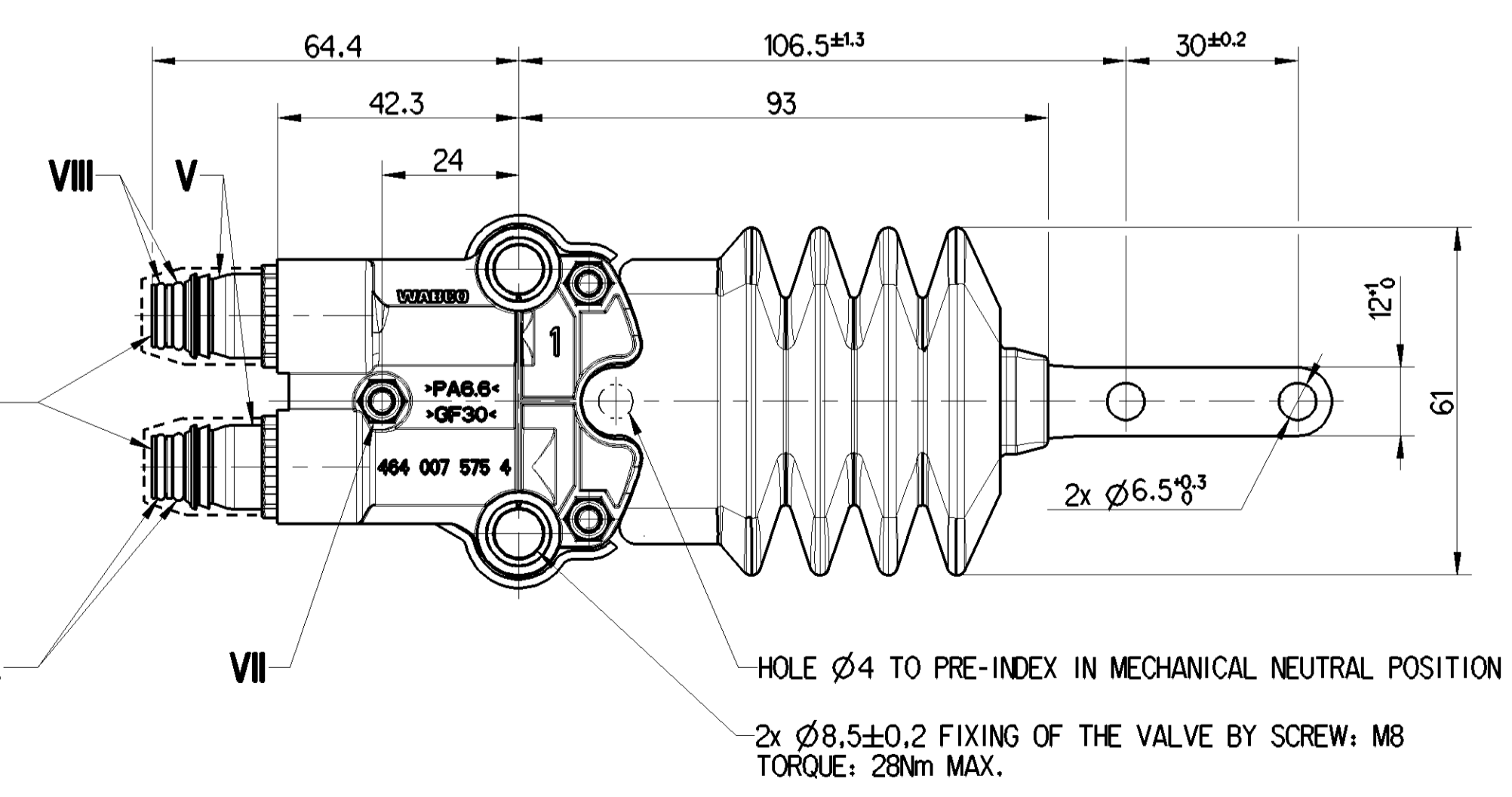
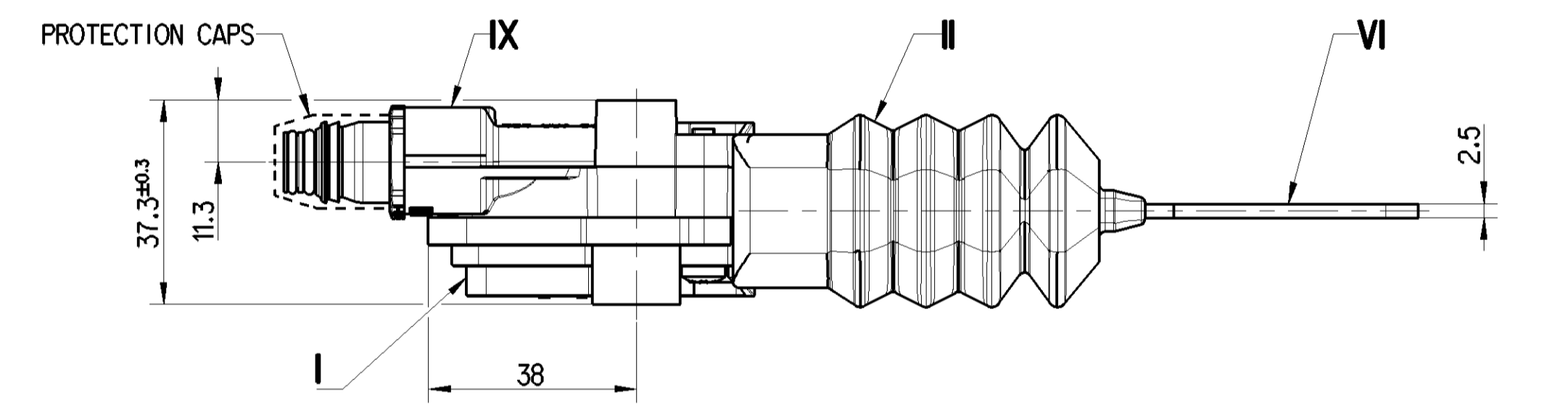
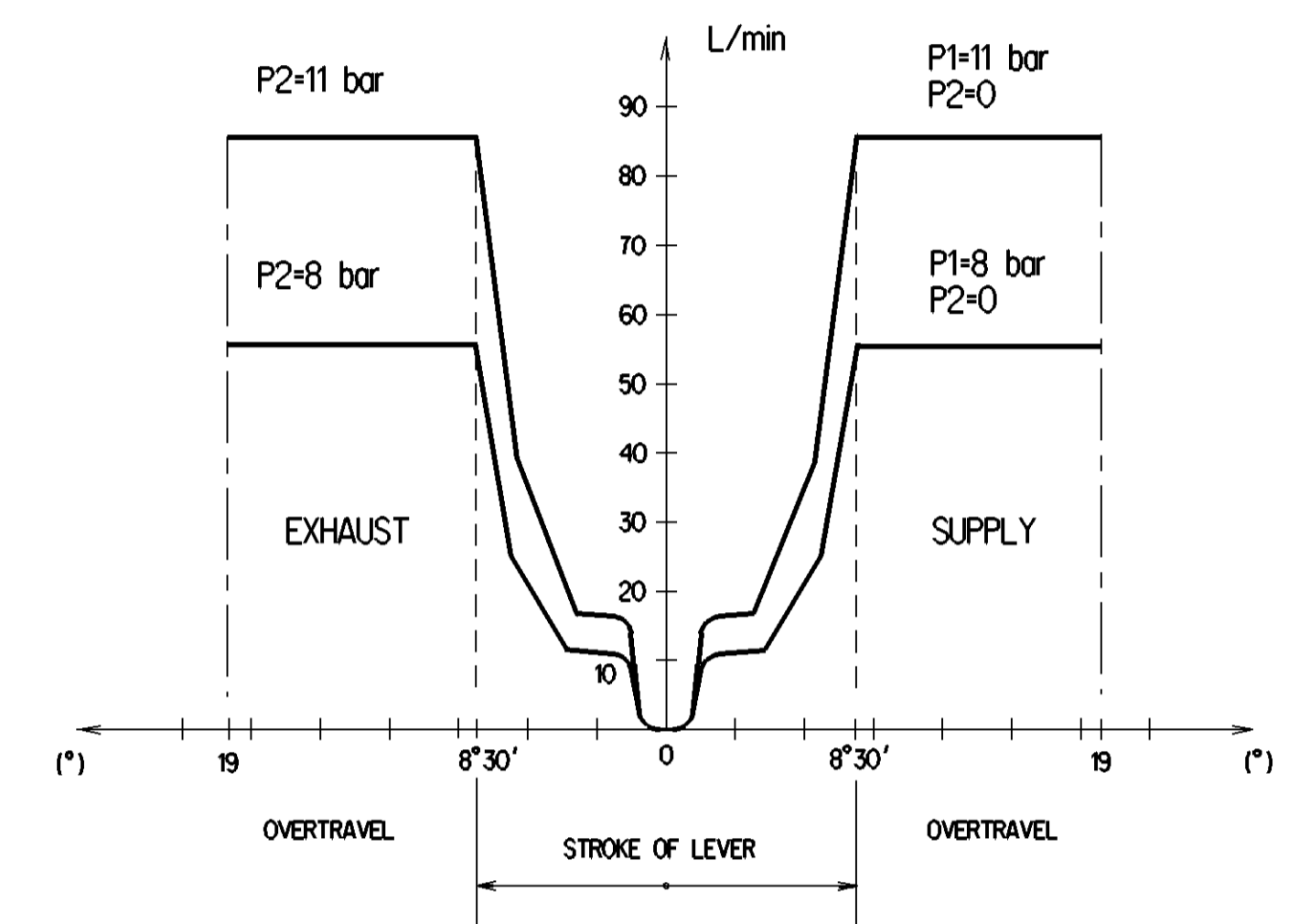


	MATERIAL	SURFACE PROTECTION
I	POM	
II	EPDM	
III	STEEL	Zn
IV	STEEL	Zn
V	COMPOSITE PLASTIC	
VI	STEEL	Zn
VII	STEEL	Zn
VIII	EPDM	
IX	PA 6.6 30GF	



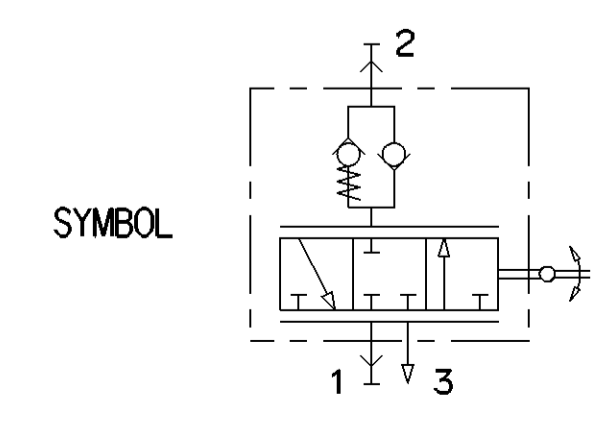
DAMPING RUBBER WASHER ON DELIVERY PORT 2 INCLUDED.

FLOW RATE FOR : P1=8 bar and P1=11 bar



RAUFOSS ABC SMALL CARTRIDGE FOR PLASTIC TUBE EXTERNAL DIAMETER $\varnothing 6 \pm 0.1$

GREASED WITH SILICONE OIL



1	SUPPLY
2	DELIVERY
THERMAL RANGE	-40°C ... +100°C
WORKING PRESSURE	P1= 11 bar MAX.
EXCEPTIONAL INLET PRESSURE	P1= 14 bar MAX.
RESIDUAL PRESSURE	P2= 0.6±0.3 bar

General Specifications: JED-334-1 - Size ISO 14405 LP		Copyright WABCO®	
Further Technical Data: 464 007 034 0		Date	Signature
Doc. Code: 035	Sheet: 1 To 5	2020-04-26	Sirrom J
General Tolerances JED-261		2020-04-27 Verachachelvan	
Range of Nominal Dimensions (± mm)		Expert	
Class	1) ≤ 50 > 50 > 180 > 400	Thomas Bilgic	
Fine	0.5 1.0 1.5 2.0	Mass	Scale
Medium	1.0 2.0 3.0 4.0	0.214	1:1
Coarse	2.0 3.5 5.0 6.5	Size	CAD System
Tapped Holes acc.		Material No.	
1) Tolerance Class Applied Crossmarked		464 007 814 0	
		Doc. Code	Language
		005	EN
		Revision	Techn. Resp.
		-	5642-AM
		Date of first issue: 2020-04-27	
		Sheet 1/1	

Non è permesso copiare o ristampare questo documento, né utilizzare il contenuto o renderlo comunque noto a terzi senza permesso scritto dalla WABCO. È vietata espressamente la ristampa o l'uso non autorizzato di questo documento. Toute réimpression ou reproduction de ce document, toute utilisation ou communication de son contenu sans autorisation écrite de la WABCO est formellement interdite. Toute utilisation non autorisée de ce document est formellement interdite.