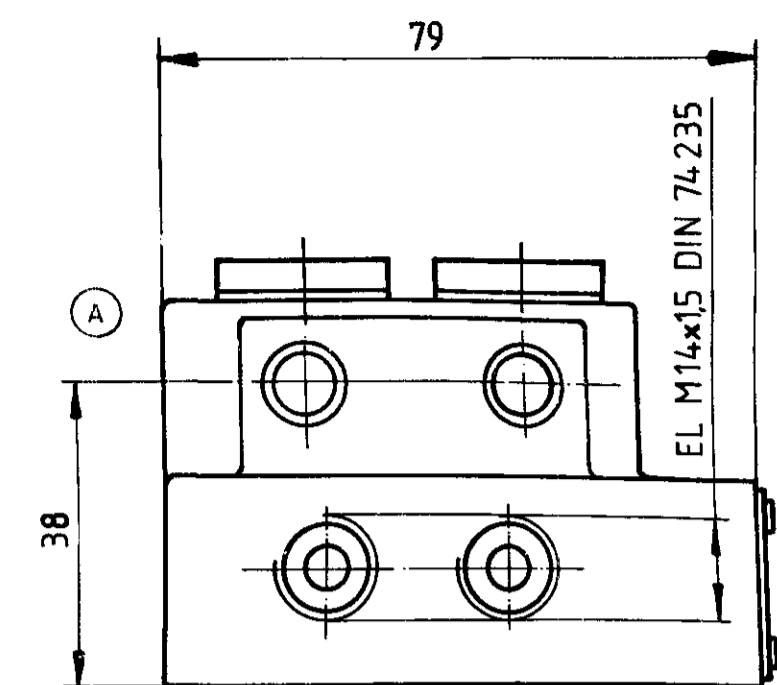
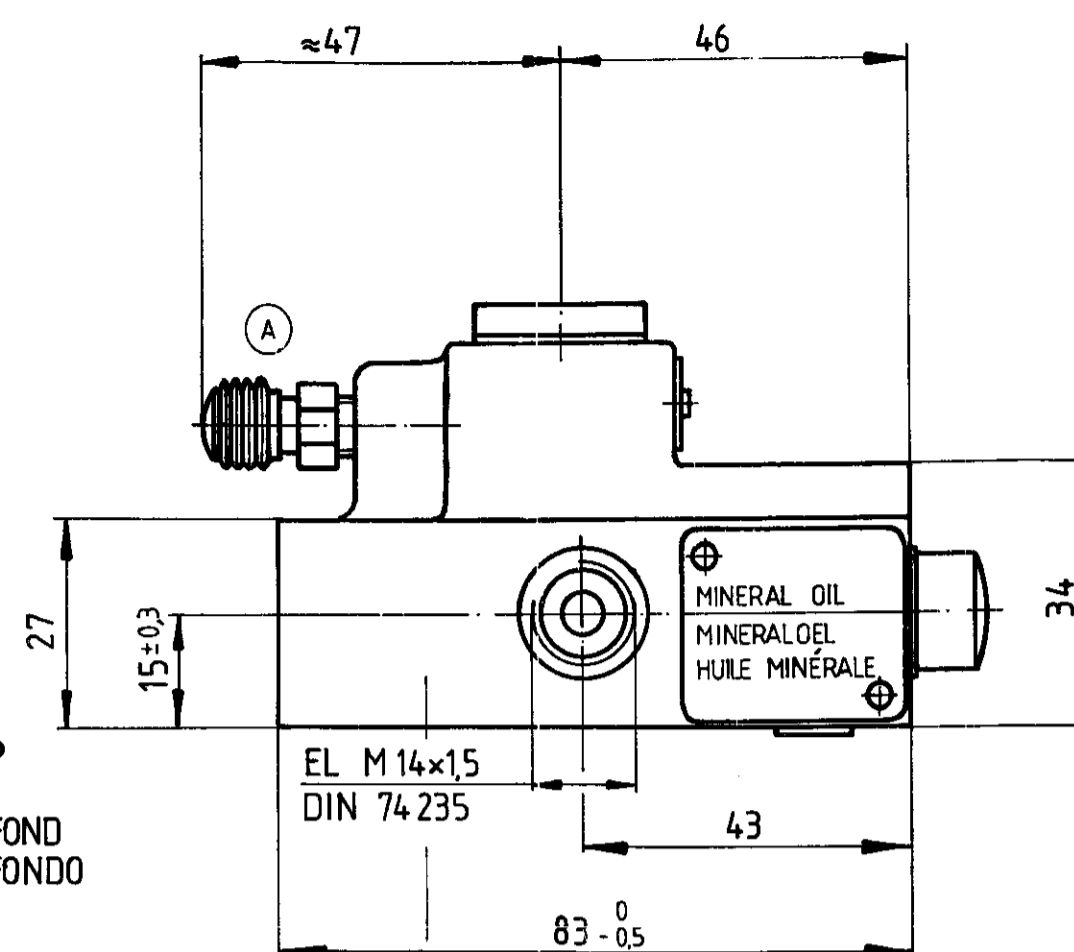
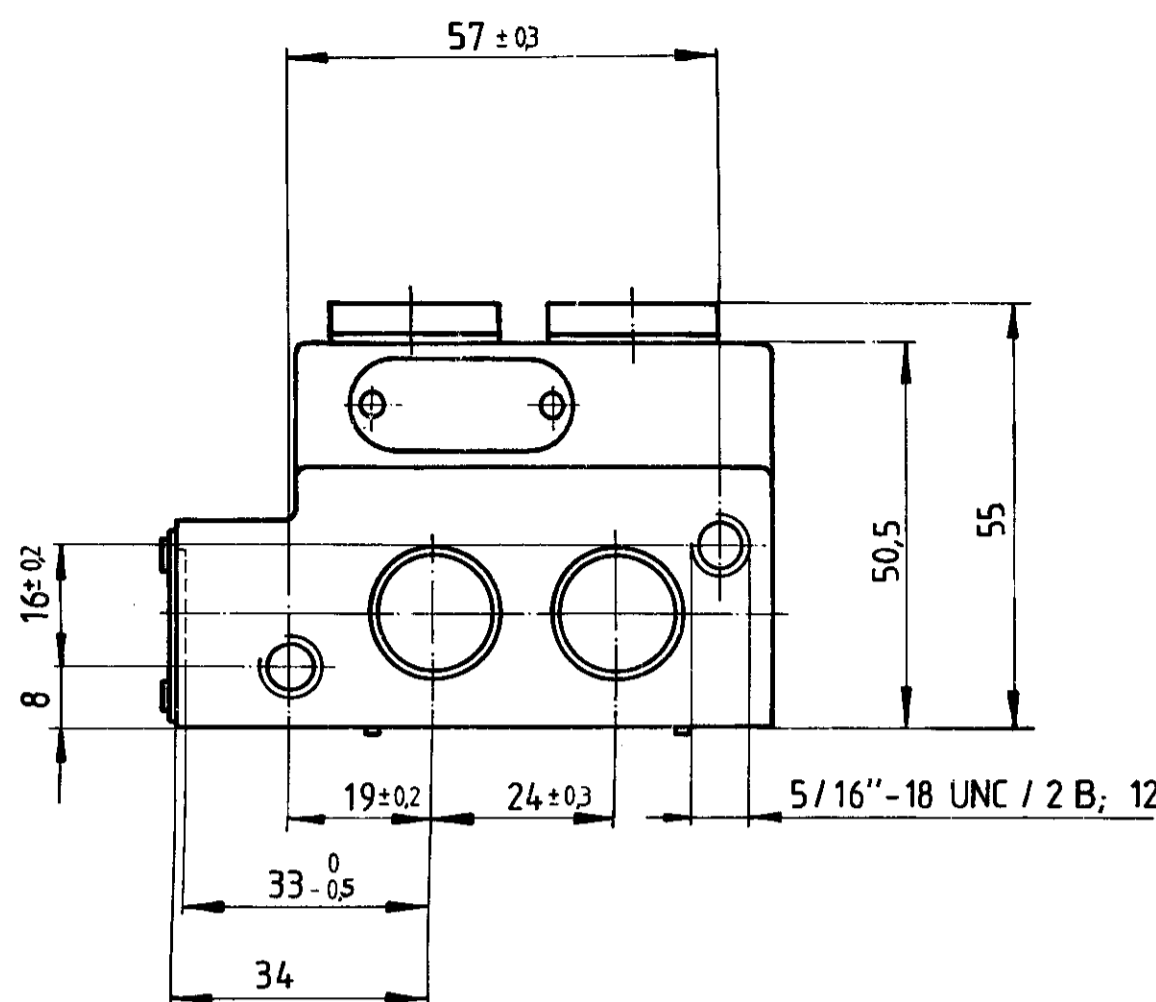
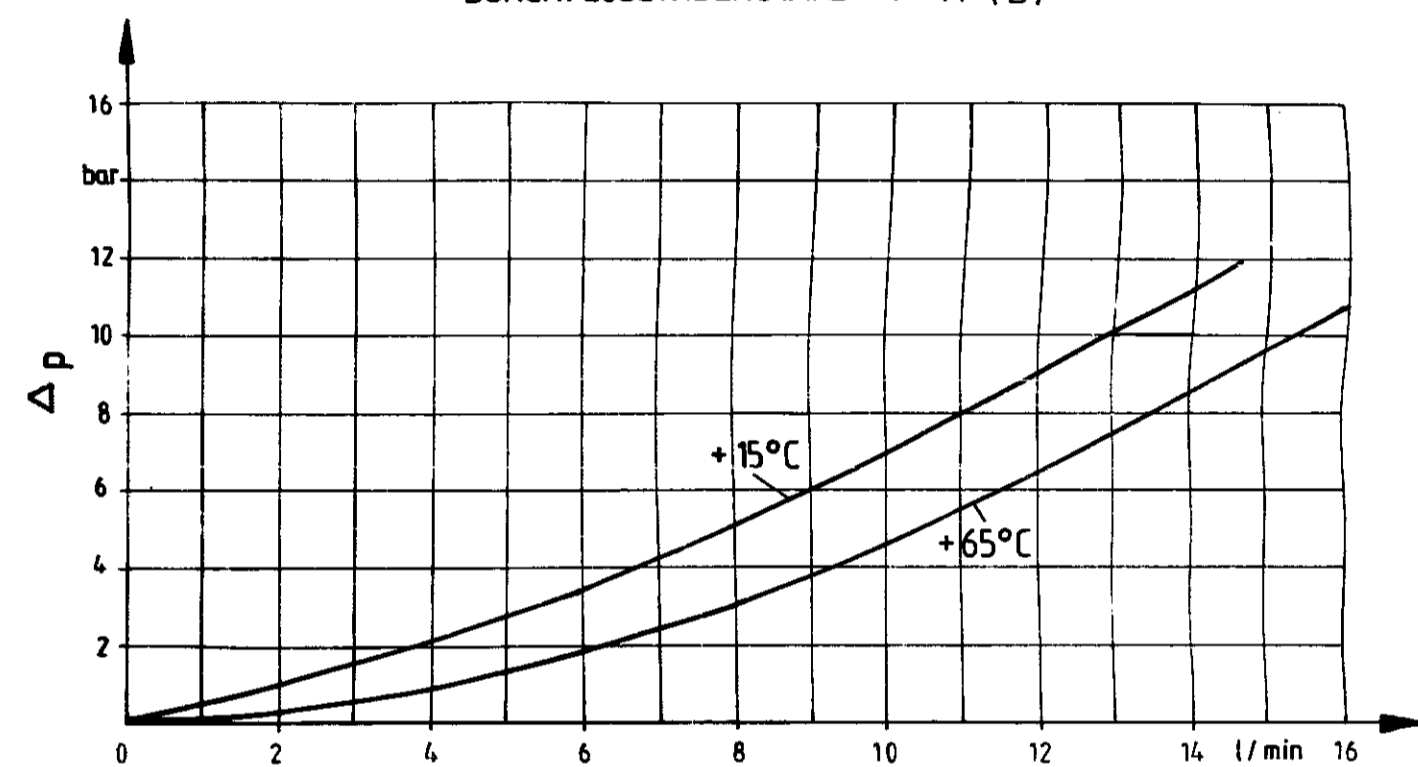


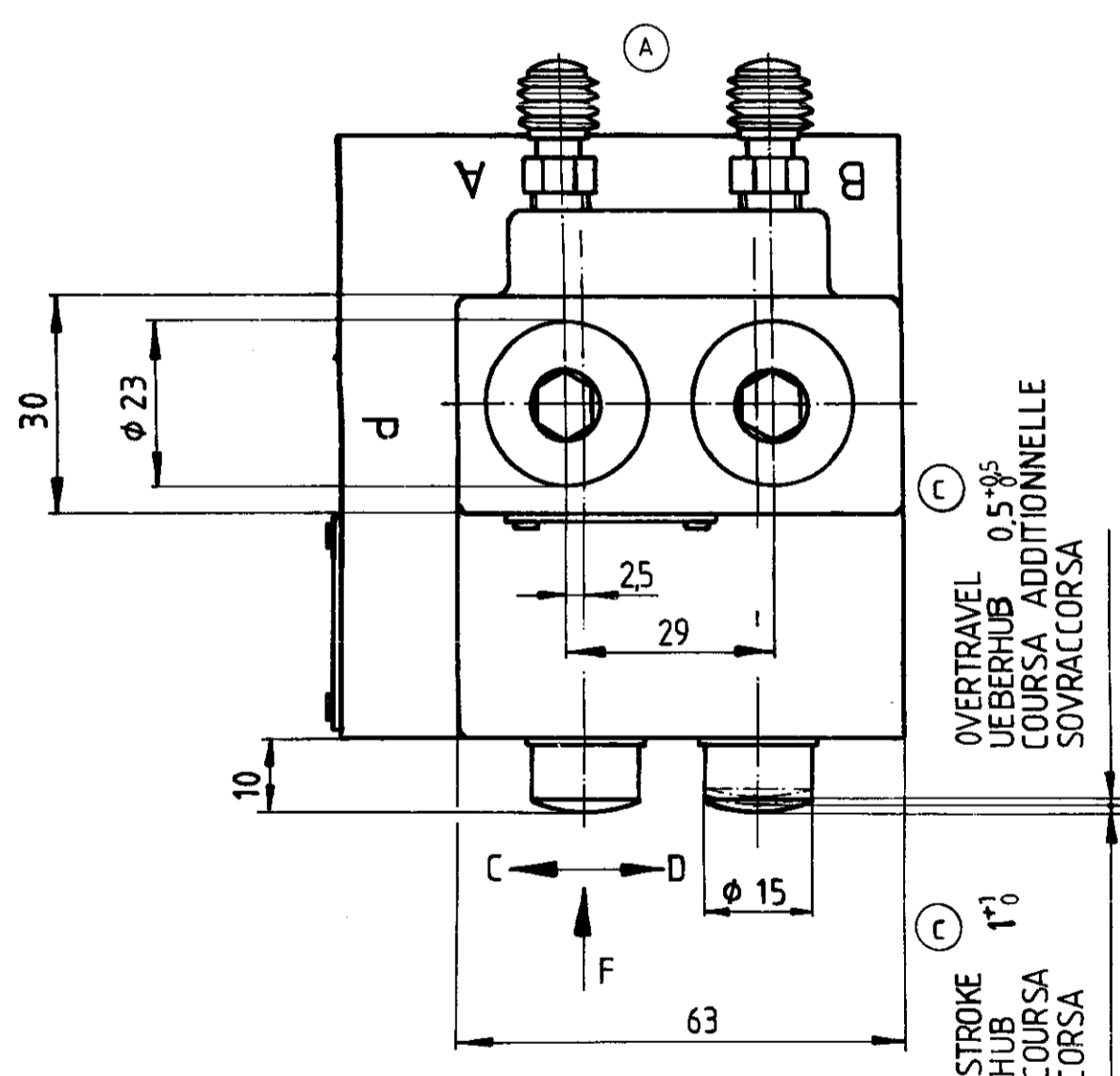
Tous droits de propriété industrielle réservés. Reservati tutti i diritti in caso di concessione di brevetti o di registrazione di un modello di utilità. All rights are reserved in the event of the grant of a patent or the registration of a utility model or design. Alle Rechte für den Fall der Patentierung oder Gebrauchsmuster-Eintragung vorbehalten.



DURCHFLOSSWIDERSTAND P→A (B)



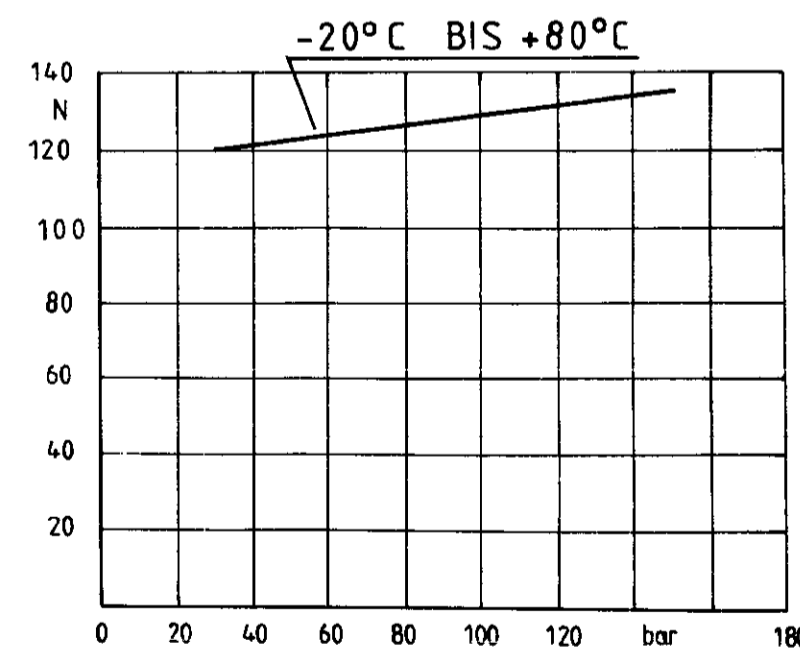
FLOW RATE Q: MEDIUM: HY-TRAN-FLUID
 DURCHFLOßMENGE Q: MEDIUM:
 DEBIT Q: FLUIDE:
 PORTATA Q: FLUIDO:



DEEP
TIEF
PROFOND
PROFONDO

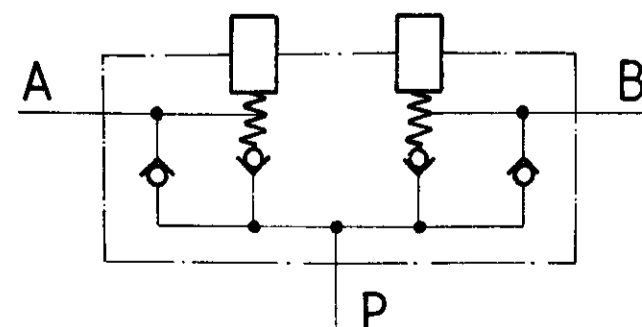
POSITION OF INSTALLATION:
EINBAULAGE
POSITION D'INSTALLATION: ± 8°
POSIZIONE DI MONTAGGIO

CHARACTERISTIC
KENNLINIE
COURBE CARACTÉRISTIQUE
CURVA CARATTERISTICA



BRAKING PRESSURE
BREMSDRUCK
PRESSION DE FREINAGE
PRESSIONE DE FRENATURA

NECESSARY CLOSING FORCE F AT
ADDITIONAL MOVEMENT OF PISTON
IN DIRECTION C-D (RADIAL)
ERFORDERLICHE SCHLIESSKRAFT F BEI
ZUSÄTZLICHER BEWEGUNG DES KOL-
BENS IN RICHTUNG C-D (RADIAL)
FORCE DE FERMETURE F NECESSAIRE
AU MOUVEMENT ADDITIONNEL DU PI-
STON EN DIRECTION C-D (RADIAL)
FORZA DI CHIUSURA F NECESSARIA AL
MOVIMENTO ADDIZIONALE DEL PISTONE
DALLA DIREZIONE C-D (RADIAL)



GENERAL TOLERANCES				
CLASS	RANGE OF NOMINAL DIMENSIONS (± mm)			FORCE POWER PRESSURE ETC.
	≤ 50	> 50 ≤ 180	> 180	
I	0.1	0.15	0.2	3
II	0.2	0.3	0.4	
III	0.3	0.5	0.6	

TAPPED HOLES ACC. ISO 4039
 TOLERANCE CLASS APPLIED CROSSMARKED

WABCO
 STEERING VALVE
 SELECTEUR POUR FREIN DIRECTION
 DISTRIBUTORE PILOTA DI COMANDO
 LENKBREMSVENTIL

DATE: 79-06-25
 DRAWN: Hubrid
 CHECKED: Pontale
 STANDARDIZATION: 79-07-77

MASS: 2.1 kg
 SCALE: 1:1
 IDENTIFICATION: 467 399 014 0

REPLACEMENT FOR: A 2

CODE FOR FUNCTION: 23
 CODE FOR SHAPE: 24
 CODE FOR DOCUMENT: 605

100 mm