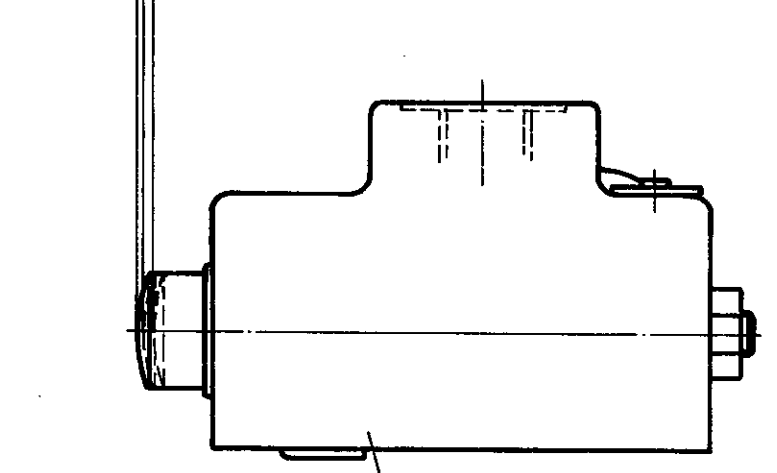


Tous droits de propriété industrielle réservés. Reservati tutti i diritti in caso di concessione di brevetti o di registrazione di un modello di utilità. All rights are reserved in the event of the grant of a patent or the registration of a utility model or design. Alle Rechte für den Fall der Patentierung oder Gebrauchsmuster-Entregung vorbehalten.

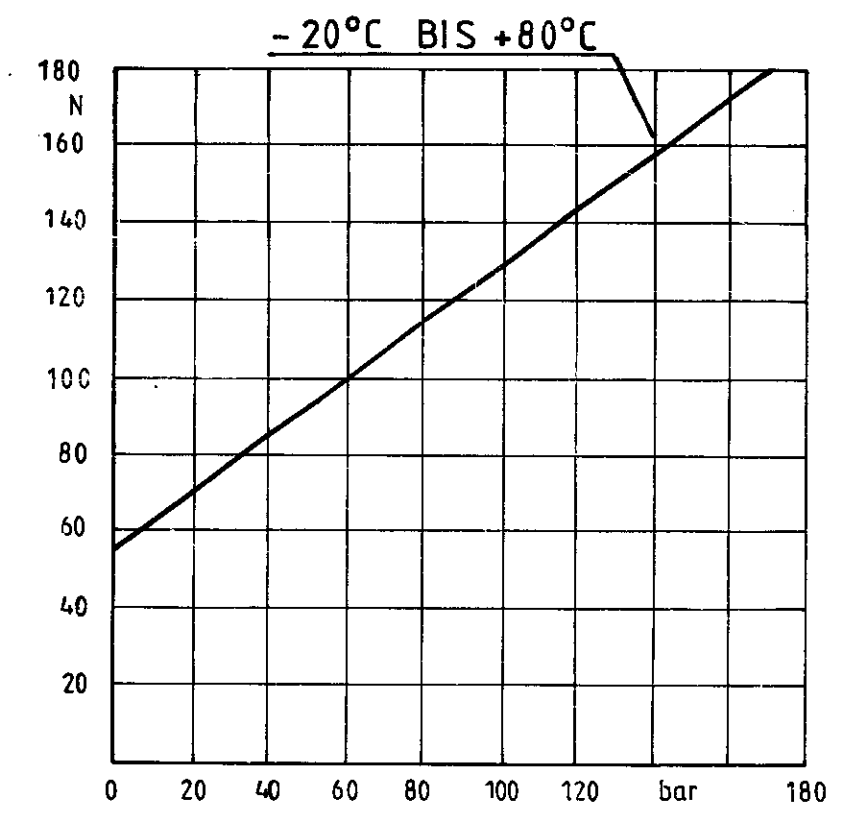
NECESSARY CLOSING FORCE F AT
 ADDITIONAL MOVEMENT OF PISTON
 IN DIRECTION C-D (RADIAL)
 ERFORDERLICHE SCHLIESSKRAFT F BEI
 ZUSÄTZLICHER BEWEGUNG DES KOL-
 BENS IN RICHTUNG C-D (RADIAL)
 FORCE DE FERMETURE F NECESSAIRE
 AU MOUVEMENT ADDITIONNEL DU PI-
 STON EN DIRECTION C-D (RADIAL)
 FORZA DI CHIUSURA F NECESSARIA AL
 MOVIMENTO ADDIZIONALE DEL PISTONE
 DALLA DIREZIONE C-D (RADIAL)

STROKE HUB COURSE CORSA
 $0,8^{+0,05}$
 OVERTRAVEL UEBERHUB COURSE ADDITIONNELLE SOVRACCORSA
 $0,6^{+0,04}$

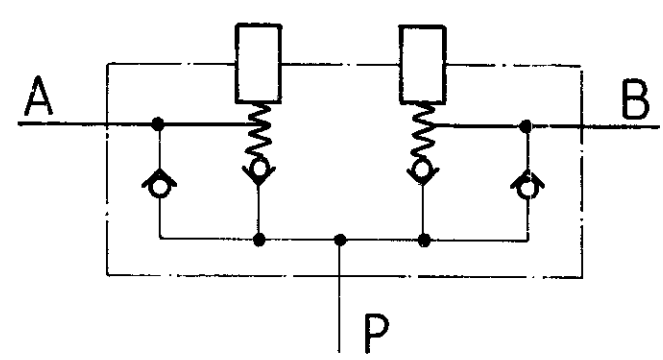
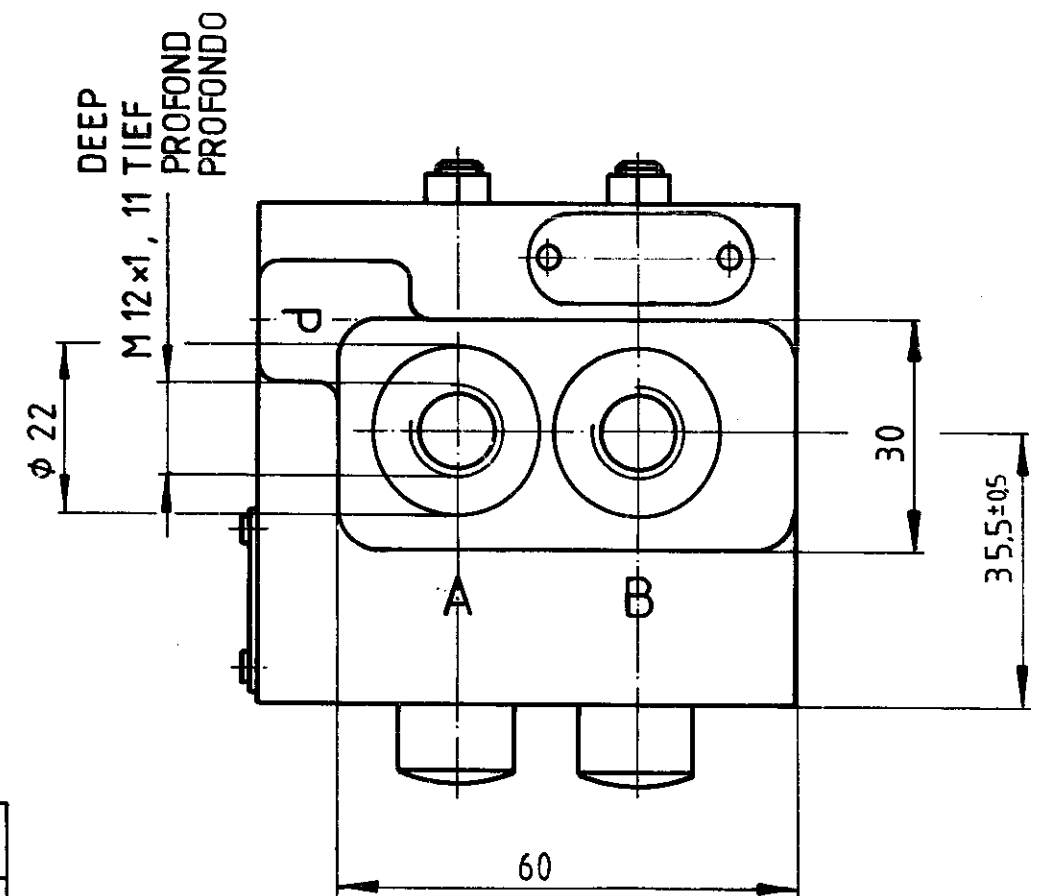
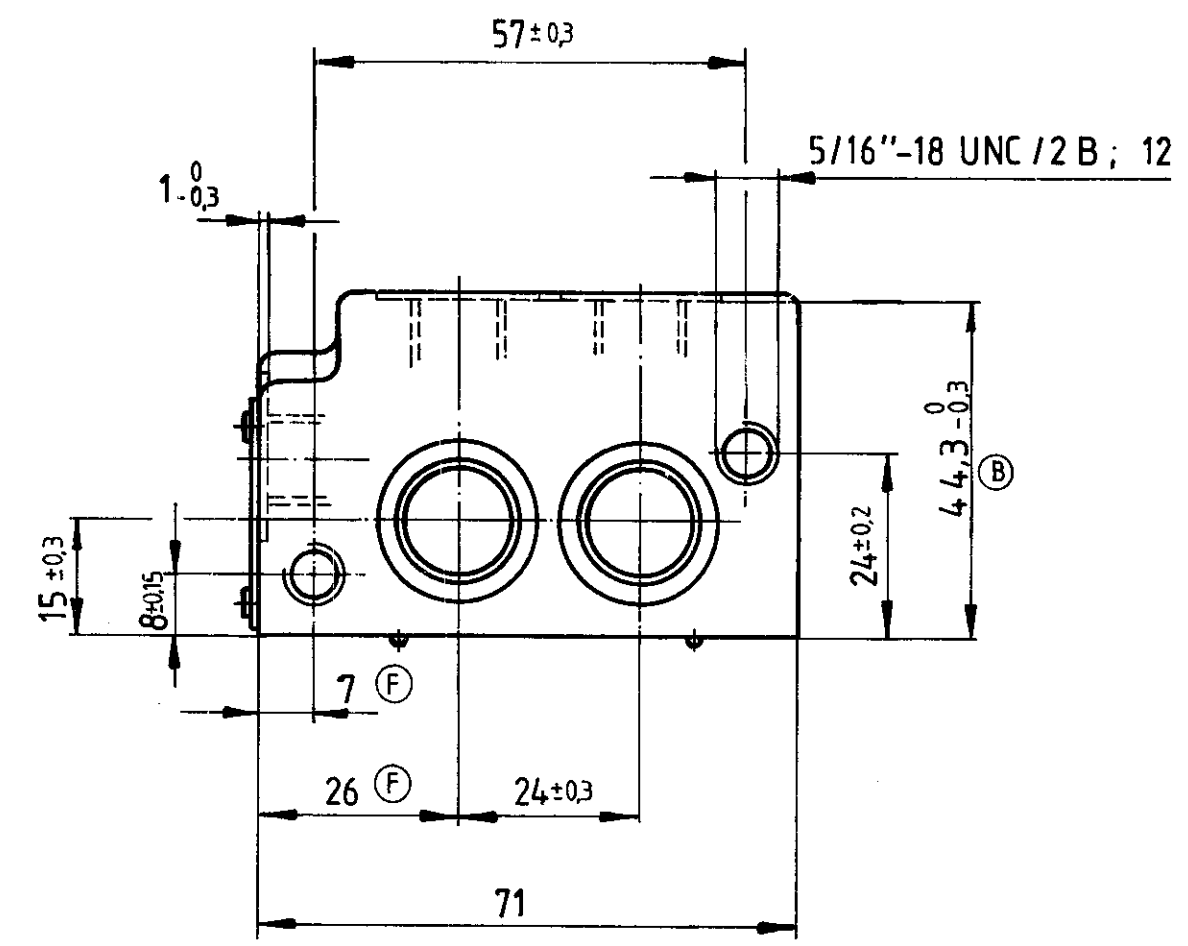


POSITION OF INSTALLATION :
 EINBAULAGE POSITION D'INSTALLATION : $\pm 8^\circ$
 POSIZIONE DI MONTAGGIO

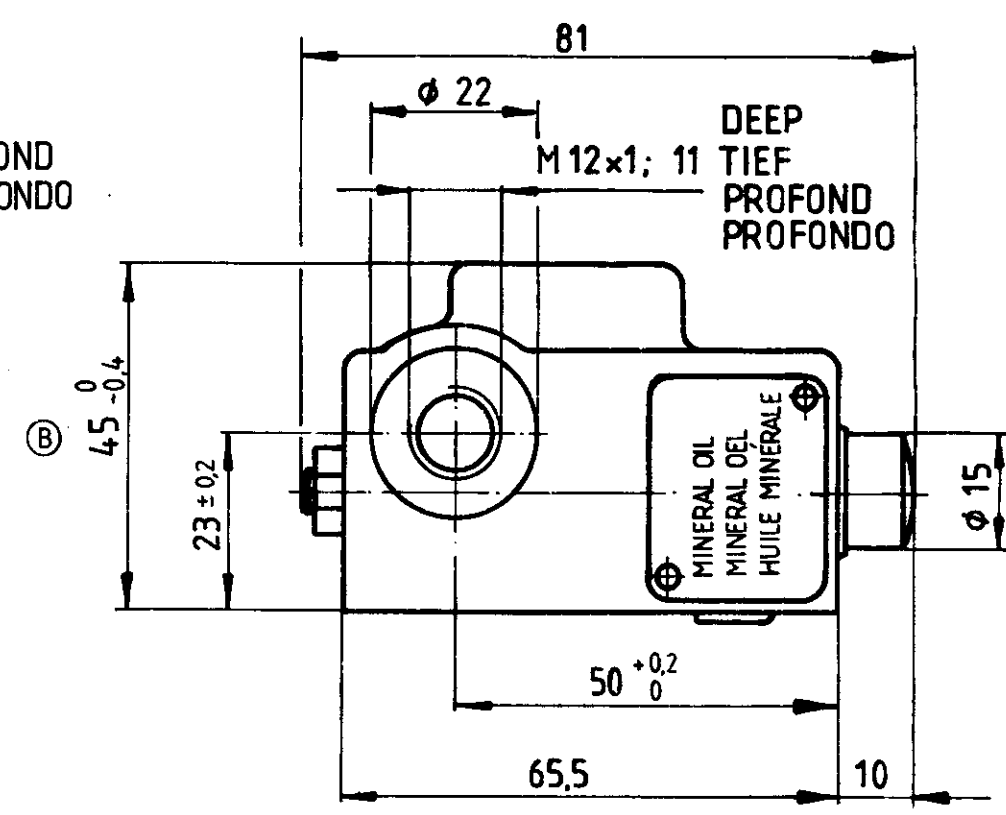
CHARACTERISTIC KENNLINIE
 COURBE CARACTÉRISTIQUE
 CURVA CARATTERISTICA



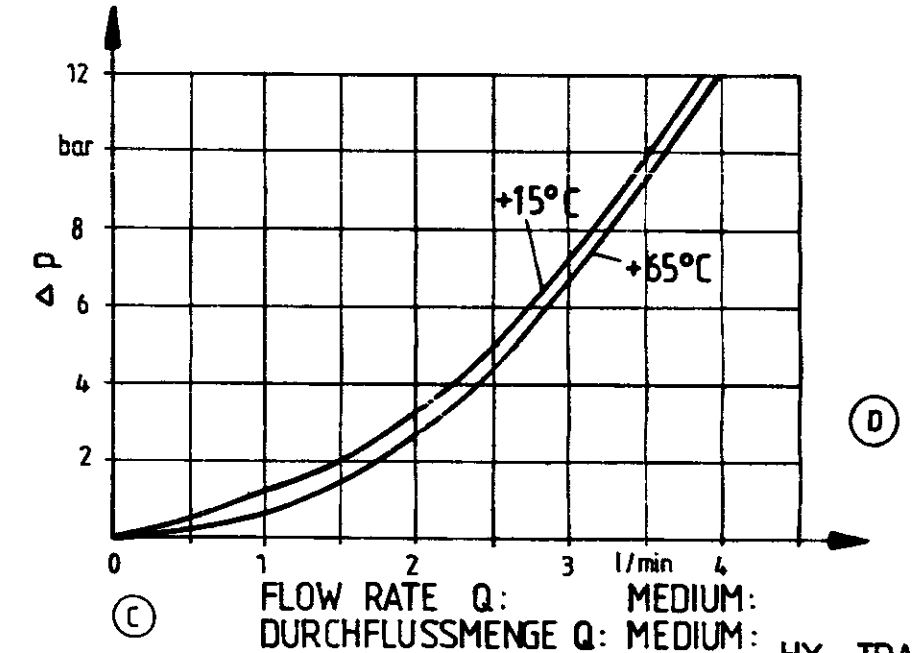
BRAKING PRESSURE BREMSDRUCK
 PRESSION DE FREINAGE
 PRESSIONE DE FRENATURA



DEEP TIEF PROFOND PROFONDO



FLOW RESISTANCE DURCHFLOSSWIDERSTAND P-A (B)
 PERTE DE CHARGO RESISTENZA AL FLUSSO



FLOW RATE Q: MEDIUM: HY-TRAN-FLUID
 DURCHFLOßMENGE Q: MEDIUM:
 DEBIT Q: FLUIDE:
 PORTATA Q: FLUIDO:

GENERAL TOLERANCES					
CLASS	RANGE OF NOMINAL DIMENSIONS (± mm)				FORCE, POWER, PRESSURE, ETC.
	0 - 30	> 30 - 180	> 180 - 400	> 400	
I	0.5	1	1.5	2	5
II	X	1	2	3	10
III		2	3.5	5	20

TAPPED HOLES ACC. ISO 4039
 TOLERANCE CLASS APPLIED CROSSMARKED

COPYRIGHT BY WABCO		WABCO	
DATE	SIGNATURE	STEERING VALVE	
38705 2	88.05.30	SELECTEUR POUR FREIN DIRECTION	
25381 1	81-07-27	DISTRIBUTORE PILOTA DI COMANDO	
24684 1	80-05-20	LENKBREMSVENTIL	
24616 1	80-02-25	STANDARDIZATION	
23375 2	79-12-19	79-12-20 gmmms	
VERS. RE	79-10-08	MASS	SCALE
CHANGING LET. DATE		1,3	1:1
REPLACEMENT FOR		SIZE	T.R.I.
		A 2	140
IDENTIFICATION		467 399 015 0	
CODE FOR FUNCTION	CODE FOR SHAPE	CODE FOR DOCUMENT	
		605	