

TECHNICAL DATA
 TECHNISCHE DATEN
 CARACTERISTIQUES TECHNIQUES
 CARATTERISTICHE TECNICHE

WORKING MEDIUM : MINERAL OIL
 BETRIEBSMEDIUM : MINERALÖL 10...2000 mm²/s
 FLUIDE D'UTILISATION : HUILE MINERALE
 FLUIDO DI ESERCIZIO : OLIO MINERALE

FLUID TEMPERATURE :
 DRUCKMITTELTEMPERATUR : -30°C...+80°C
 TEMPERATURE DU FLUIDE :
 TEMPERATURA A MEDIA PRESSIONE :

AMBIENT TEMPERATURE :
 UMGEBUNGSTEMPERATUR : -30°C...+80°C
 TEMPERATURE AMBIANTE :
 TEMPERATURA AMBIENTE :

INSTALLATION POSITION : OPTIONAL
 EINBAUlage : BELIEBIG
 POSITION D'INSTALLATION : A VOLONTE
 POSIZIONE DI MONTAGGIO : A SCELTA

WORKING PRESSURE :
 BETRIEBSDRUCK : 150 bar
 PRESSION D'UTILISATION :
 PRESSIONE DI ESERCIZIO :

PAINTING : BLACK SYNTHETIC RESIN VARNISH RAL 9005
 FARBANSTRICH : PORTS AND HOLES FREE OF PAINT
 PEINTURE : KUNSTHARZDECKLACK SCHWARTZ RAL 9005
 VERNICIATURA : ANSCHLUSSE UND BOHRUNGEN FARBFREI
 VERNIS SYNETIQUE NOIR RAL 9005
 CRIFICES ET TROUS SANS PEINTURE
 VERNICE SINTETICA MERA RAL 9005
 ORIFIZI ET FORI SENZA VERNICE

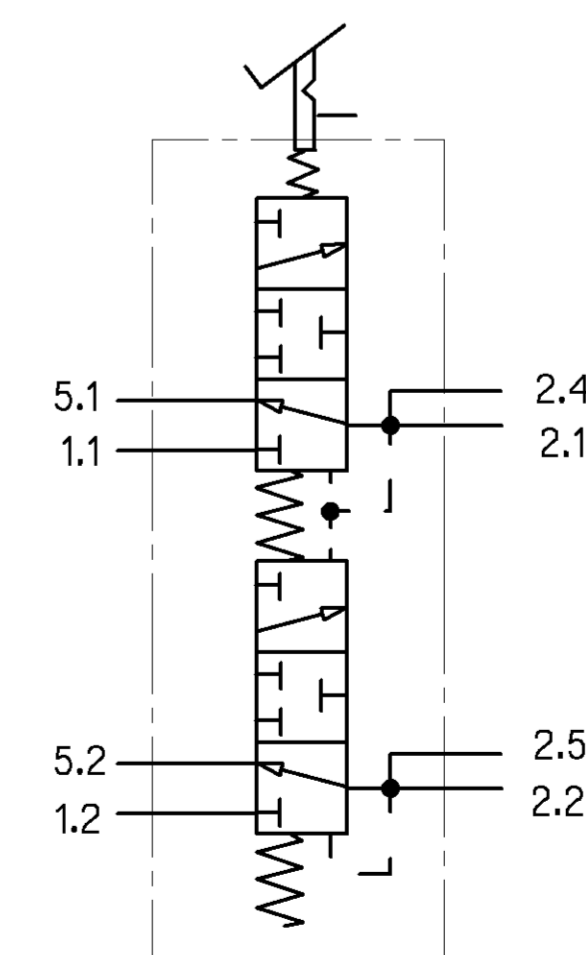
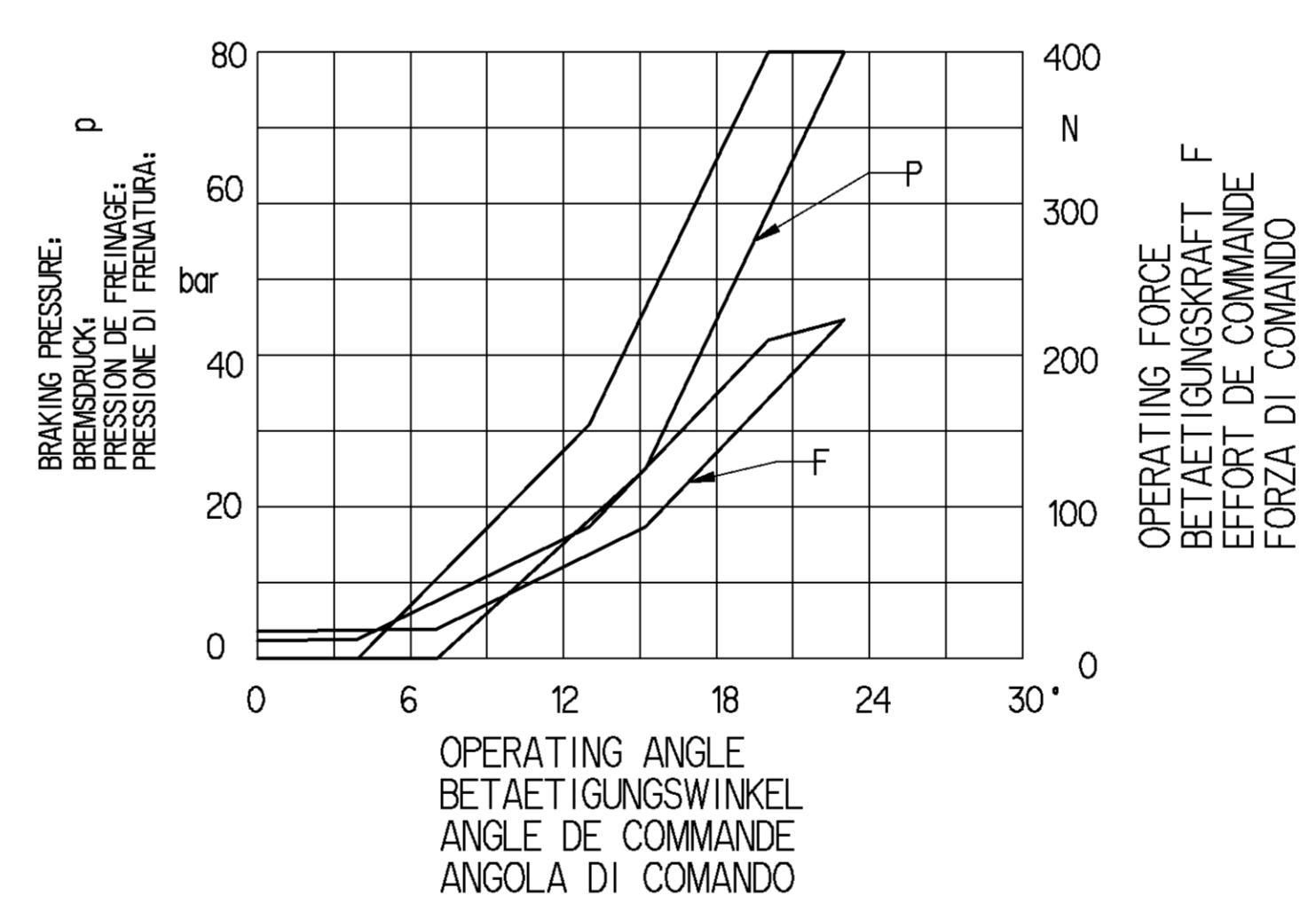
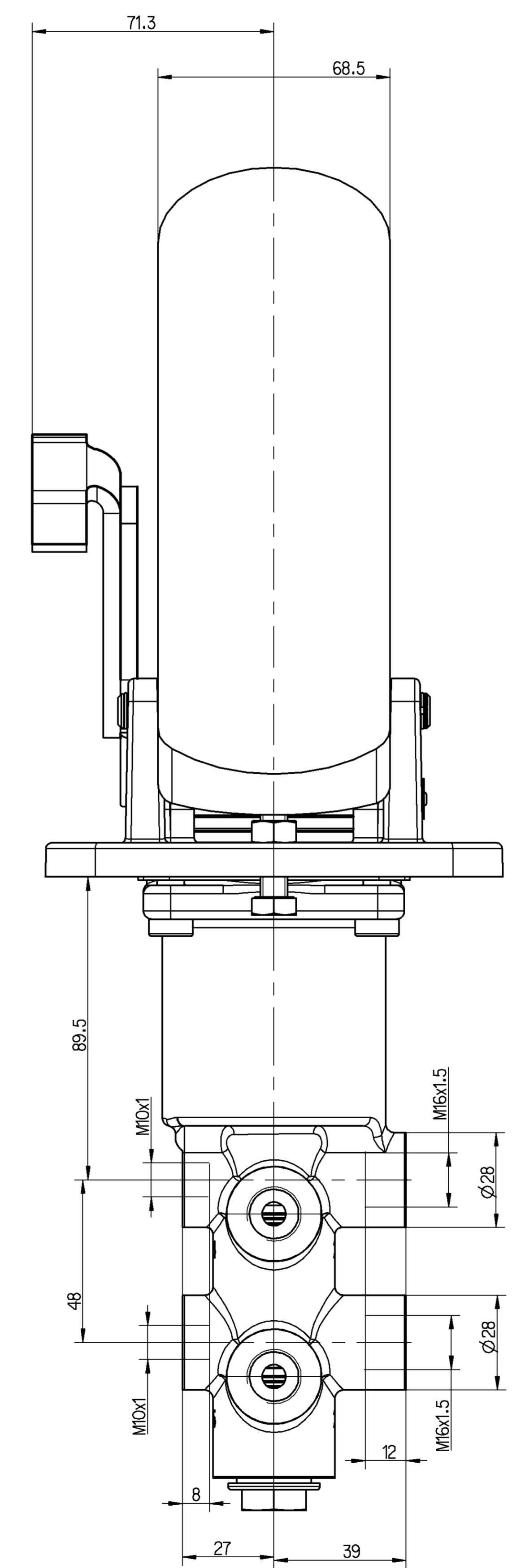
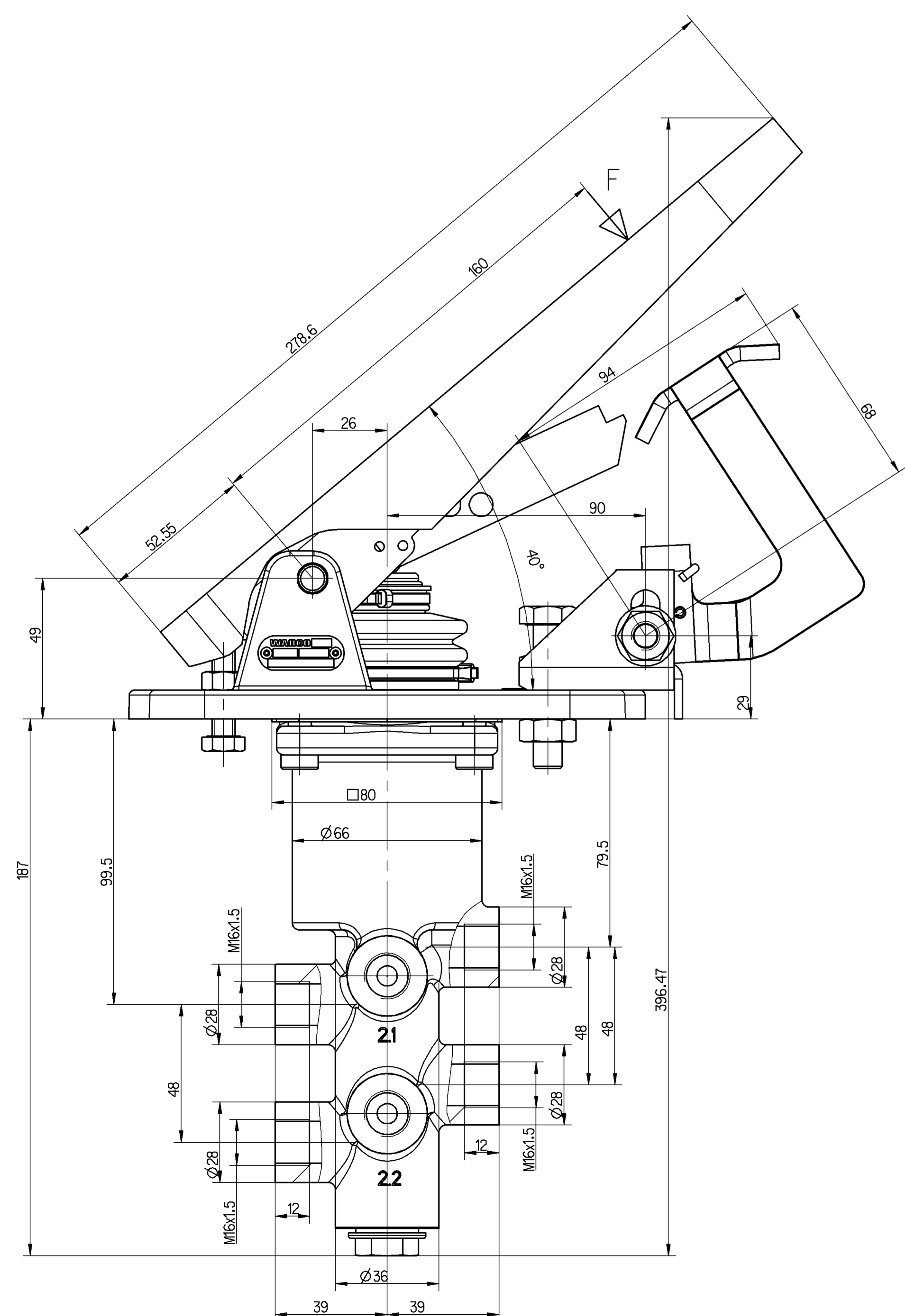
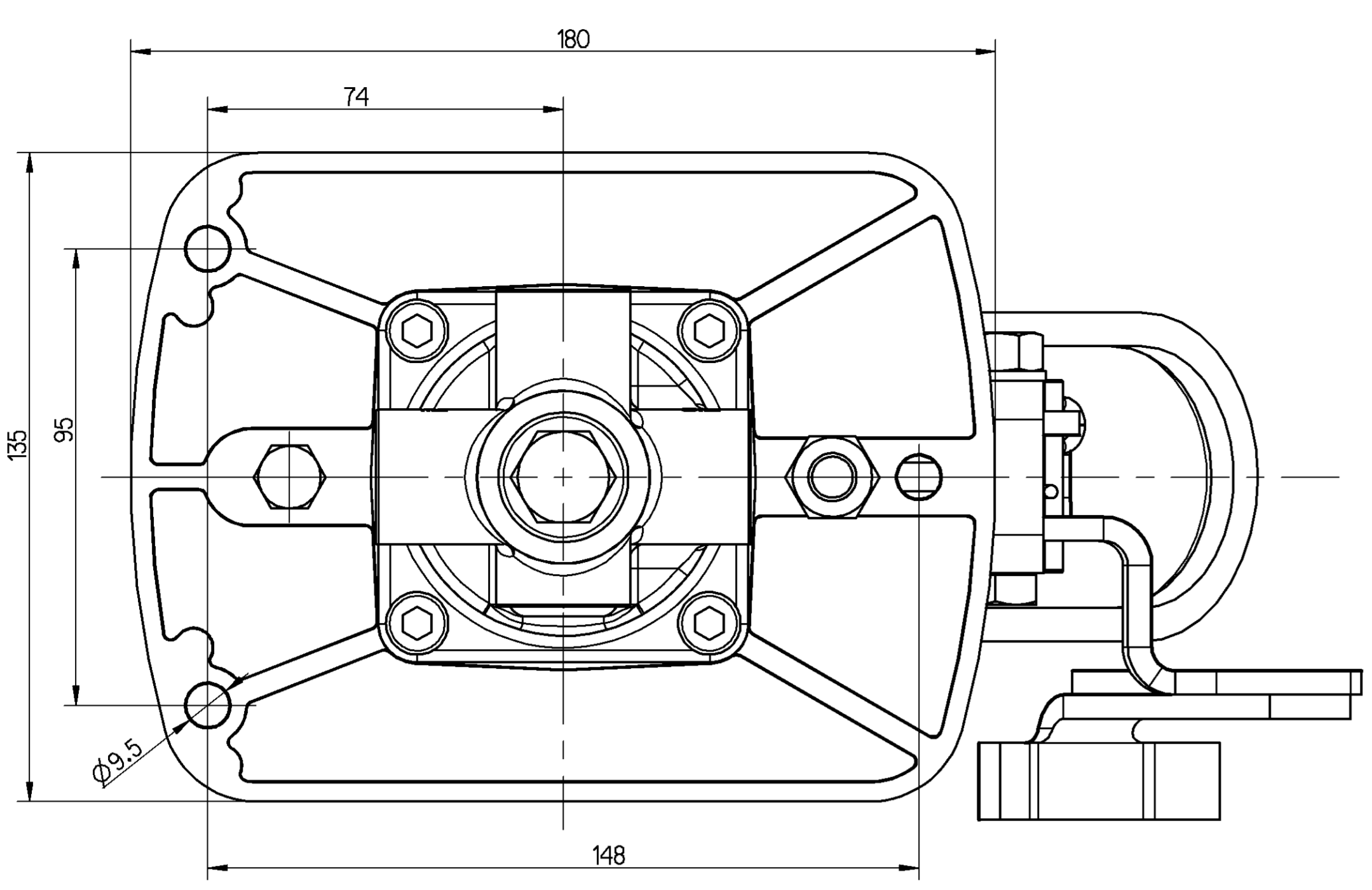
PRESSURE LIMITING :
 DRUCKBEGRENZUNG : 70+10 bar
 LIMITATION DE PRESSION :
 LIMITAZIONE DI PRESSIONE :

PRESSURE AT THE RETURN PORT :
 GEGENDRUCK AM RÜCKLAUFANSCHLUß : max. 5 bar
 PRESSION AU ORIFICE DE RETOUR :
 PRESSIONE A ORIFIZIO DI RITORNO :

PORT IDENTIFICATION
 ANSCHLUSSEBEZEICHNUNG
 REFERENCE D'ORIFICE
 DESIGNAZIONE DELL'ORIFIZIO

- | | |
|---|--|
| 1.1 ACCUMULATOR (CIRCUIT 1)
DRUCKSPEICHER (KREIS 1)
ACCUMULATEUR (CIRCUIT 1)
ACCUMULATORE (CIRCUITO 1) | 5.1 RETURN PORT (CIRCUIT 1)
RÜCKLAUFANSCHLUß (KREIS 1)
ORIFICE DE RETOUR (CIRCUIT 1)
ORIFIZIO DI RITORNO (CIRCUITO 1) |
| 1.2 ACCUMULATOR (CIRCUIT 2)
DRUCKSPEICHER (KREIS 2)
ACCUMULATEUR (CIRCUIT 2)
ACCUMULATORE (CIRCUITO 2) | 5.2 RETURN PORT (CIRCUIT 2)
RÜCKLAUFANSCHLUß (KREIS 2)
ORIFICE DE RETOUR (CIRCUIT 2)
ORIFIZIO DI RITORNO (CIRCUITO 2) |
| 2.1 SERVICE BRAKING SYSTEM (CIRCUIT 1)
BETRIEBSEMSANLAGE (KREIS 1)
DISPOSITIF DE FREINAGE DE SERVICE (CIRCUIT 1)
DISPOSITIVO DI FRENATURA DI SERVIZIO (CIRCUITO 1) | 2.4 TEST CONNECTIO (CIRCUIT 1)
PRÜFANSCHLUß (KREIS 1)
RACCORD D'EPREUVE (CIRCUIT 1)
RACCORDO DI PRAVA (CIRCUITO 1) |
| 2.2 SERVICE BRAKING SYSTEM (CIRCUIT 2)
BETRIEBSEMSANLAGE (KREIS 2)
DISPOSITIF DE FREINAGE DE SERVICE (CIRCUIT 2)
DISPOSITIVO DI FRENATURA DI SERVIZIO (CIRCUITO 2) | 2.5 TEST CONNECTIO (CIRCUIT 2)
PRÜFANSCHLUß (KREIS 2)
RACCORD D'EPREUVE (CIRCUIT 2)
RACCORDO DI PRAVA (CIRCUITO 2) |

TORQUE : M16x1.5: 40±5Nm
 ANZUGSMOMENT : M10x1: 15±3Nm
 COUPLE DE SERRAGE :
 COPPIA DI SERRAGGIO :



GENERAL SPECIFICATION: JED-324.0		P/F/ENGINEER DRAWING		WABCO	
FURTHER TECHNICAL DATA:		DATE: 00-01-10		DRAWN: [Signature]	
DOC. CODE:	SHEET: TO	CHECKED:		BRAKE VALVE	
GENERAL TOLERANCES:		EXPERT CODE:		BREMSVENTIL	
RANGE OF NOMINAL DIMENSIONS (± mm)		MASS SCALE:		ROBINET DE FREIN	
CLASS	1) ≤ 50	2) 50 > 100	3) 100 > 400	DISTRIBUTORE FRENO	
FINE	0.3	1.0	1.5	2.0	PRODUCT IDENTIFICATION NO.
MEDIUM	1.0	2.0	3.0	4.0	467 406 242 0
COARSE	2.0	3.5	5.0	6.5	DOC. CODE SHEET
TAPPED HOLES ACC. 150 4039 / JED-152	TOLERANCE CLASS APPLIED CROSSHATCHED		DCR-NO. REV. DATE	A 0 141	
				FUNCTION CODE: 0 2	
				REPLACEMENT FOR	