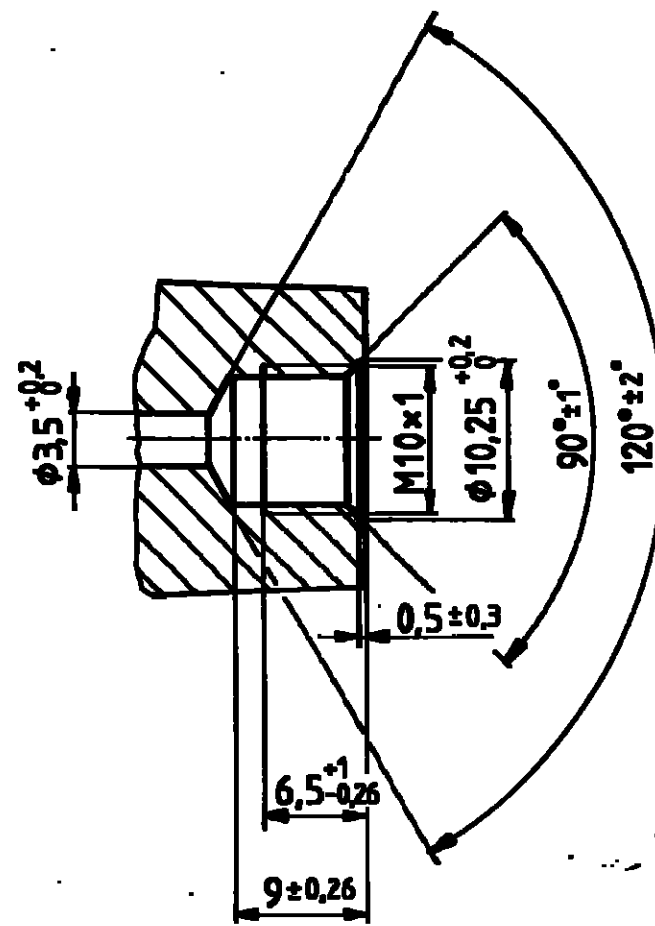
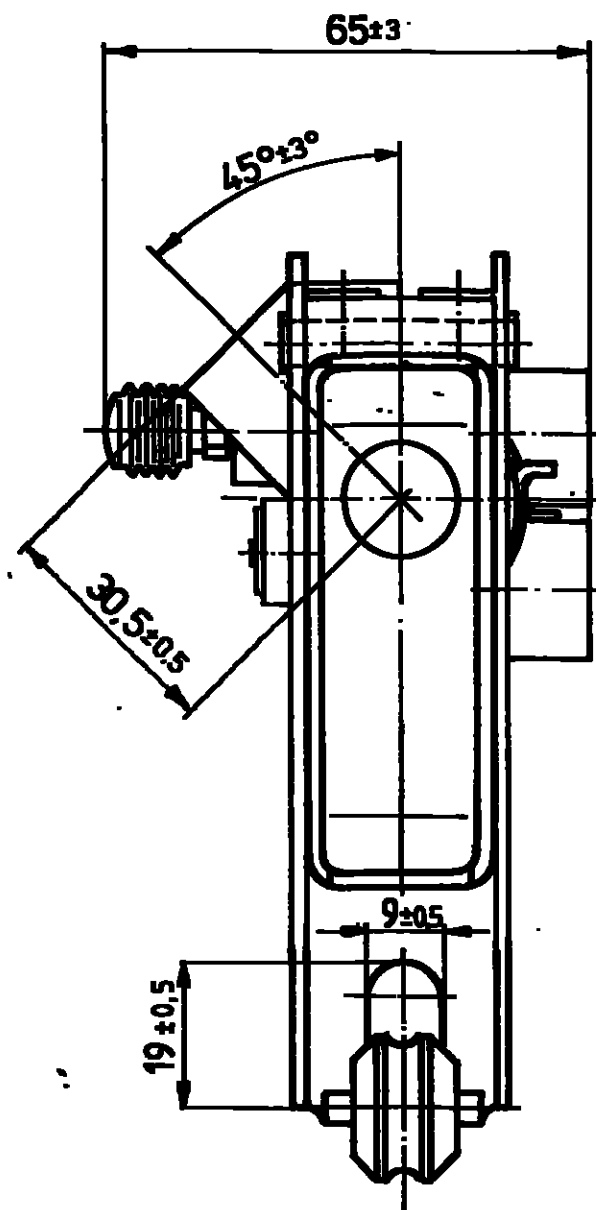
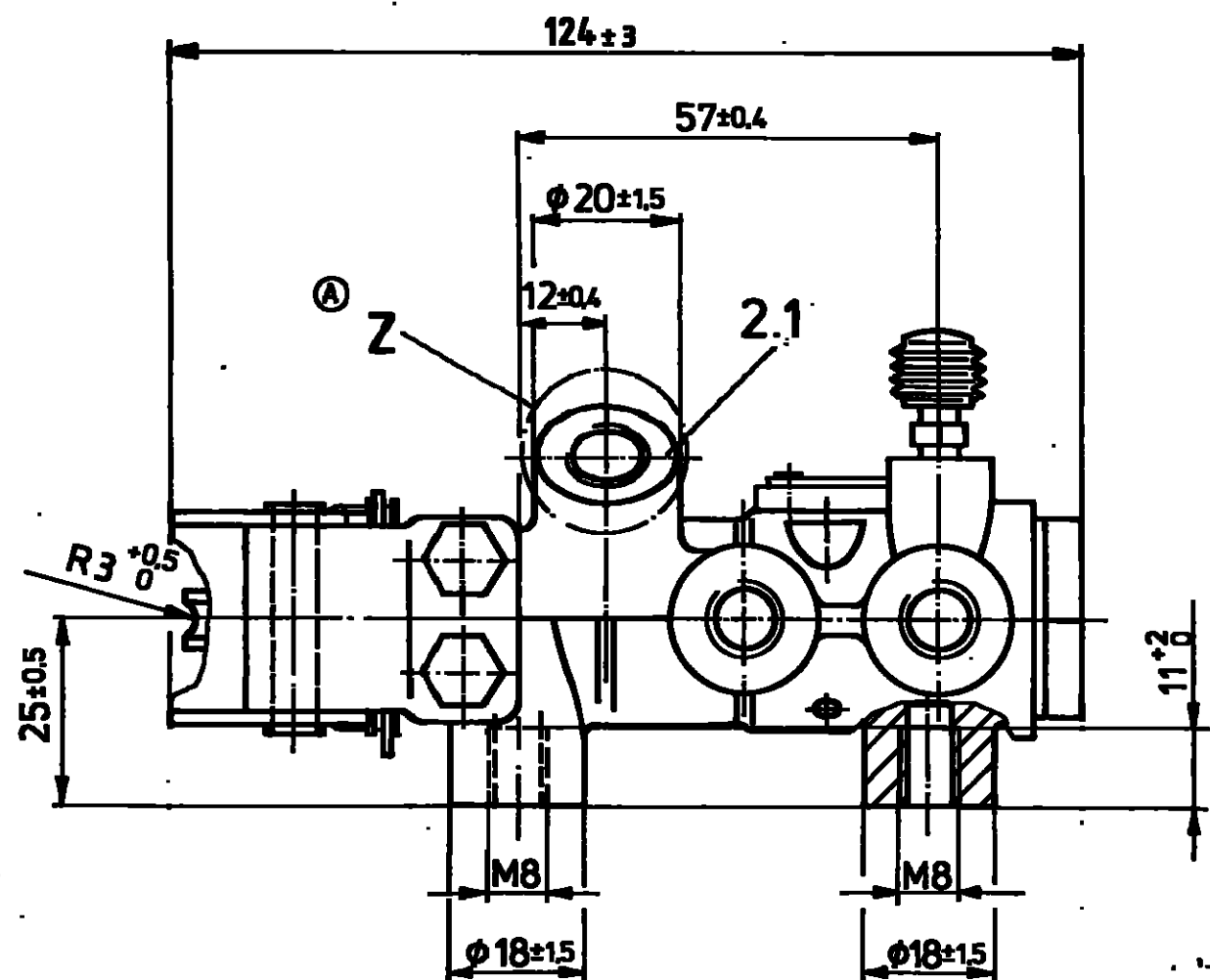
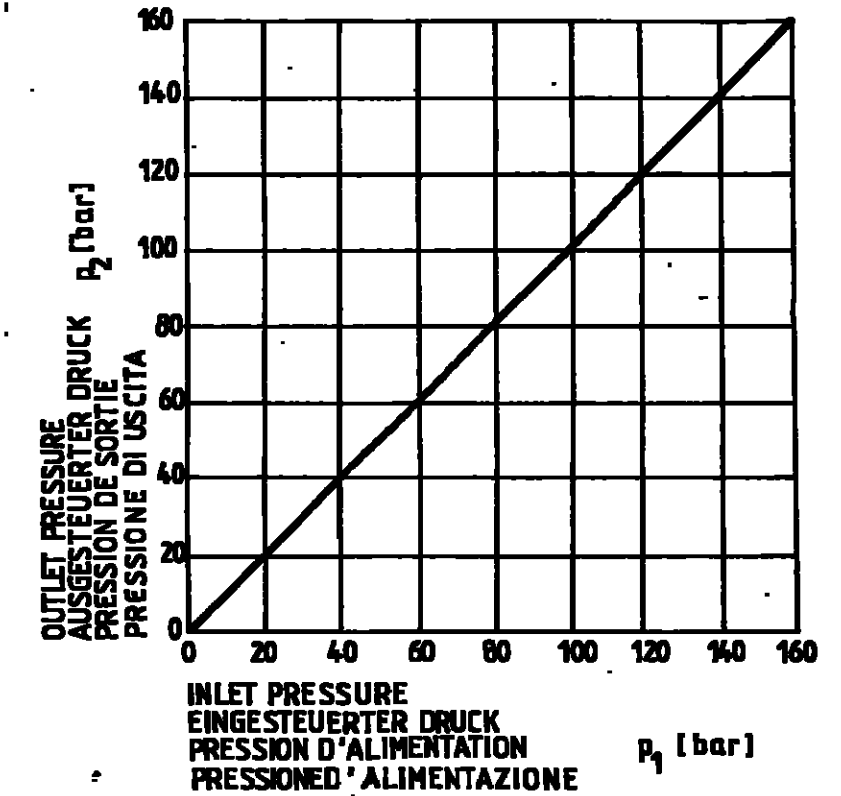
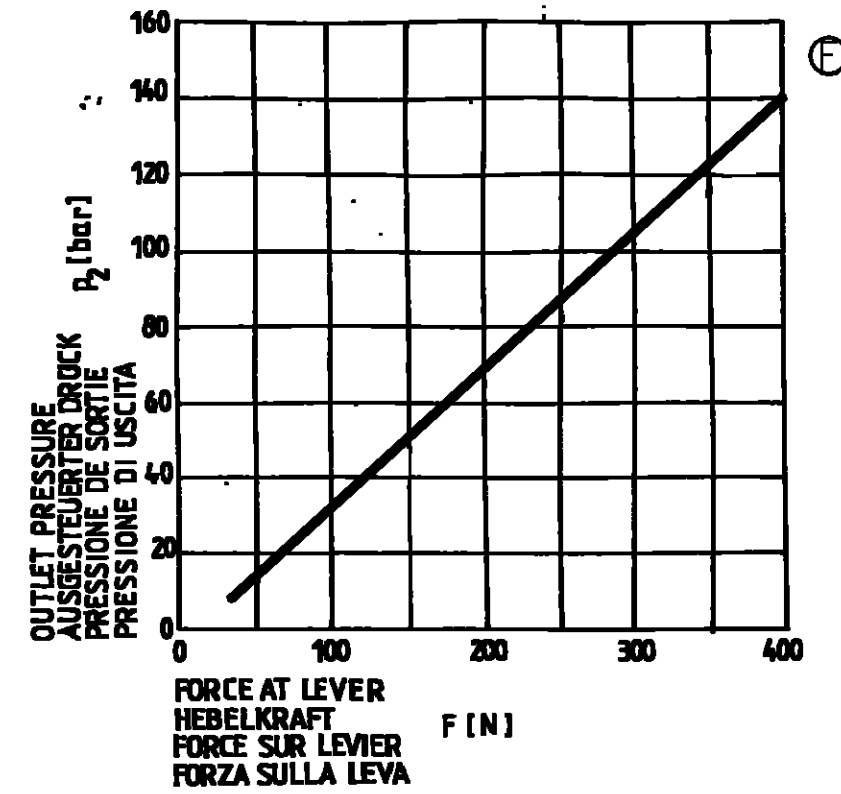


VALVE OPEN  
VENTIL GEOEFFNET  
VENTIL GESCHLOSSEN  
VALVE FERMEE  
VALVOLA CHIUSA



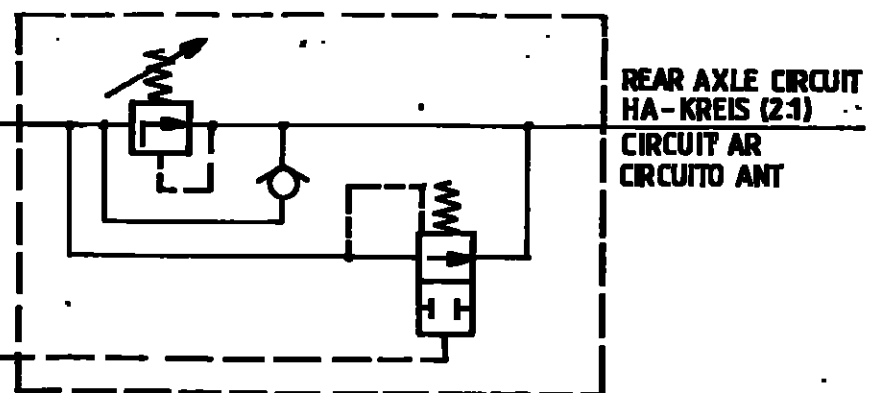
"Z" 2:1



REAR AXLE CIRCUIT  
HA - KREIS (1.1)  
CIRCUIT AR  
CIRCUITO ANT

REAR AXLE CIRCUIT  
HA - KREIS (2.1)  
CIRCUIT AR  
CIRCUITO ANT

FRONT AXLE CIRCUIT  
VA - KREIS (1.2)  
CIRCUIT AV  
CIRCUITO POST



WORKING PRESSURE  
BETRIEBSDRUCK  
PRESSION D'UTILISATION  
PRESSIONE DI ESERCIZIO max. 150 bar

MEDIUM  
MEDIUM  
FLUIDE  
FLUIDO

BRAKE FLUID  
BREMSFLUESSIGKEIT  
FLUIDE HYDRAULIQUE GLYC-ALC  
FLUIDO IDRAULICO GLIC-ALC

CONTROL RANGE  
REGELBEREICH  
GAMME DE REGULATION  
CAMPO DI REGOLAZIONE 10...150 bar

CONTROL VOLUME  
STEUERVOLUMEN  
VOLUME DE COMMANDE  
VOLUME DI COMANDO

REAR AXLE CIRCUIT	200 mm <sup>3</sup>
FRONT AXLE CIRCUIT	500
FAILURE AT REAR AXLE CIRCUIT	500
FAILURE AT FRONT AXLE CIRCUIT	450
HA - KREIS	200
VA - KREIS	500
AUSFALL HA - KREIS	500
AUSFALL VA - KREIS	450
CIRCUIT AR	200
CIRCUIT AV	500
DEFAULT CIRCUIT AR	500
DEFAULT CIRCUIT AV	450
CIRCUITO ANT	200
CIRCUITO POST	500
DEFETTO CIRCUITO ANT	500
DEFETTO CIRCUITO POST	450

THERMAL RANGE OF APPLICATION  
THERMISCHER ANWENDUNGSBEREICH  
GAMME D'APPLICATION THERMIQUE  
CAMPO DI APPLICAZIONE TERMICA -40°C...+80°C

INSTALLATION POSITION  
EINBAULAGE  
POSITION D'INSTALLATION  
POSIZIONE DI MONTAGGIO

PORT 1.1 AND 1.2 AT TOP  
ANSCHLUESSE 1.1 UND 1.2 OBEN LIEGEND  
ORIFICE 1.1 ET 1.2 EN HAUT  
ORIFIZO 1.1 E 1.2 IN ALTO

SURFACE PROTECTION FOR EXTERNAL STEEL PARTS  
OBERFLAECHENSCHUTZ FÜR AUSSENLIEGENDE STAHLTEILE  
PROTECTION DE SURFACE POUR PIECES EXTERIEURES EN ACCIER  
PROTEZIONE SUPERFICI PER PEZZE ESTERNE IN ACCIAIO GALZN 6C GELB

① SURFACE PROTECTION FOR BODY  
OBERFLAECHENSCHUTZ FÜR DAS GEHAUESE JED-378  
② PROTECTION DE SURFACE POUR CORPS  
PROTEZIONE SUPERFICI PER CORPO

DATE		DRAWN		WABCO	
83-07-19		Spoke		AUTOMLOAD-PROPORTIONING VALVE	
83-07-19		Hankel		CORRECTEUR DE FREINAGE	
83-08-08		Spoke		REGOLATORE AUTOM DEL FRENAT	
83-08-08		Spoke		AUTOM BREMSKRAFT REGLER	
059755	1x (F)	96-03-04			
058133	1x (E)	95-08-31			
53568	2x (D)	93-11-10			
37731	1x (C)	88-01-29			
36271	2x (B)	87-08-11			
34967	1x (A)	86-11-17			
CHANGE NO.	LEFT	DATE	SCALE	SIZE	T. RL
			0,8	A 2	140
CODE FOR FUNCTION			CODE - LHM SHARP		
468 402 007 0			530		
			605		

EXPERT CODE 744 TYPE OF PRODUCT 31X