

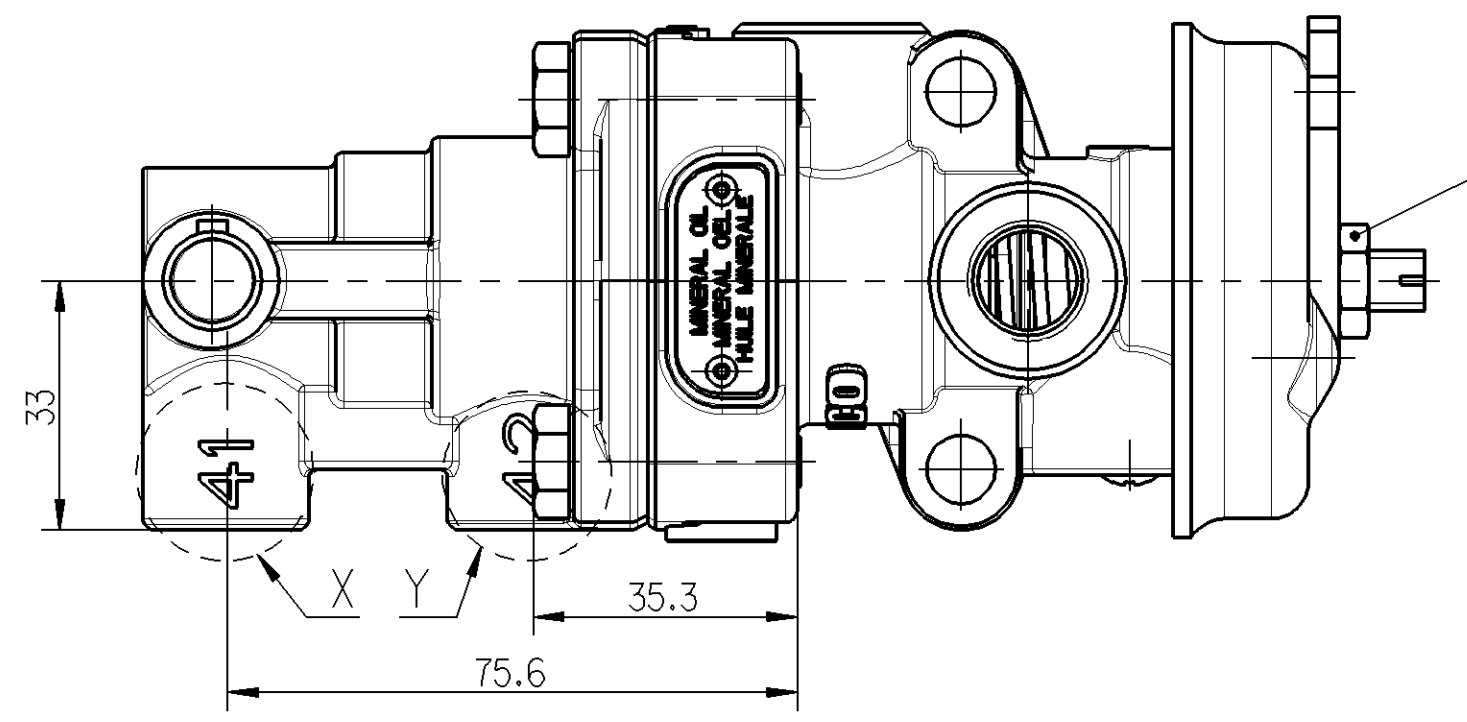
WIDTH ACROSS FLATS:
SCHLUESSELWEITE:
SURPLATS:
LARGHEZZA IN CHIAVE:
M=7.8Nm

LEAK OIL DISCHARGE
LECKOELLABFLUSS
RECUPERATION DE L' HUILE DE FUIÏTE
RECUPERERO DELL' OLIO DEFLUITO

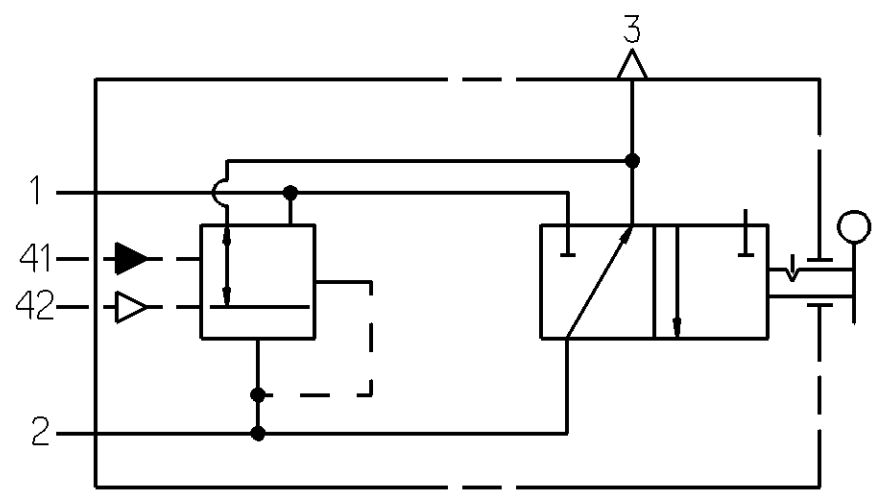
MIN. LENGTH OF HOSE:
MINDEST-SCHLAUCHLAENGE:
LONGUEUR DE FLEXIBLE MINI:
LUNGHEZZA DI FLESSIBILE MIN:

STROKE
HUB
COURSE
CORSO

MARKED WITH RED PAINT
MIT ROTEM LACK GEKENNZEICHNET
MARQUE AVEC VERNIS ROUGE
MARCARE CON VERNICE ROSSA

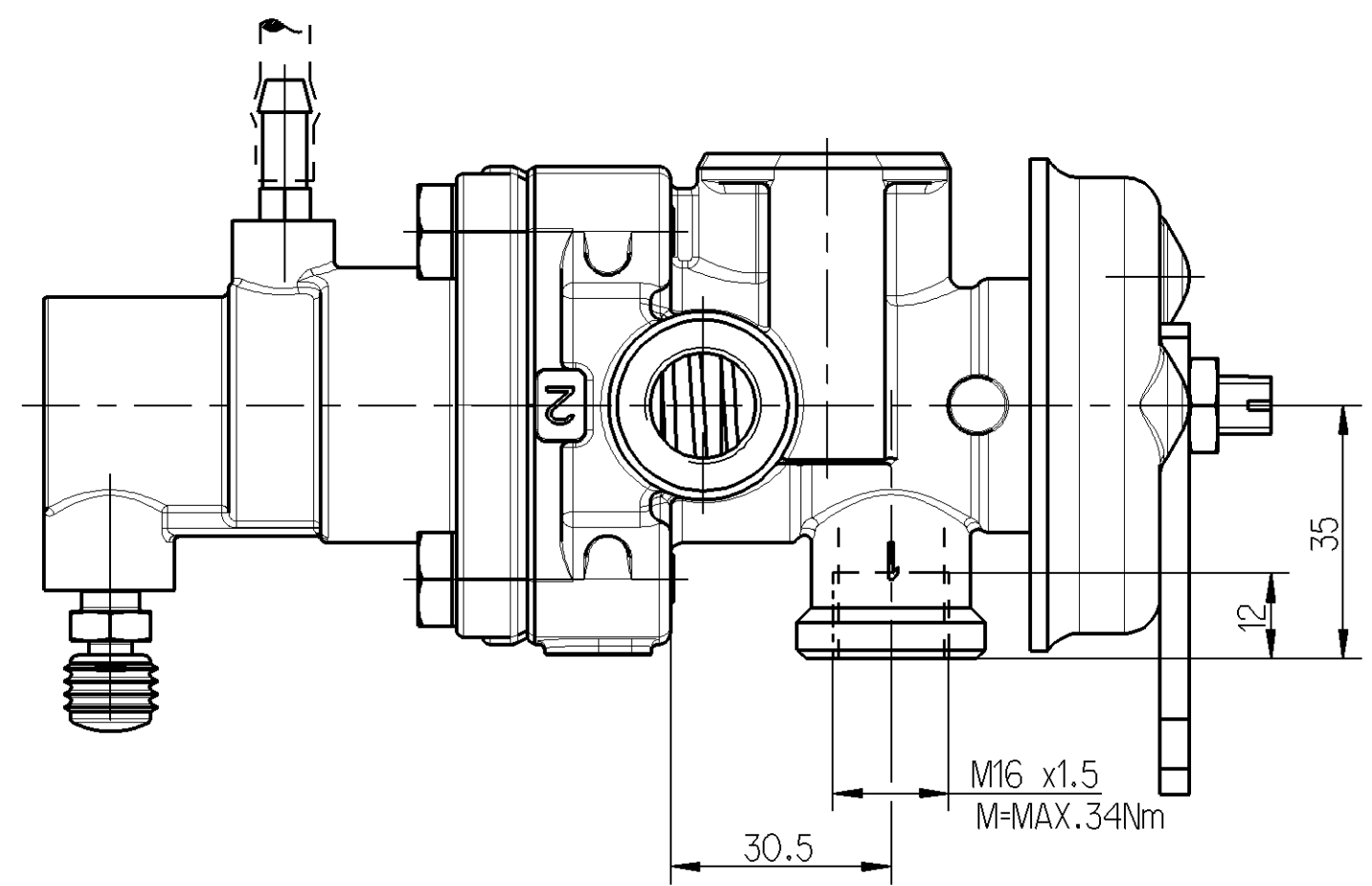
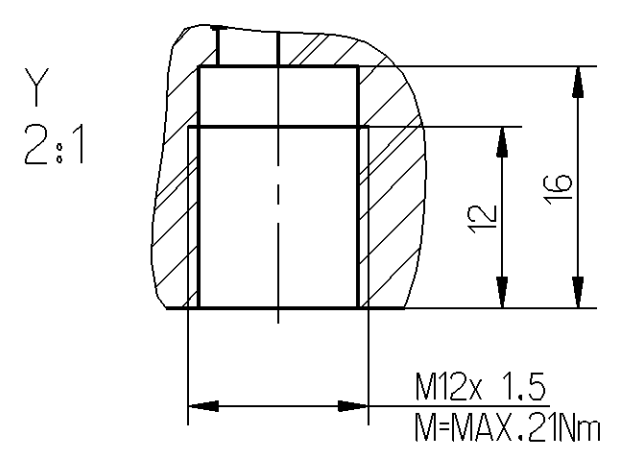
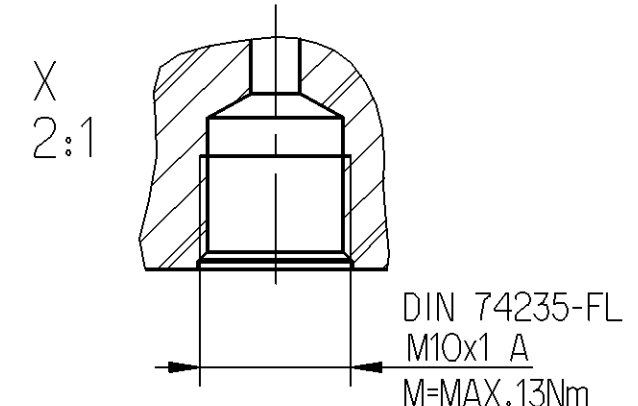


- SUPPLY 1 VORRAT ALIMENTATION ALIMENTAZIONE
 - OUTLET 2 AUSGANG SORTIE USCITA
 - EXHAUST 3 ENTLUEFTUNG ECHAPPEMENT SCARICO
- 41 HYDRAULIC CONTROL PRESSURE
HYDRAULISCHER STEUERDRUCK
PRESSION HYDRAULIQUE DE COMMANDE
PRESSIONE IDRAULICO DI COMANDO
- 42 PNEUMATIC CONTROL PRESSURE
PNEUMATISCHER STEUERDRUCK
PRESSION PNEUMATIQUE DE COMMANDE
PRESSIONE PNEUMATICA DI COMANDO
- MEDIUM PNEUMATIC PART: AIR
MEDIUM PNEUMATIKTEIL: LUFT
FLUIDE PARTIE PNEUMATIQUE: AIR
FLUIDO PARTE PNEUMATICA: ARIA
- WORKING PRESSURE:
BETRIEBSDRUCK: $p_e \text{ max.} = 8.1 \text{ bar}$
PRESSION D'UTILISATION: $p_e \text{ max.} = 10 \text{ bar}$
PRESSIONE DI ESERCIZIO: (TEMPORARILY: (KURZZEITIG: (DE COURTE DUREE: (BREVE TEMPO SOLO: $p_e \text{ max.} = 8.1 \text{ bar}$)
- MEDIUM PNEUMATIC PART: MINERAL OIL
MEDIUM PNEUMATIKTEIL: MINERALOEL
FLUIDE PARTIE PNEUMATIQUE: HUILE MINERALE
FLUIDO PARTE PNEUMATICA: OLIO MINERALE
- WORKING PRESSURE:
BETRIEBSDRUCK: $p_e \text{ max.} = 50 \text{ bar}$
PRESSION D'UTILISATION: $p_e \text{ max.} = 120 \text{ bar}$
PRESSIONE DI ESERCIZIO: (TEMPORARILY: (KURZZEITIG: (DE COURTE DUREE: (BREVE TEMPO SOLO: $p_e \text{ max.} = 50 \text{ bar}$)
- HYDRAULIC WORKING VOLUME:
HYDRAULISCHES ARBEITSVOLUMEN:
VOLUME HYDRAULIQUE ABSORBE: $41 \leq 2.0 \text{ cm}^3$
VOLUME IDRULICO ESERCIZIO:
- RESIDUAL PRESSURE IN THE HYDRAULIC SYSTEM:
RUECKHAL TEDRUCK IM HYDRAULIKSYSTEM:
PRESSION DE RETENUE AU SYSTEME HYDRAULIQUE: $p_{41} \leq 0.1 \text{ bar}$
PRESSIONE DI RITENUTA NEL SISTEMA IDRAULICO:
- THERMAL RANGE OF APPLICATION:
THERMISCHER ANWENDUNGSBEREICH: $-40^\circ\text{C} \dots +80^\circ\text{C}$
GAMME D'APPLICATION THERMIQUE:
CAMPO DI APPLICAZIONE TERMICA:



INSTALLATION:
EINBAULAGE:
POSITION D' INSTALLATION:
POSIZIONE DI MONTAGGIO:

VENTING SCREW MUST BE AT TOP
ENTLUEFTUNGSSCHRAUBE MUSS NACH OBEN ZEIGEN
BOUCHON DE PURGE DOIT ETRE MONTE EN HAUT
LA VITE DI SCARICO DEVE ESSERE IN ALTO



POSITION OF LEVER HEBELSTELLUNG POSITION DU LEVIER POSIZIONE DELLA LEVA		I	II
p1	8.1 bar	8.1 bar	
p2	0 bar	8.1 bar	

ADDITIONAL STROKE:
LEBERHUB:
COURSE ADDITIONNELLE:
SOVRACCORSA:

MAX. 55°

HANDBRAKE LAVER
ADJUSTABLE BY 120°
HANDREMSHEBEL
VERSTELLBAR UM 120°
LEVIER DU FREIN
A MAIN REGLABLE
TOUS LES 120°
LEVA DI COMANDO
A MANNO REGOLABILE 120°

General Specifications: JED-334-0		Copyright WABCO®	
Further Technical Data:		Date: Inven: Signature:	
Doc. Code:	Sheet: To:	2011-07-06	Chodorowski
General Tolerances JED-261		Checked: Fabion	
Range of Nominal Dimensions (± mm)		Expert: Fabion	
Class 1)	≤ 50	> 50 > 180	> 180 > 400
Fine	0.5	1.0	1.5
Medium	X 1.0	2.0	3.0
Course	2.0	3.5	5.0
Tapped Holes acc. ISO 4039 JED-152		Material No. 470 015 275 0	
1) Tolerance Class Applied Crossmarked		Date of first issue: 2011-07-07	
A 1 Pro/E		Doc.Code Language Sheet	
ECN No. Revision Techn. Resp. Replacement for		005 ML 1/1	
5830		100mm	