

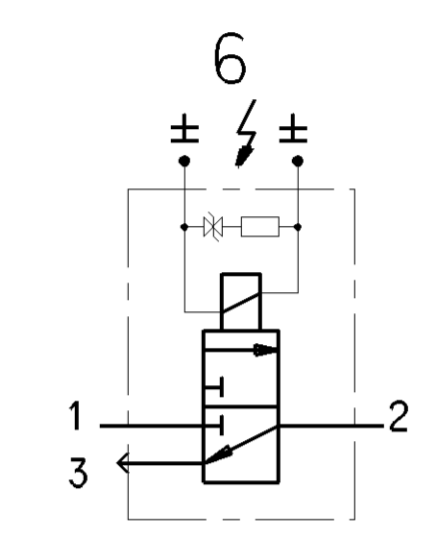
THE VALVE CORRESPONDS TO THE REGULATIONS FOR ELECTROMAGNETIC DEVICES ACCORDING TO DIN VDE 0580
DAS GERAET ENTSPRICHT DEN BESTIMMUNGEN FUEER ELEKTROMAGNETISCHE GERAETE NACH DIN VDE 0580

| | | |
|---|---|--|
| MEDIUM : AIR MEDIUM : LUFT | VOLTAGE SPANNUNG | : 24 _{±0.5} V DC |
| WORKING PRESSURE BETRIEBSDRUCK | RATED CURRENT NENNSTROM | : 0.69 A |
| PROTECTION CLASS SCHUTZKLASSE | DUTY RATIO RELATIVE EINSCHALTDAUER | : 100% ED |
| NOMINAL DIAMETER SUPPLY NENNWEITE BELUEFTUNG | EXHAUST ENTLUEFTUNG | Ø4mm Ø4mm |
| THERMAL RANGE OF APPLICATION THERMISCHER ANWENDUNGSBEREICH | PERMISSIBLE PRESSURE ZULAESSIGER DRUCK | : -40°C...+80°C : p _a max 13 bar |
| COIL RESISTANCE SPULENWIDERSTAND | NOMINAL PERFORMANCE NENNLEISTUNG | : R ₂₀ = 35±2Ω : 16.5 W |
| DEGREE OF PROTECTION SCHUTZART | IP 6K6 AND IP 6K9K IP 6K7 | WITH SEALED CONNECTIONS 1, 2, 6 MIT ABGEDICHTETEN ANSCHLUESSEN 1, 2, 6 WITH SEALED CONNECTIONS 1, 2, 3, 6 MIT ABGEDICHTETEN ANSCHLUESSEN 1, 2, 3, 6 |

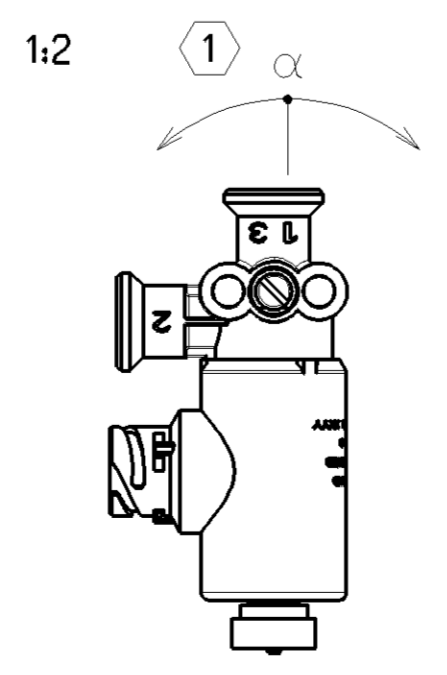
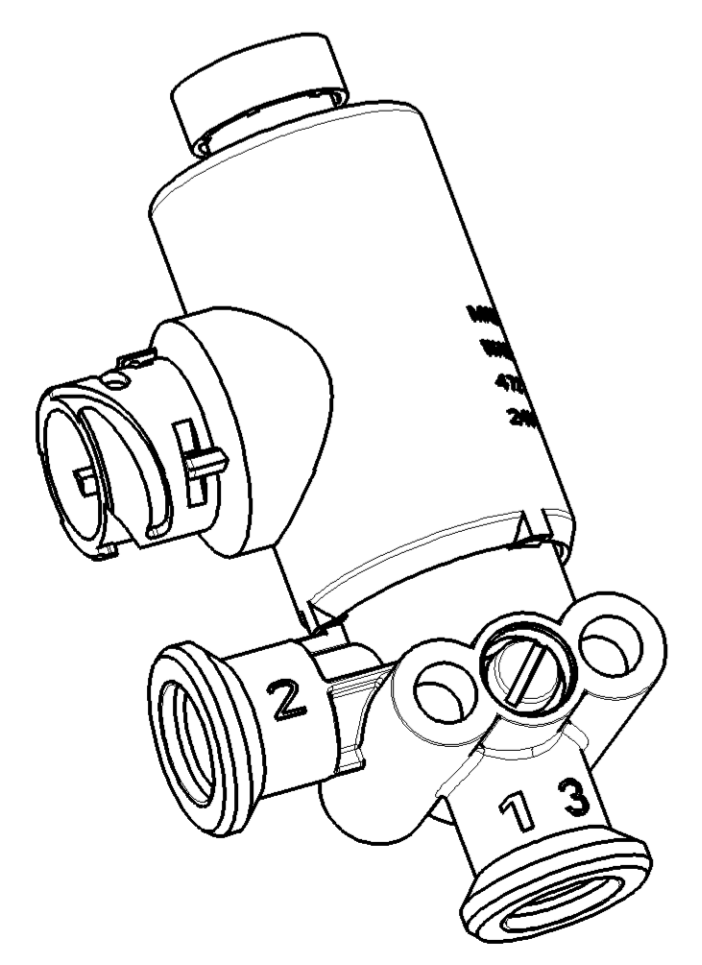
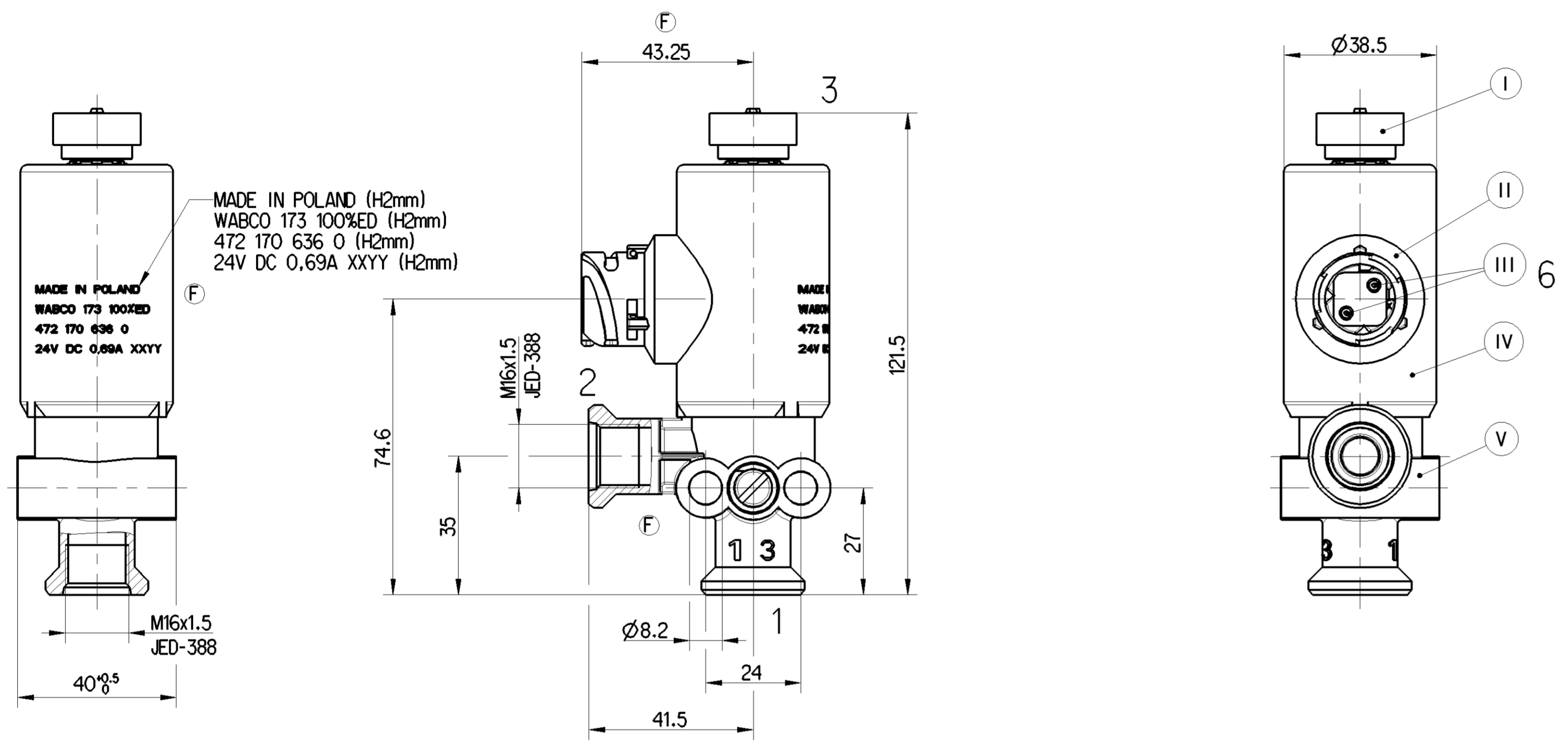
CUT-OUT VOLTAGE PEAKS : < 180 V
ABSCHALTSPANNUNGSSPITZEN : < 180 V

① WHEN INSTALLED AS TRACTION CONTROL SYSTEM VALVE (SEE (SIEHE 400 000 500 0 / 435); ± 30°
BEI EINBAU ALS ASR VENTIL

| MATERIAL WERKSTOFF | SURFACE PROTECTION OBERFLAECHENSCHUTZ |
|-----------------------|--|
| I JED-354-1 | / - |
| II JED-559 | / - |
| III JED-570-616 | / - |
| IV JED-303 | / JED-739-0 |
| V JED-004-M | / JED-260 |



- 1 SUPPLY
ENERGIEZUFLUSS VOM VORRAT
 - 2 DELIVERY OF ENERGY
ENERGIEABFLUSS IN DIE ARBEITSLEITUNG
 - 3 EXHAUST
ANSCHLUSS ATMOSPHAERE
 - 6 ELECTRIC TERMINAL
ELEKTRISCHER ANSCHLUSS
- CONNECTOR
STECKVERBINDER DIN 72585-A1-2.1-Sn/K2



Non è permesso copiare o riprodurre questo documento, né utilizzare il contenuto a fini commerciali, senza permesso scritto dalla WABCO. È vietata espressamente la ristampa o l'uso non autorizzato. Toute réimpression ou utilisation non autorisée sans la permission écrite de la WABCO est formellement interdite. Toute réimpression ou utilisation non autorisée sans la permission écrite de la WABCO est formellement interdite.

| | | | |
|---|-----------|----------------------|--------------|
| General Specifications: JED-334-0 - Size ISO 14-405-1 E | | Copyright WABCO® | |
| Further Technical Data: | | Date | Signature |
| Doc. Code: | Sheet: To | 2019-03-01 | Kosprzak |
| General Tolerances JED-261 | | Checked | Biolon |
| Range of Nominal Dimensions (± mm) | | Expert | |
| Class | 1) ≤ 50 | 2) 50 > 180 | 3) 180 ≤ 400 |
| Fine | 0.5 | 1.0 | 1.5 |
| Medium | 1.0 | 2.0 | 3.0 |
| Coarse | 2.0 | 3.5 | 5.0 |
| Tapped Holes acc. JED-152 | | ±3° | |
| 1) Tolerance Class Applied Crossmarked | | CAD System | |
| A 1 | | Mass | Scale |
| 164578 | | 0.5 | 1:1 |
| 3x F | | Size | CAD System |
| 5800_EM | | Material No. | |
| 472 170 636 0 | | Date of first issue: | |
| 005 DE 1/1 | | Doc. Code | Language |
| 5800_EM | | Revision | Techn. Resp. |
| 472 170 636 0 of 96-06-26 | | Replacement for | |