

THE VALVE CORRESPONDS TO THE REGULATIONS FOR ELECTROMAGNETIC DEVICES ACCORDING TO DIN VDE 0580
 DAS GERÄT ENSPRICHT DEN BESTIMMUNGEN FÜR ELEKTROMAGNETISCHE GERÄTE NACH DIN VDE 0580
 LE VALVE CORRESPOND AUX CONDITIONS POUR DES APPAREILS ELECTROMAGNETIQUES SUIVANT DIN VDE 0580
 LA VALVOLA CORRISPONDE ALLE CONDIZIONI PER APPARECCHI ELETTROMAGNETICHI SECONDO DIN VDE 0580

MEDIUM : AIR
 MEDIUM : LUFT
 FLUIDE : AIR
 FLUIDO : ARIA

NOMINAL CURRENT : 0.41 A
 NENNSTROM : 0.41 A
 COURANT NOMINAL : 0.41 A
 CORRENTE NOMINALE : 0.41 A

VOLTAGE : 24^{-6.5} V DC
 SPANNUNG : 24^{-6.5} V DC
 VOLTAGE : 24^{-6.5} V DC
 VOLTAGGIO : 24^{-6.5} V DC

PERMISSIBLE SWITCH PRESSURE : I => II : (p₁ + p₂) - p₃ = 0...11 bar
 ZULAESSIGER SCHALDRUCK : I => II : (p₁ + p₂) - p₃ = 0...11 bar
 PRESSION DE OUVERTURE/FERMETURE ADMISSIBLE : II => I : (p₂ + p₃) - p₁ = 0...3 bar
 PRESSIONE AMMISSIBILE : II => I : (p₂ + p₃) - p₁ = 0...3 bar

PERMISSIBLE PRESSURE : p₁ = p₂ : 16 bar : p₃ - (p₁ + p₂) = 0...3 bar
 ZULAESSIGER DRUCK : p₁ = p₂ : 16 bar : p₃ - (p₁ + p₂) = 0...3 bar
 PRESSION AMMISSIBILE : p₁ = p₂ : 16 bar : p₃ - (p₁ + p₂) = 0...3 bar
 PRESSIONE AMMISSIBILE : p₁ = p₂ : 16 bar : p₃ - (p₁ + p₂) = 0...3 bar

NOMINAL DIAMETER SUPPLY Ø2.2mm, EXHAUST Ø2.2mm
 NENNWEITE BELUEFTUNG Ø2.2mm, ENTLUEFTUNG Ø2.2mm
 DIAMETRE NOMINAL ALIMENTATION Ø2.2mm, ECHAPPEMENT Ø2.2mm
 DIAMETRO NOMINALE ALIMENTAZIONE Ø2.2mm, SCARICO Ø2.2mm

RELATIVE DUTY CYCLE : 100% ED
 RELATIVE EINSCHALTDAUER : 100% ED
 PLAGE DE UTILISATION :
 DURATE DELL'INSERIMENTO :

THERMAL RANGE OF APPLICATION : -40°C...+100°C
 THERMISCHER ANWENDUNGSBEREICH : -40°C...+100°C
 PLAGE THERMIQUE D'APPLICATION :
 CAMPO DI APPLICAZIONE TERMICA :

PROTECTION CLASS : III
 SCHUTZKLASSE : III
 CLASSE DE PROTECTION : III
 CLASSE DI PROTEZIONE : III

TYPE OF PROTECTION : AND WITH SEALED CONNECTIONS 1, 2, 3, 6
 SCHUTZART : IP 6K9K UND IP 6K7 MIT ABGEDICHTETEN ANSCHLUESSEN 1, 2, 3, 6
 MODE DE PROTECTION : ET AVEC CONNEXIONS ETANCHEES 1, 2, 3, 6
 TIPO DI PROTEZIONE : E CON CONNESSIONI SIGILLATI 1, 2, 3, 6

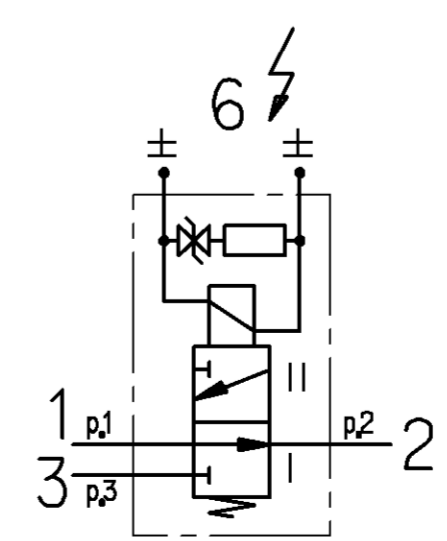
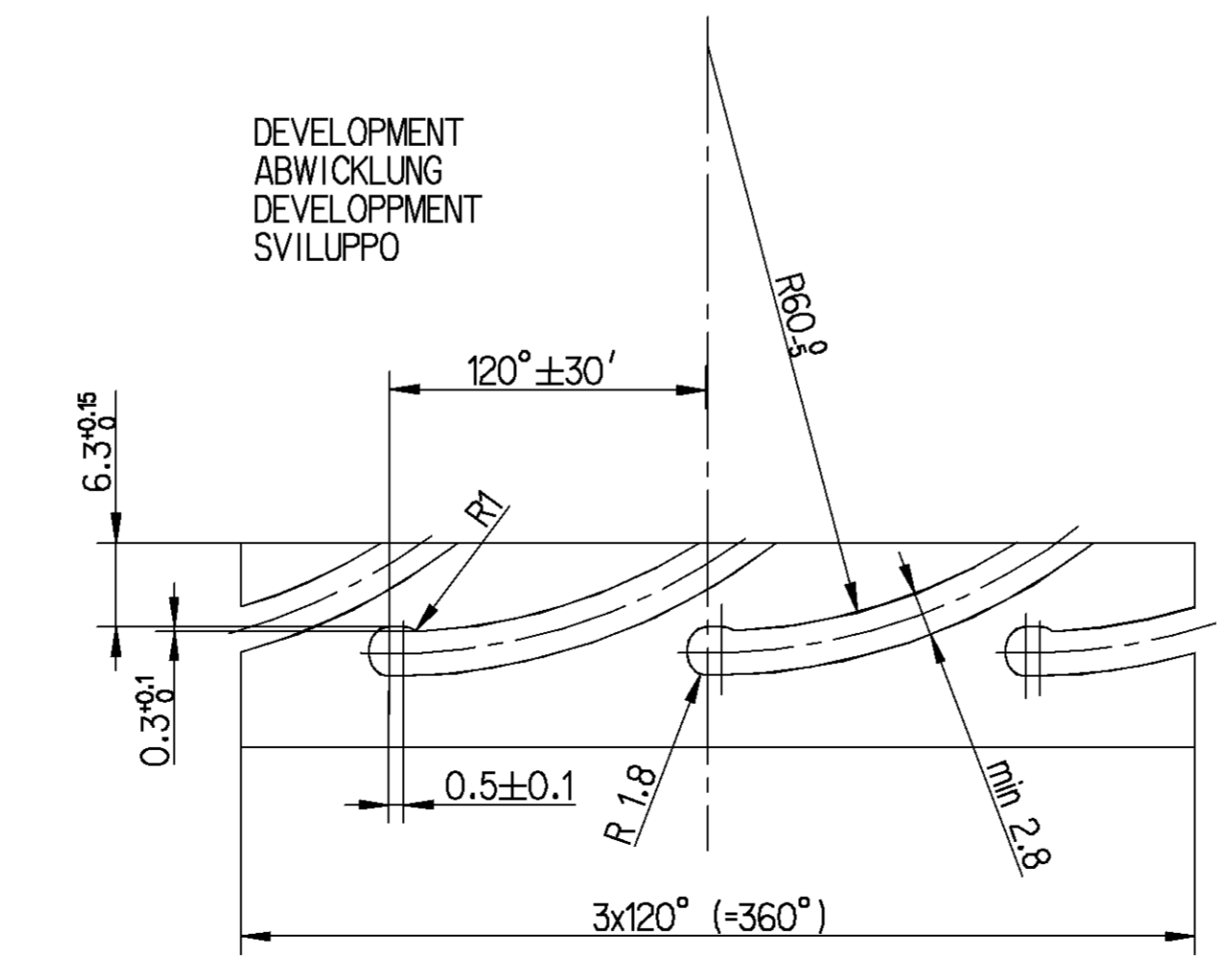
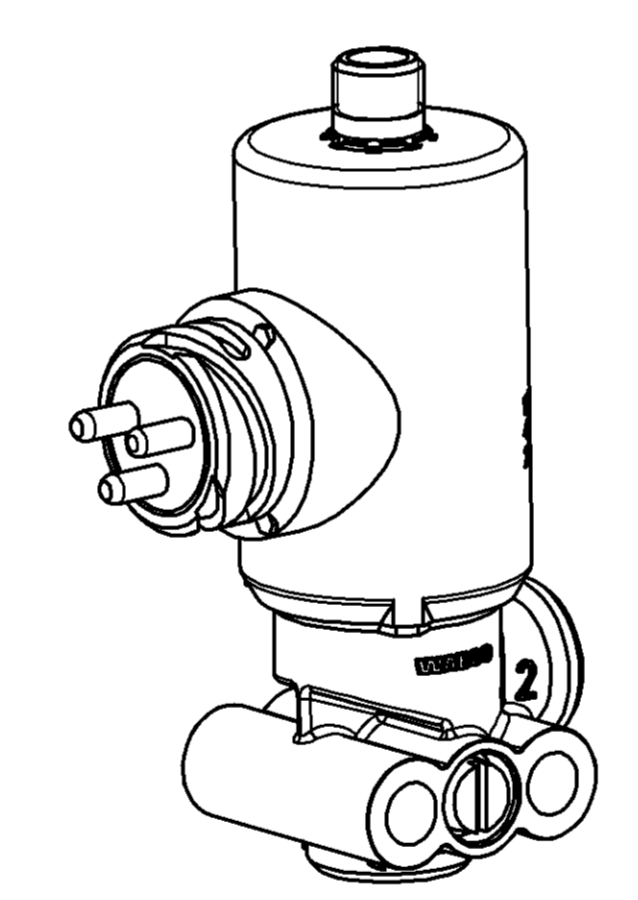
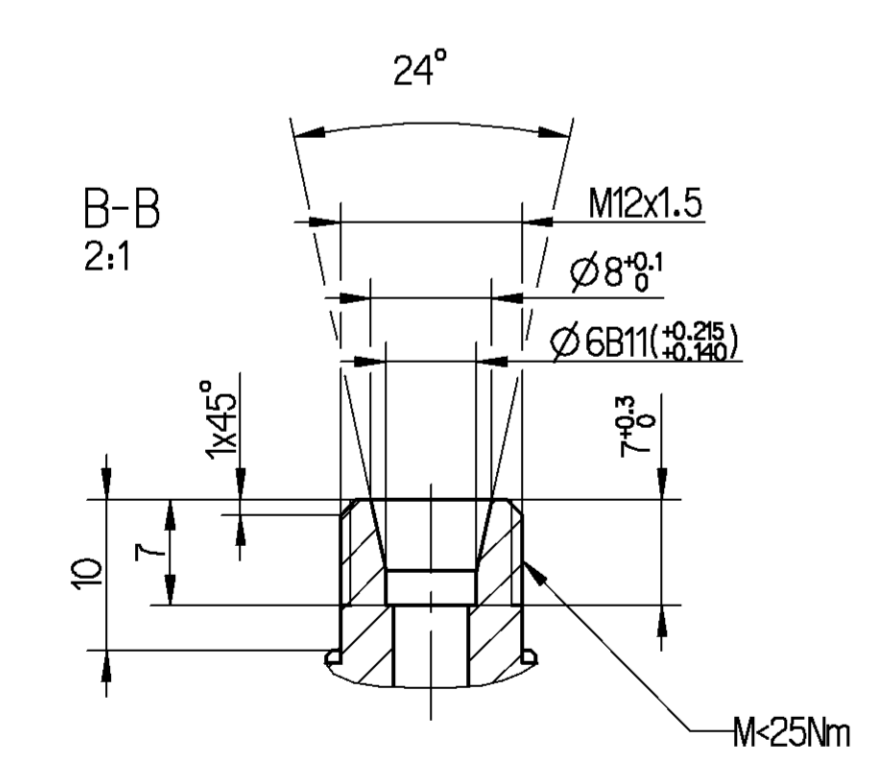
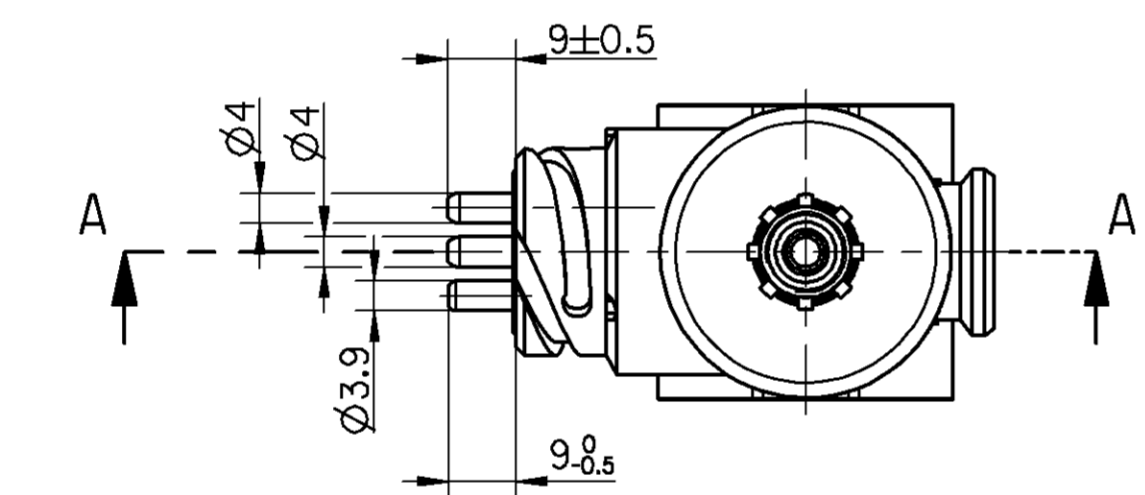
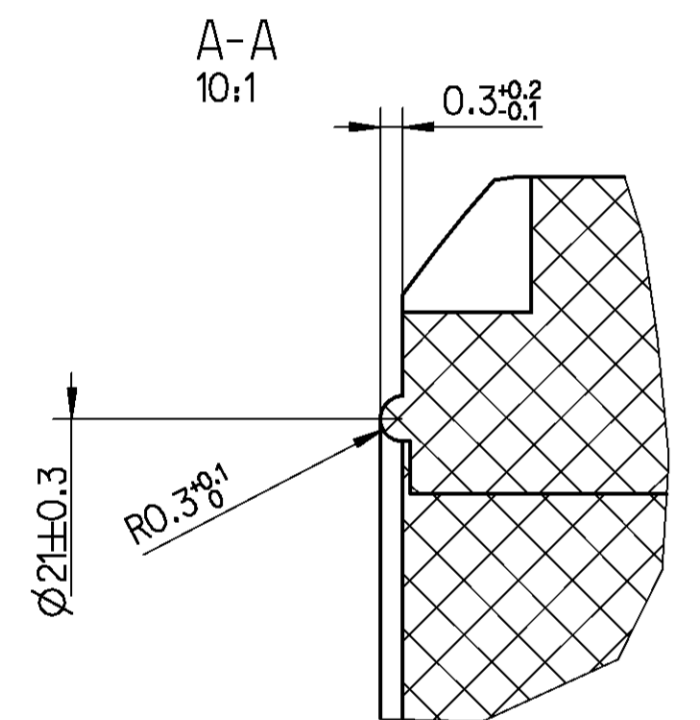
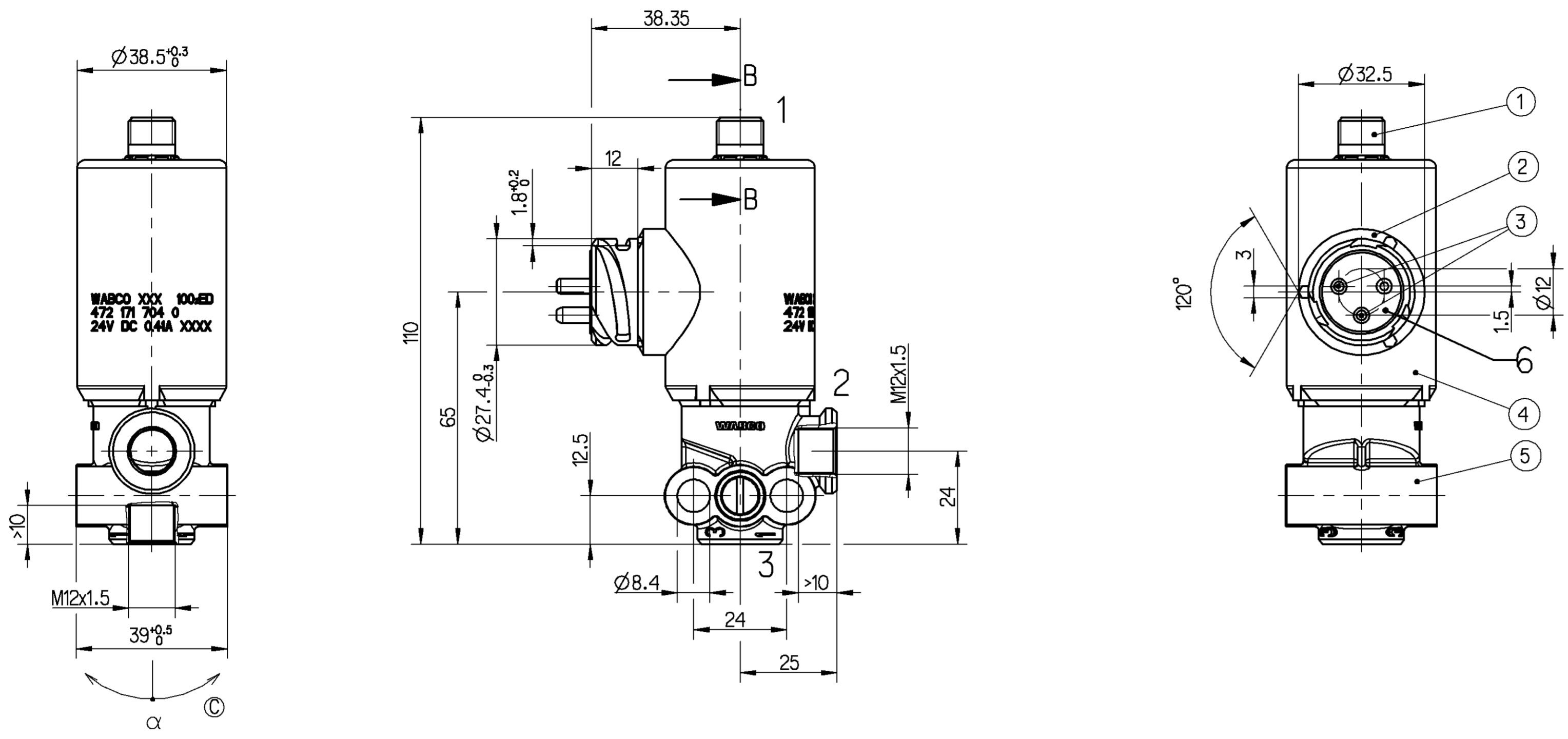
POSITION OF INSTALLATION : OPTIONAL BUT WITHOUT SEALED CONNECTION 3
 EINBAULAGE : BELIEBIG JEDOCH OHNE ABGEDICHTETEN ANSCHLUSS 3
 POSITION D'INSTALLATION : AU CHOIX MAIS SANS CONNEXION ETANCHEE 3
 POSIZIONE DI MONTAGGIO : A PIACERE PURCHE SENZA CONNESSION SIGILLATI 3

α = ±45°

VOLTAGE PEAKS ON BREAKING : <165IV
 ABSCHALTSPANNUNGSSPITZEN : <165IV
 VOLTAGE DEDE POINTE ALA RUPTURE : <165IV
 VOLTAGGI DELLE PUNTE ALLA ROTTURA : <165IV

- 1 SUPPLY
ENERGIEZUFLOSS VOM VORRAT
ALIMENTATION
ALIMENTAZIONE
- 2 DELIVERY
ENERGIEABFLUSS IN DIE ARBEITSLAUFUNG
UTILISATION
MANDATA
- 3 EXHAUST
ANSCHLUSS ATMOSPHAERE
ECHAPPEMENT
SCARICO
- 6 ELECTRIC TERMINAL
ELEKTRISCHER ANSCHLUSS
BORNE ELECTRIQUE
MORSETTI ELETTRICI

MATERIAL / SURFACE PROTECTION WERKSTOFF / OBERFLAECHENSCHUTZ MATIERE / PROTECTION DE SURFACE MATERIALE / PROTEZIONE SUPERFICIALE	
①	JED-565
②	JED-559
③	JED-570.656
④	JED-303 JED-739-0
⑤	JED-004M JED-260



GENERAL SPECIFICATION: JED-334-0		PRO/ENGINEER DRAWING COPYRIGHT	
FURTHER TECHNICAL DATA:		DATE: 02-04-19	
DOC. CODE: SHEET: TO:		DRAWN: Runge	
GENERAL TOLERANCES		CHECKED: Roviro	
CLASS 1) < 50 > 50 > 180 > 180 > 400 > 400		EXPERT CODE: 7 2 6	
FINE X 0.5 1.0 1.5 2.0		MASS: 0.5 kg	
MEDIUM X 1.0 2.0 3.0 4.0		SCALE: 1:1 (2:1)	
COARSE 2.0 3.5 5.0 6.5		SIZE: TRI	
TAPPED HOLES ACC. ISO 4039 / JED-532		PRODUCT IDENTIFICATION NO. 472 171 704 0	
1) TOLERANCE CLASS APPLIED CROSSMARKED		FUNCTION CODE: 9 2	
DOH-NO. REV. DATE: 081358 3x3 02-04-19		SHEET NO. 605	
		SHEET TOTAL 1/1	
		REPLACEMENT FOR: 1472 171 704 0 of 95-03-20	

TUTTLE COMMUNICATIONS CORPORATION...
 ALL RIGHTS RESERVED...
 NO PART OF THIS DOCUMENT...
 THIS DOCUMENT IS THE PROPERTY OF...
 IT IS TO BE KEPT IN CONFIDENCE...
 IT IS TO BE RETURNED TO THE...
 IT IS TO BE DESTROYED...
 IT IS TO BE KEPT IN CONFIDENCE...
 IT IS TO BE RETURNED TO THE...
 IT IS TO BE DESTROYED...