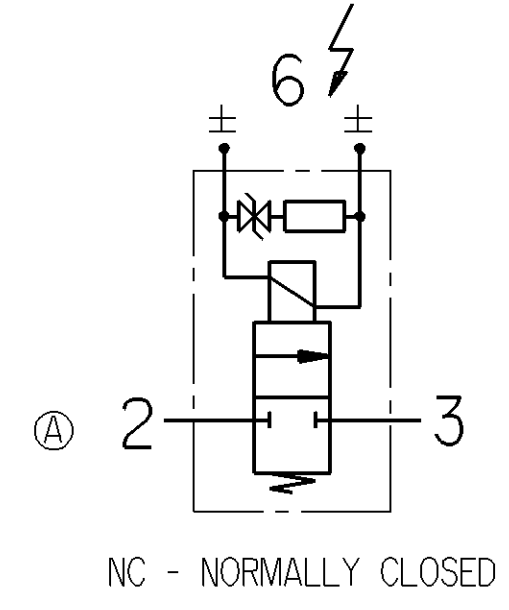
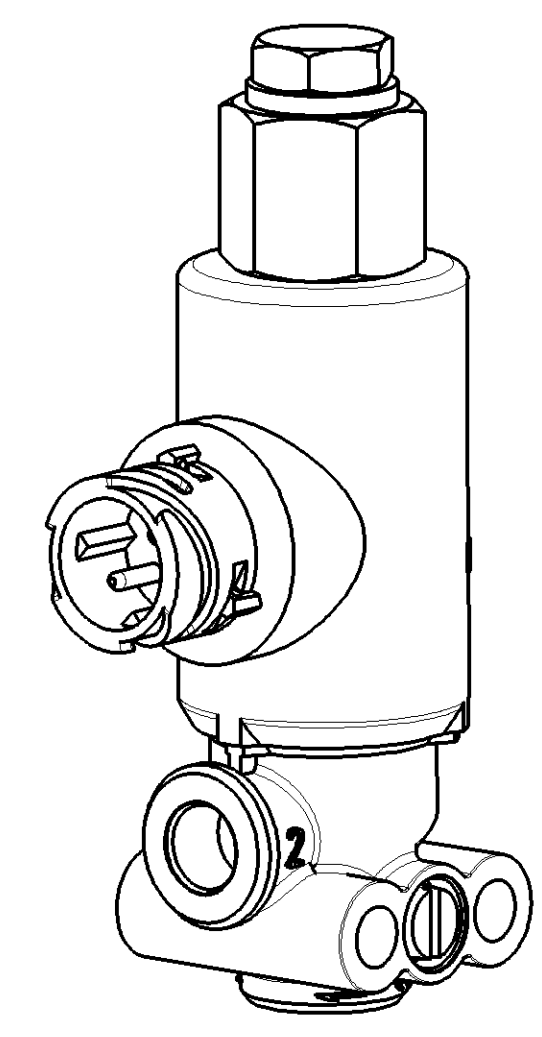
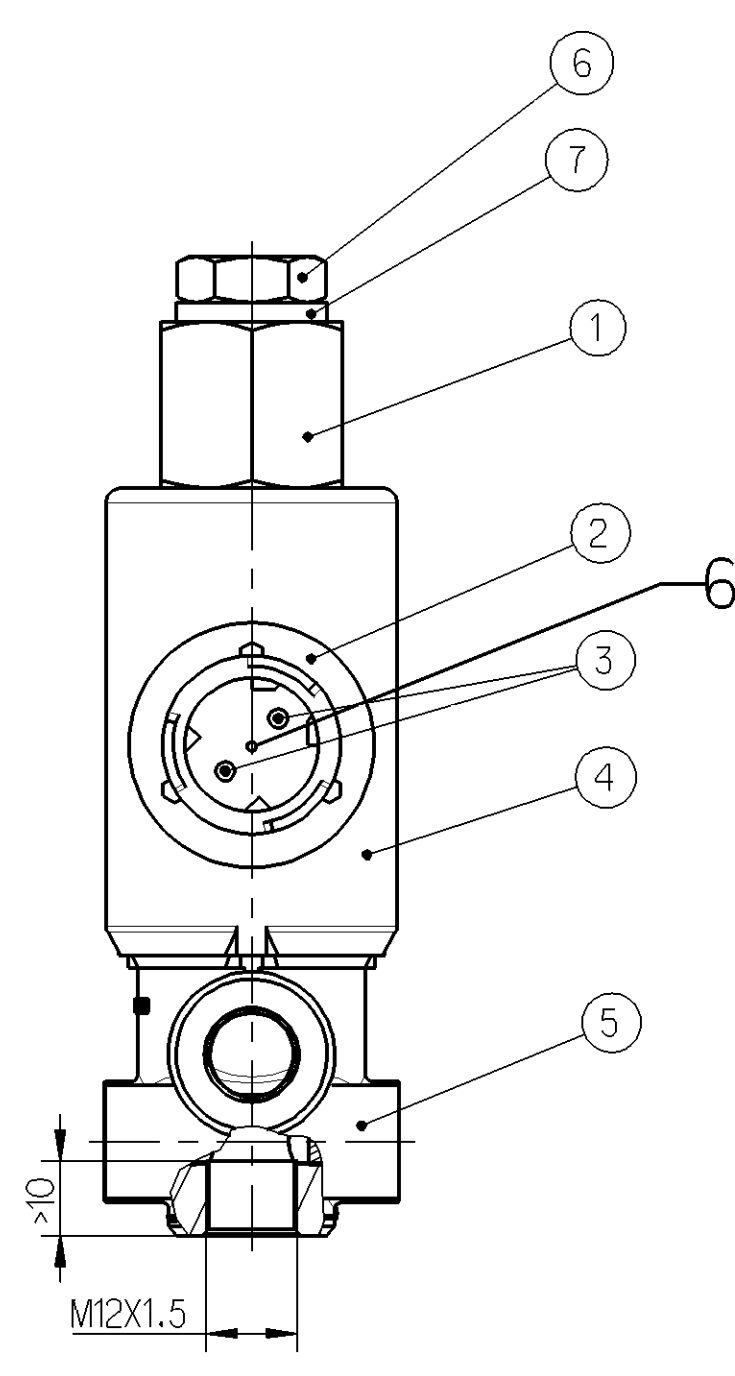
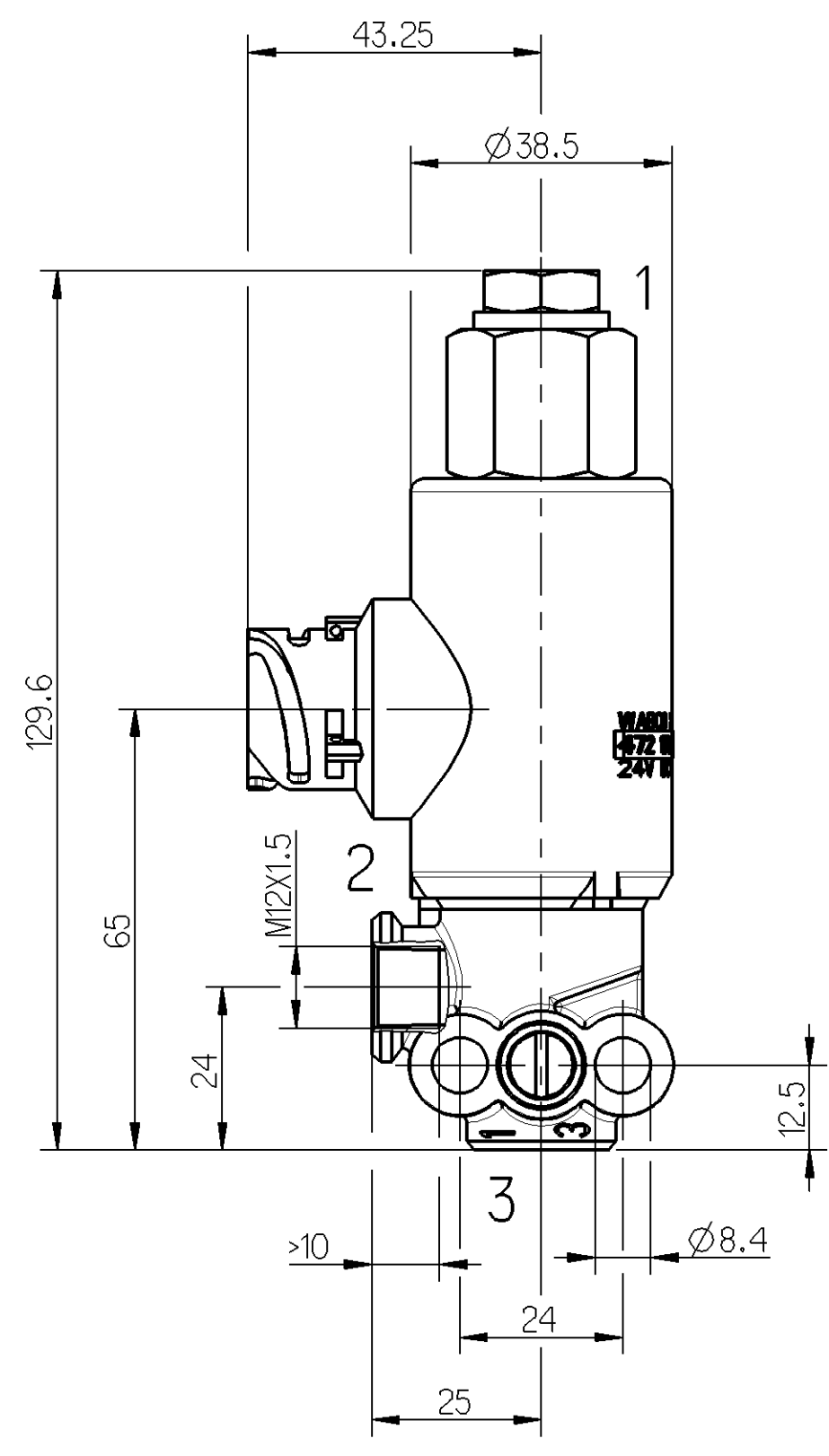
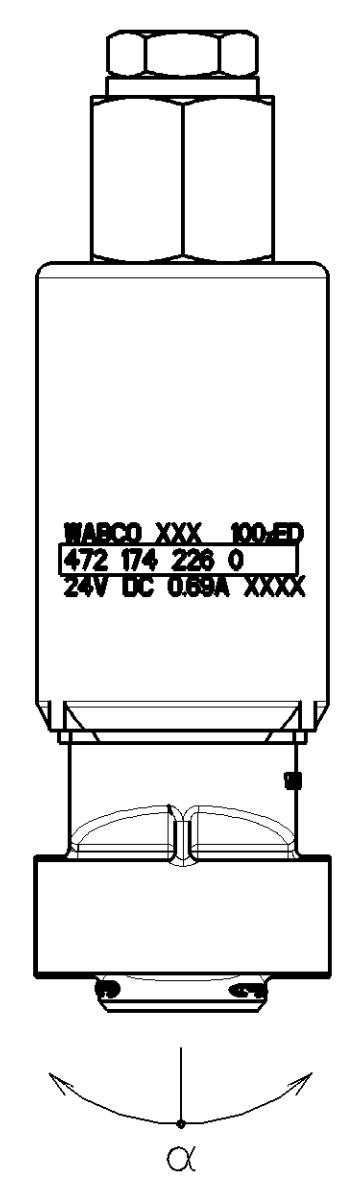


THE VALVE CORRESPONDS TO THE REGULATIONS FOR ELECTROMAGNETIC DEVICES ACCORDING TO DIN VDE 0580

MEDIUM	AIR
VOLTAGE	24 <sup>+8</sup> <sub>-6.5</sub> V DC
WORKING PRESSURE : p <sub>e</sub>	0...11 bar AT 21.6...32 V DC 0...8 bar AT 17.5...32 V DC
PERMISSIBLE PRESSURE	p <sub>e</sub> < 13 bar
NOMINAL CURRENT	0.69 A
NOMINAL DIAMETER	DELIVERY $\varnothing$ 4mm
RELATIVE DUTY CYCLE	100% ED
THERMAL RANGE OF APPLICATION	-40°C...+80°C
PROTECTION CLASS	III
TYPE OF PROTECTION	IP 6K9K
	IP 6K7 WITH SEALED CONNECTIONS 1, 2, 3, 6
POSITION OF INSTALLATION	OPTIONAL
BUT WITHOUT SEALED CONNECTION 3	$\alpha = \pm 45^\circ$
VOLTAGE PEAKS ON BREAKING	<180IV

Ⓐ

1	CLOSED
2	SUPPLY
3	DELIVERY
6	ELECTRIC TERMINAL PLUG CONNECTION DIN 72 585-A1-2.1-Sn/K2



MATERIAL / SURFACE PROTECTION	
①	JED-035M1
②	JED-559
③	JED-570.616
④	JED-303 JED-739-0
⑤	JED-004M JED-260
⑥	JED-020 JED-256-5
⑦	JED-020 JED-256-5

General Specifications: JED-334-0 - Size ISO 14405-1 E		Copyright WABCO®	
Further Technical Data:		Date	Signature
Doc. Code	Sheet	Drawn	2013-04-05
General Tolerances JED-261		Checked	KRISHNAA
Range of Nominal Dimensions ( ± mm)		Expert	2013-04-05
Class 1)	≤ 50	2.0	Senhilmurugan
	> 50	3.0	
	≤ 180	4.0	
	> 180	5.0	
	≤ 400	6.3	
	> 400	±3*	
Medium X	1.0	2.0	
Coarse	2.0	3.5	
Tapped Holes acc.		Size	Pro/E
1) Tolerance Class Applied Crossmarked		Material No.	472 174 226 0
		Scale	1:1 (2:1)
		Material No.	472 174 226 0
		Date of first issue	2013-02-26
		Doc. Code	005 EN
		Language	EN
		Sheet	1/1
		Revision	2 A
		Techn. Resp.	5800_WIN
		Replaced for	

Toute communication de reproduction de ce document, toute exploitation ou communication de son contenu sont interdites, sauf autorisation écrite de WABCO. Toute réimpression, traduction, copie, diffusion, utilisation ou communication de ce document sans autorisation écrite de WABCO est formellement interdite. This document is the property of WABCO. All rights reserved. No part of this document may be reproduced, stored in a retrieval system, or transmitted, in any form or by any means, electronic, mechanical, photocopying, recording, or by any information storage and retrieval system, without the prior written permission of WABCO.