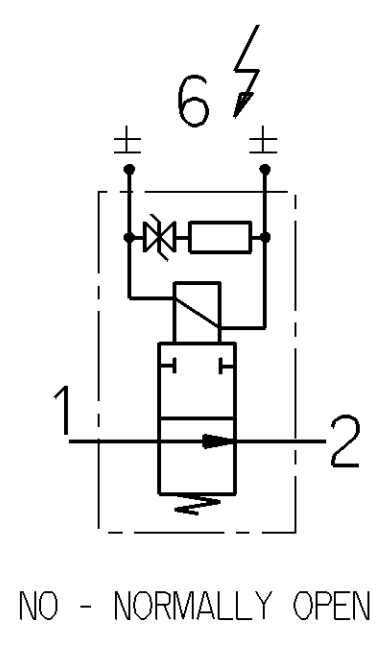
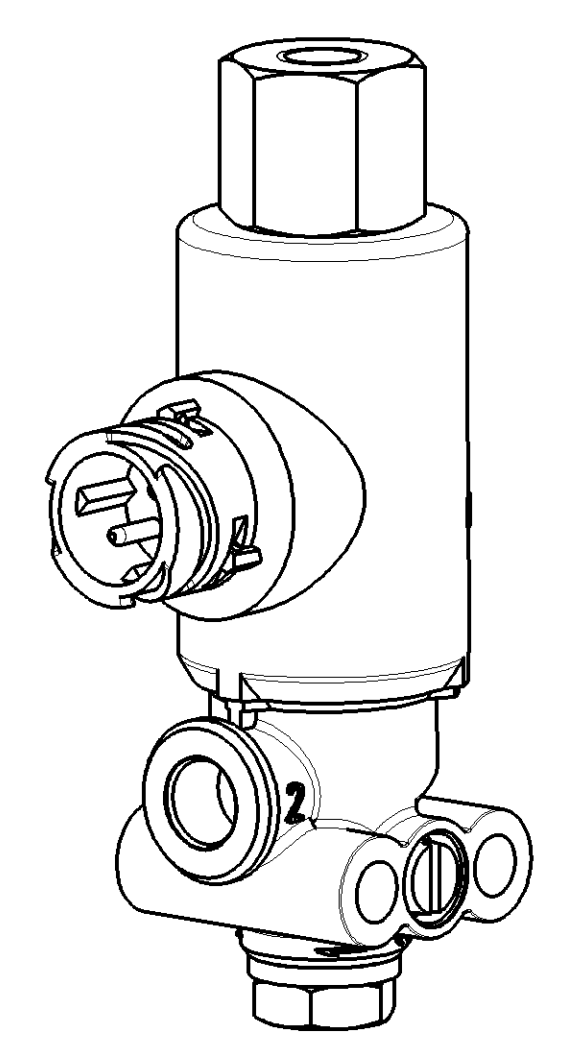
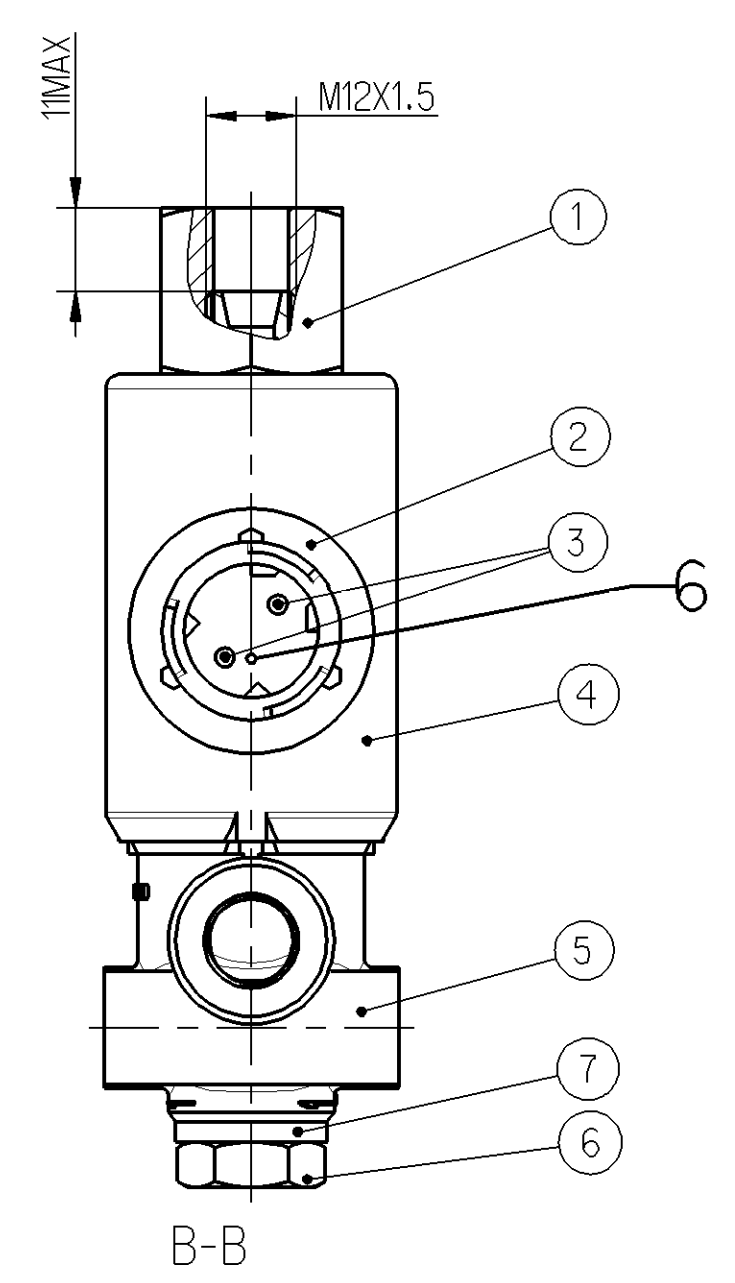
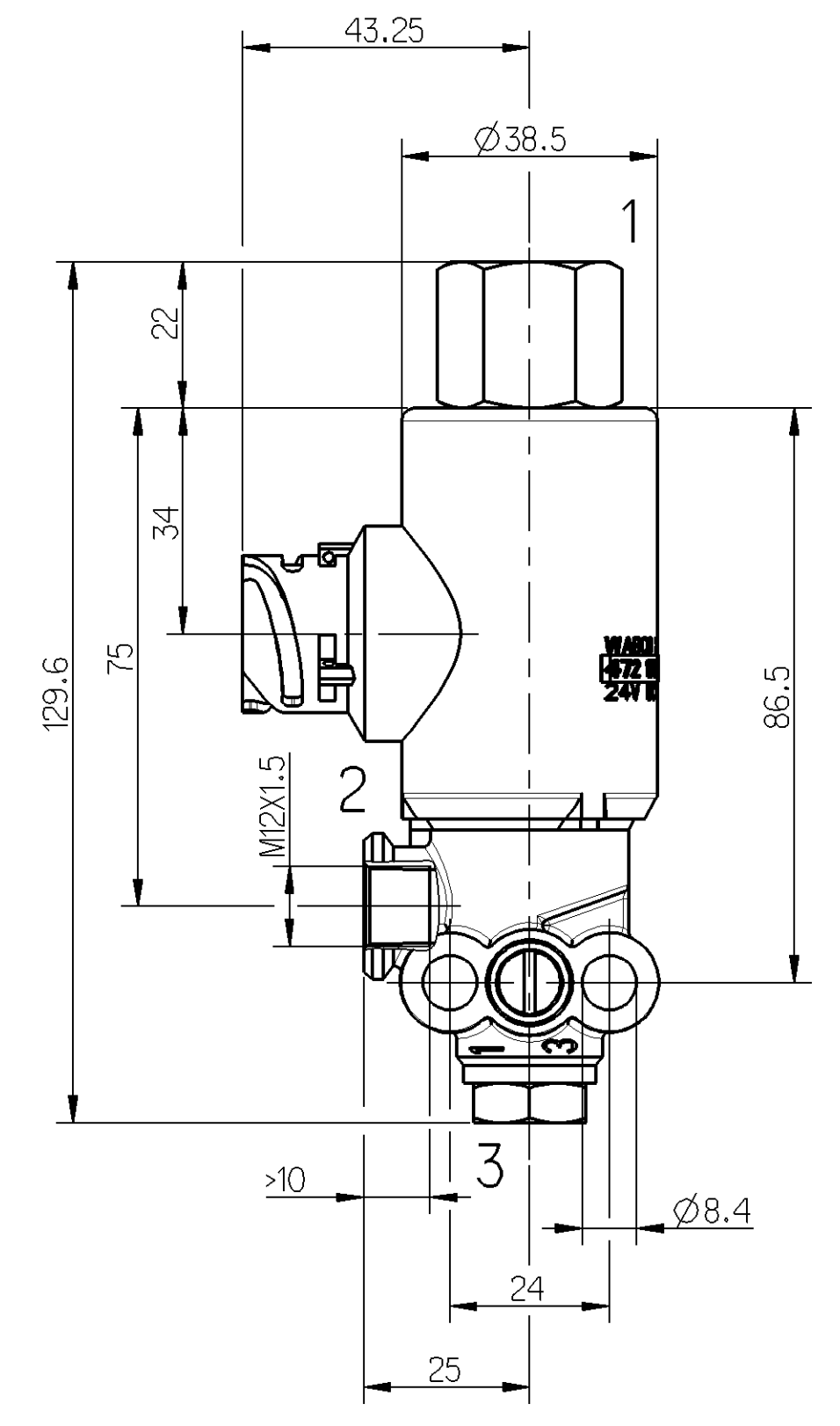
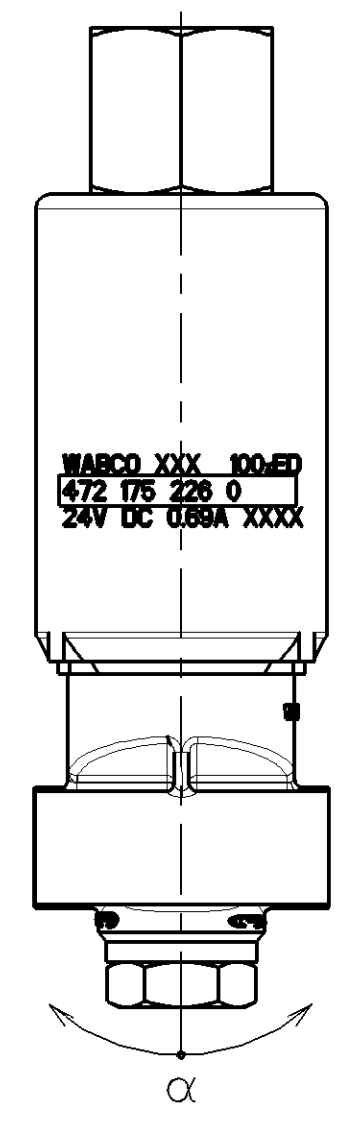


THE VALVE CORRESPONDS TO THE REGULATIONS FOR ELECTROMAGNETIC DEVICES ACCORDING TO DIN VDE 0580

MEDIUM	AIR
VOLTAGE	24 ⁺⁸ _{-6.5} V DC
WORKING PRESSURE : p _e	0...11 bar AT 21.6...32 V DC 0...8 bar AT 17.5...32 V DC
PERMISSIBLE PRESSURE	p _e < 13 bar
NOMINAL CURRENT	0.69 A
NOMINAL DIAMETER	SUPPLY Ø4mm
RELATIVE DUTY CYCLE	100% ED
THERMAL RANGE OF APPLICATION	-40°C...+80°C
PROTECTION CLASS	III
TYPE OF PROTECTION	IP 6K9K
	IP 6K7 WITH SEALED CONNECTIONS 1, 2, 3, 6
POSITION OF INSTALLATION	OPTIONAL
BUT WITHOUT SEALED CONNECTION 3	α = ±45°
VOLTAGE PEAKS ON BREAKING	<180IV

- ④
- | | |
|---|--------------------------------------------------------------|
| 1 | SUPPLY |
| 2 | EXHAUST |
| 3 | CLOSED |
| 6 | ELECTRIC TERMINAL PLUG CONNECTION
DIN 72 585-A1+2.1-Sn/K2 |



MATERIAL / SURFACE PROTECTION	
①	JED-035M1
②	JED-559
③	JED-570.616
④	JED-303 JED-739-0
⑤	JED-004M JED-260
⑥	JED-020 JED-256-5
⑦	JED-020 JED-256-5

General Specifications: JED-334-0 - Size ISO 14405-1 E		Copyright WABCO®	
Further Technical Data:		Date	Signature
Doc. Code	Sheet	Drawn	2013-04-05
General Tolerances JED-261		Checked	KRISHNAA
Range of Nominal Dimensions (± mm)		Expert	2013-04-05 Senhilmurugan
Class 1) ≤ 50 > 50 ≤ 180 > 180 ≤ 400 > 400		Teichmann	
Fine	0.5 1.0 1.5 2.0	Material No.	472 175 226 0
Medium X	1.0 2.0 3.0 4.0	Date of first issue	2013-02-26
Coarse	2.0 3.5 5.0 6.5	Doc.Code	005
Tapped Holes acc.:		Language	EN
1) Tolerance Class Applied Crossmarked		Sheet	1/1
Size	A 1	Revision	1
Scale	1:1 (2:1)	Techn. Resp.	5800_WIN
Material	Pro/E	Replacement for	

Toute communication de reproduction de ce document, toute exploitation ou communication de son contenu sont interdites, sauf autorisation écrite de WABCO. Toute réimpression, traduction, copie, reproduction, utilisation, diffusion, communication ou autre utilisation sans autorisation de WABCO est formellement interdite.

Non è permesso copiare o riprodurre questo documento, né utilizzare il contenuto o comunicarlo a terzi, senza permesso scritto di WABCO. È vietata espressamente la ristampa, la traduzione, la copia, la riproduzione, l'uso, la comunicazione o qualsiasi altro uso non autorizzato da WABCO.

Copying of this document and giving it to others and the use or communication of its contents, transfer, are forbidden without express authority. Communication of this position will constitute an offence under the law in all countries.

Alle Rechte sind vorbehalten. Nachdruck, Vervielfältigung und Verbreitung, auch auszugsweise, ist ohne schriftliche Genehmigung der WABCO AG.

All rights reserved. Any reproduction or unauthorized use of this document is strictly prohibited.