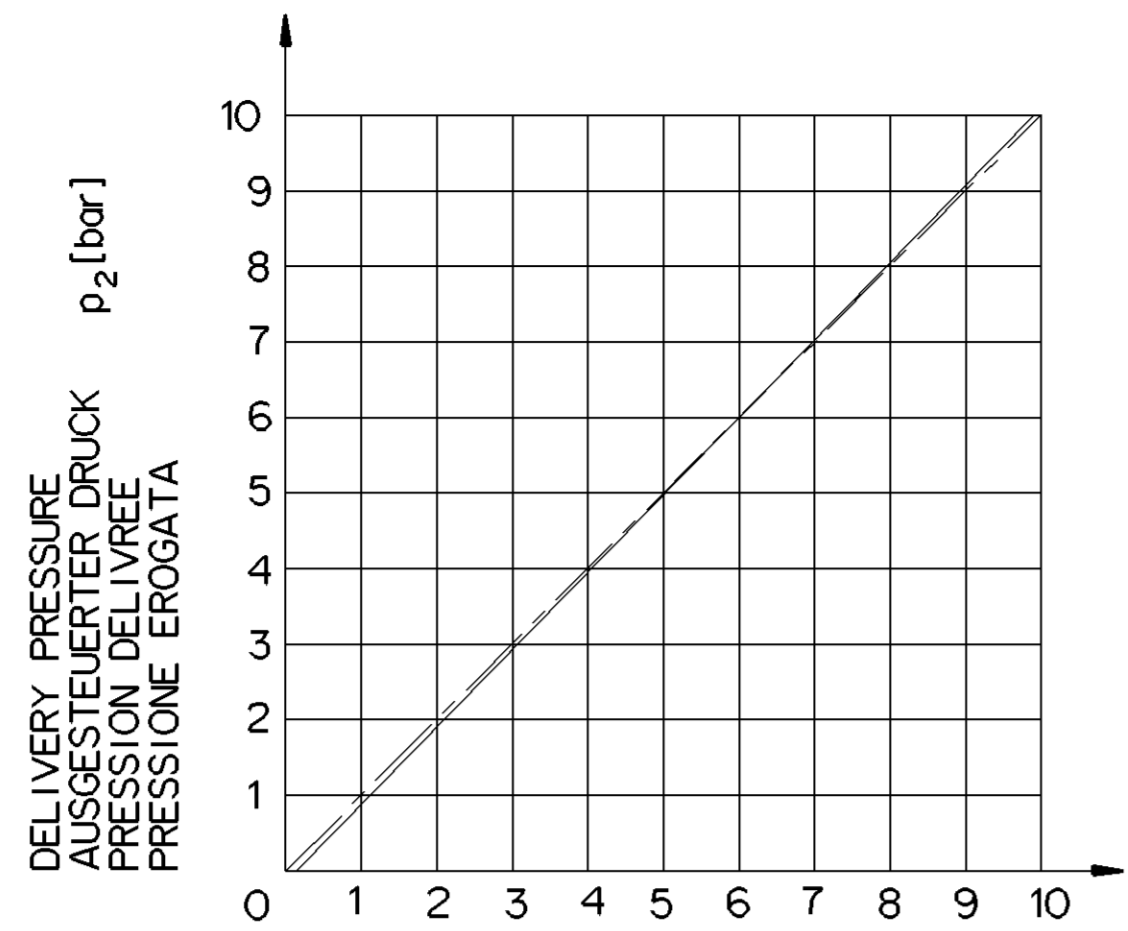


SAFETY CHARACTERISTICS	0
SIGNIFICANT CHARACTERISTICS	0
CUSTOMER INTERFACE	0

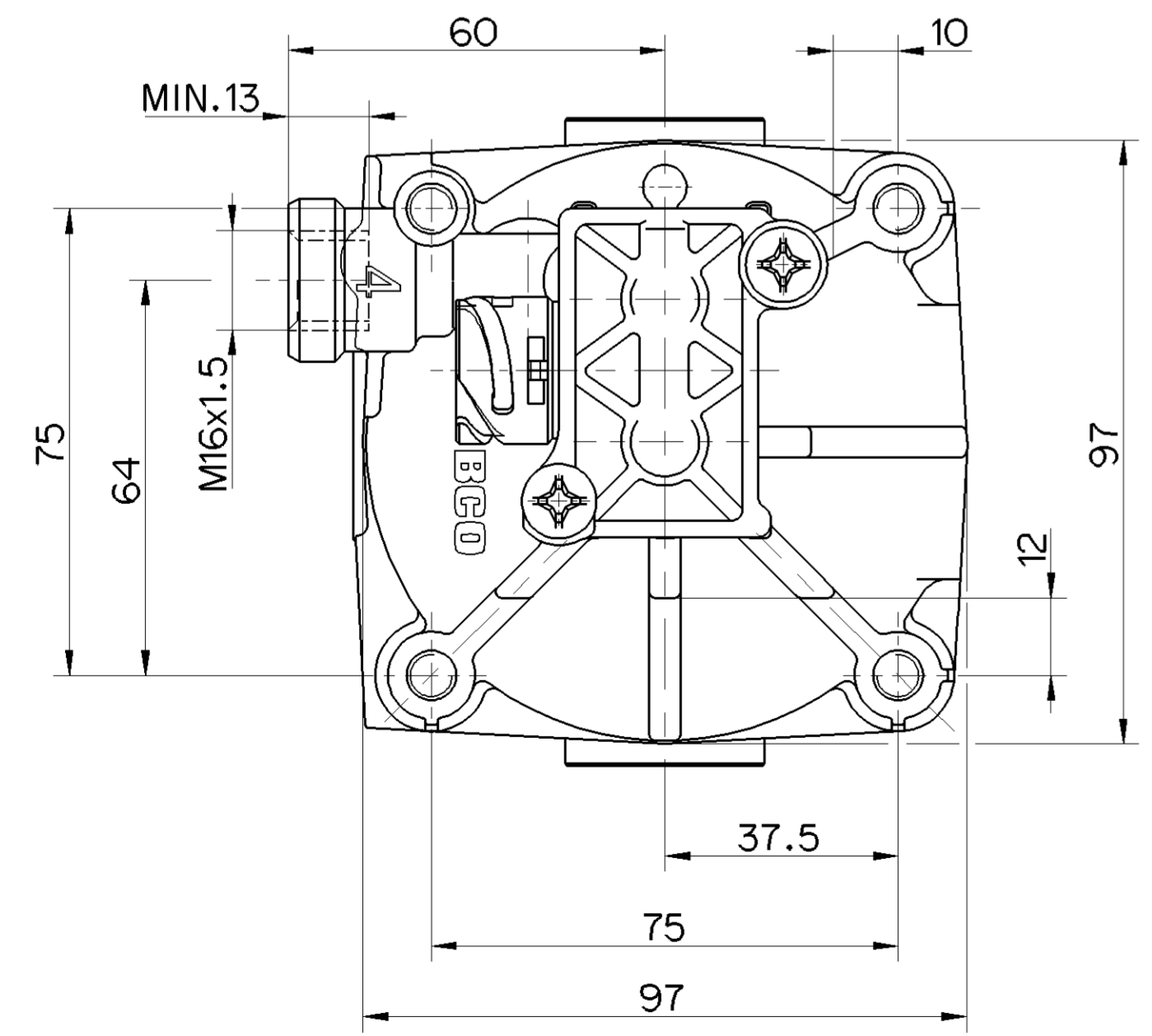
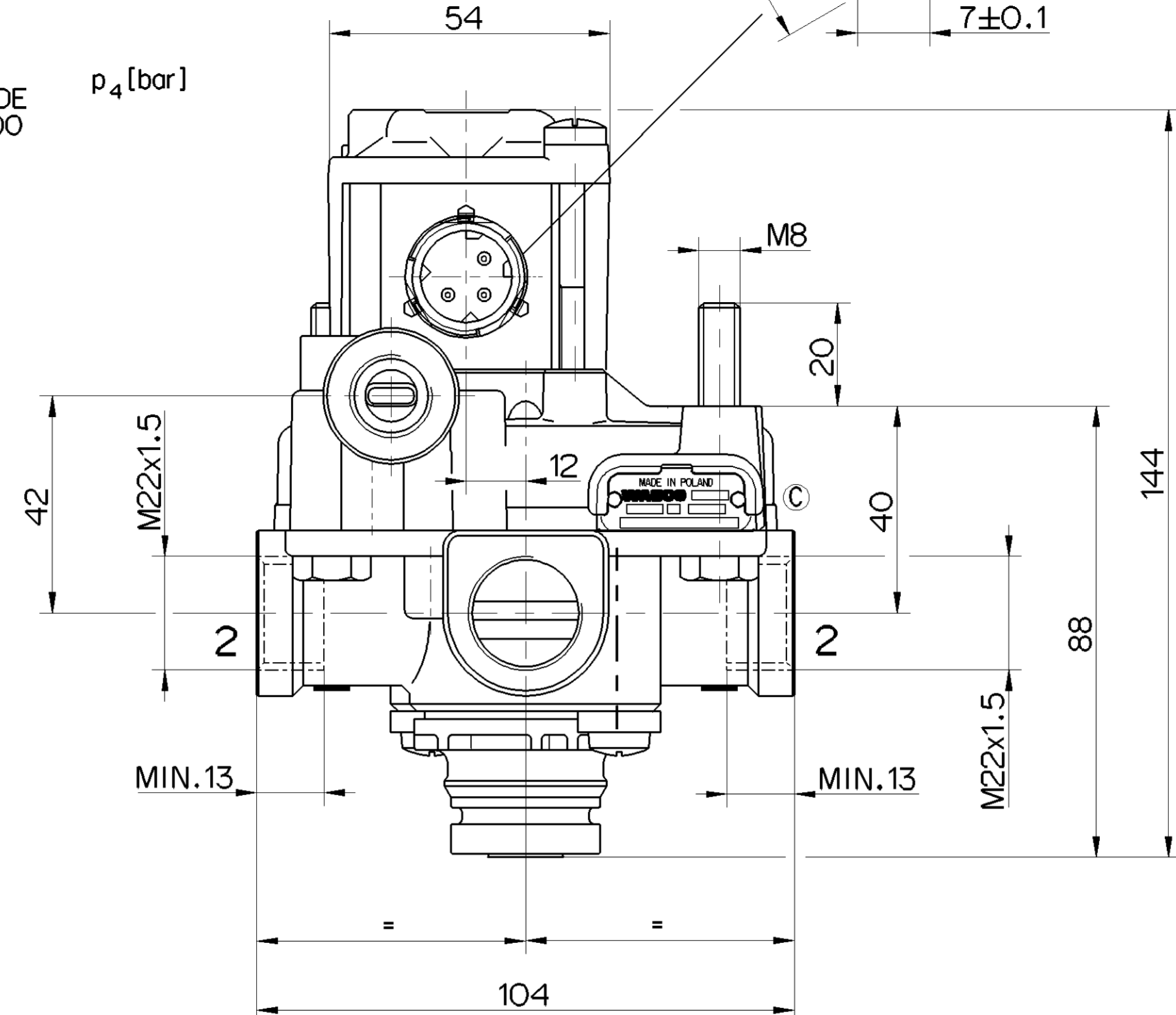
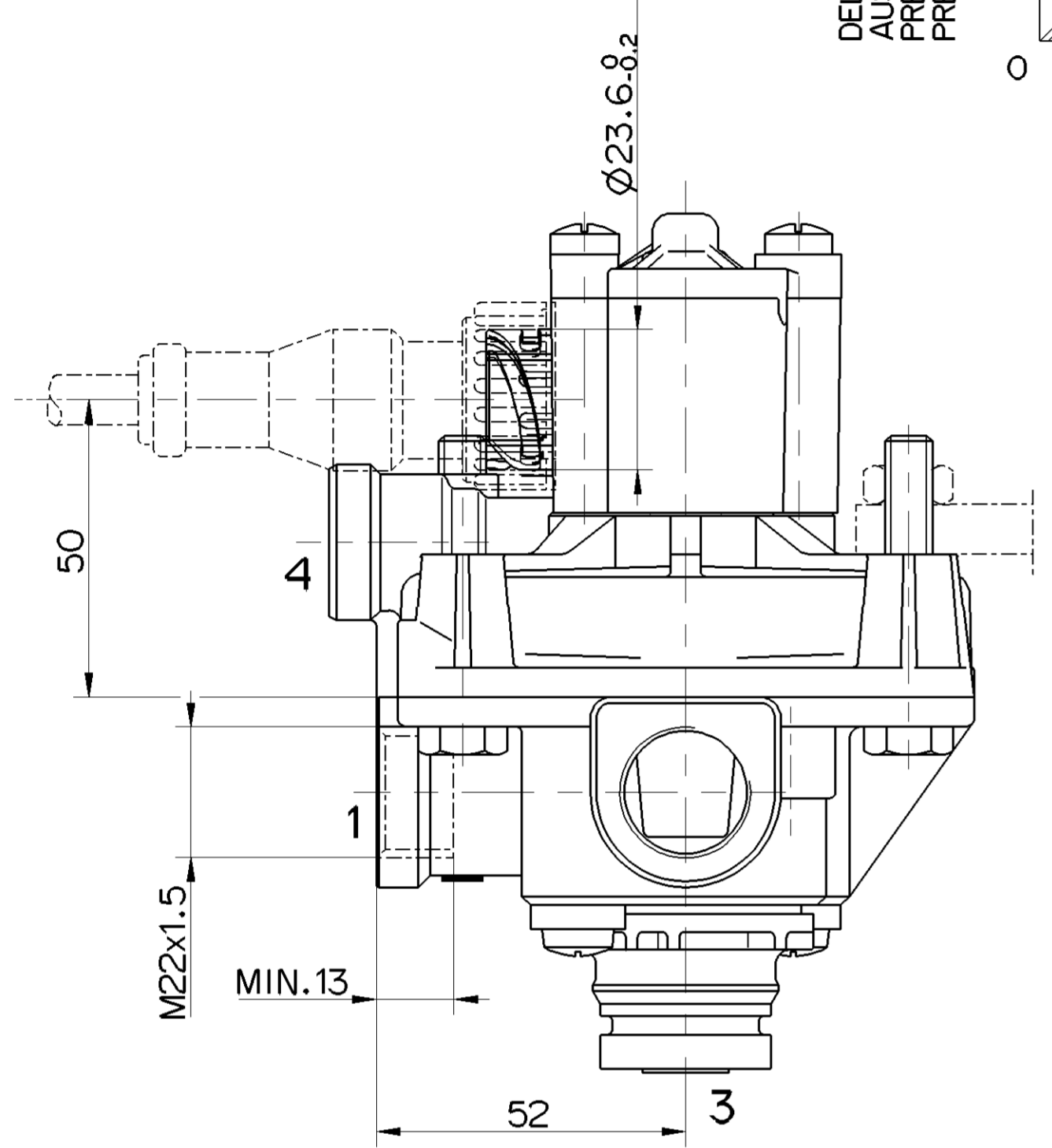


ELECTRICAL CONTROL
ELEKTRISCHER STEUERANSCHLUSS
COMMANDE ELECTRIQUE
COMMANDO ELETTRICO } DIN 72585-A1-3.1-Sn/K1

THE VALVE CORRESPONDS TO THE REGULATIONS FOR ELECTROMAGNETIC DEVICES ACCORDING TO VDE 0580
DAS GERAET ENTSPRICHT DEN BESTIMMUNGEN FUER ELEKTROMAGNETISCHE GERAETE NACH VDE 0580
LA VALVE CORRESPOND AUX CONDITIONS POUR DES APPAREILS ELECTROMAGNETIQUES SUIVANT VDE 0580
LA VALVOLA CORRISPONDE ALLE CONDIZIONI PER APPARECCHI ELECTROMAGNETICHI SECONDO VDE 0580

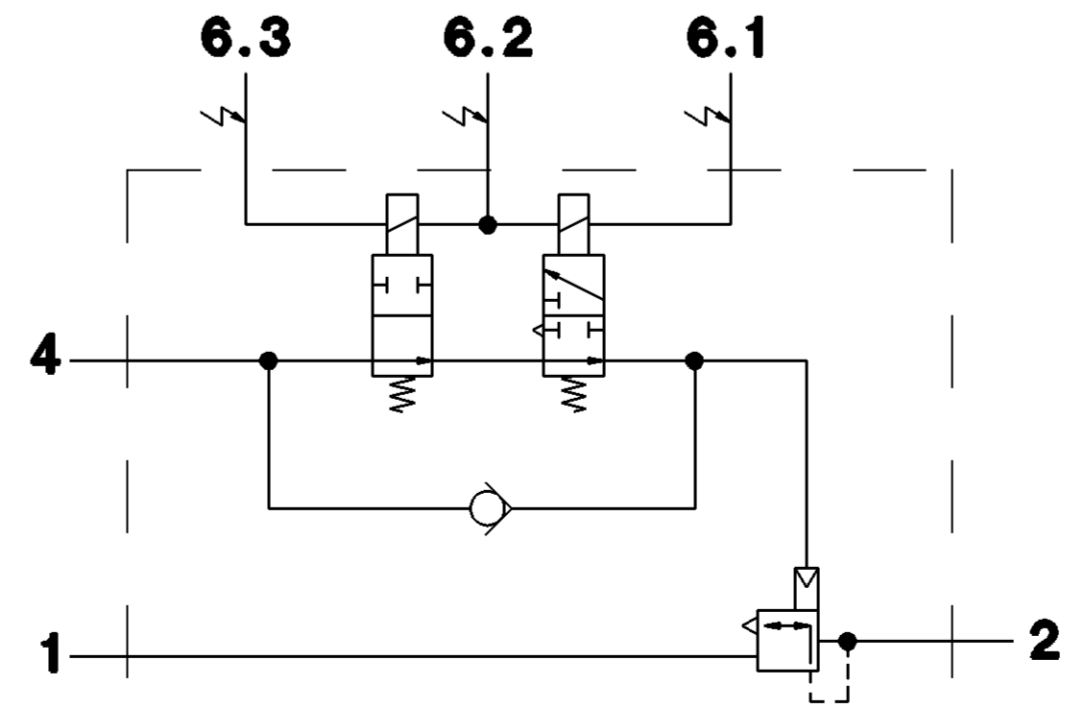
- MEDIUM: AIR, LUFT, AIR, ARIA
- VOLTAGE: 24V
- TYPE OF CURRENT: DIRECT CURRENT, GLEICHSTROM, COURANT CONTNU, CORRENTE CONTINUA
- SERVICE CONDITION: DISCONTINUOUS SERVICE, AUSSETZBETRIEB, SERVICE DISCONTINUE, ESERCIZIO DISCONTINUO (ED 5%/5min)
- NOMINAL CURRENT: 1.65 A
- TYPE OF PROTECTION: IP66/69K, IEC 529
- PROTECTION CLASS: III
- WORKING PRESSURE: MAX 10 bar
- THERMAL RANGE OF APPLICATION: -40°C....+80°C
- SOCKET: 894 101 649 2
- ADMISSIBLE INSTALLATION POSITION: ±15°

FOR FURTHER TECHNICAL DATA SEE PRODUCT SPECIFICATION
WEITERE TECHNISCHE DATEN SIEHE PRODUKT SPEZIFIKATION
POUR AUTRES DONNEES TECHNIQUES VOIR PRODUCT SPECIFICATION
PER ULTERIORI DATI TECNICI VEDERE SPECIFICA DI PRODOTTO } 472 195 031 0



- 1 SUPPLY OF ENERGY
ENERGIEZUFLOSS
ALIMENTATION
ALIMENTATIONE
- 2 DELIVERY OF ENERGY
ENERGIEABFLUSS
UTILISATION
MANDATA
- 3 EXHAUST
ENTLUEFTUNG
ECHAPPEMENT
SCARICO
- 4 CONTROL
STEUERANSCHLUSS
COMMANDE
COMMANDO

- 6.1 ELECTRICAL CONTROL (MAGNET)
- 6.2 ELEKTRISCHER STEUERANSCHLUSS (MAGNET)
- 6.3 COMMANDE ELECTRIQUE (AIMANT)
- 6.4 COMMANDO ELETTRICO (MAGNETE)



General Specifications: JED-334-0 - Size ISO 14405 LP		Copyright WABCO®			
Doc. Code:	Sheet: To:	Date:	Drawn:		
General Tolerances JED-261		2019-12-13	Mokros		
Range of Nominal Dimensions (± mm)		Checked:	Kaufmann		
Class 1)	< 50	Expert:	Kaufmann		
	50 - 180				
	180 - 400				
	> 400				
Fine	0.5	1.0	1.5	2.0	±3°
Medium	1.0	2.0	3.0	4.0	
Coarse	2.0	3.5	5.0	6.5	
Tapped Holes acc. JED-152		Mass:	Scale:		
1) Tolerance Class Applied Crossmarked		0.89	1:1		
		kg	2:1		
		Size:	CAD System:		
		A 1	CREO		
		Material No.:	Date of first issue: 1996-05-23		
		472 195 031 0	005 ML 1/1		
		ECN-No.:	Revision:		
		161717	3 x C		
		Techn. Resp.:	6360		
		Replacement for:			

Tutti i diritti sono riservati. È vietata espressamente la ristampa o l'uso non autorizzato senza permesso scritto dalla WABCO. Tutti i diritti sono riservati. È vietata espressamente la ristampa o l'uso non autorizzato senza permesso scritto dalla WABCO.