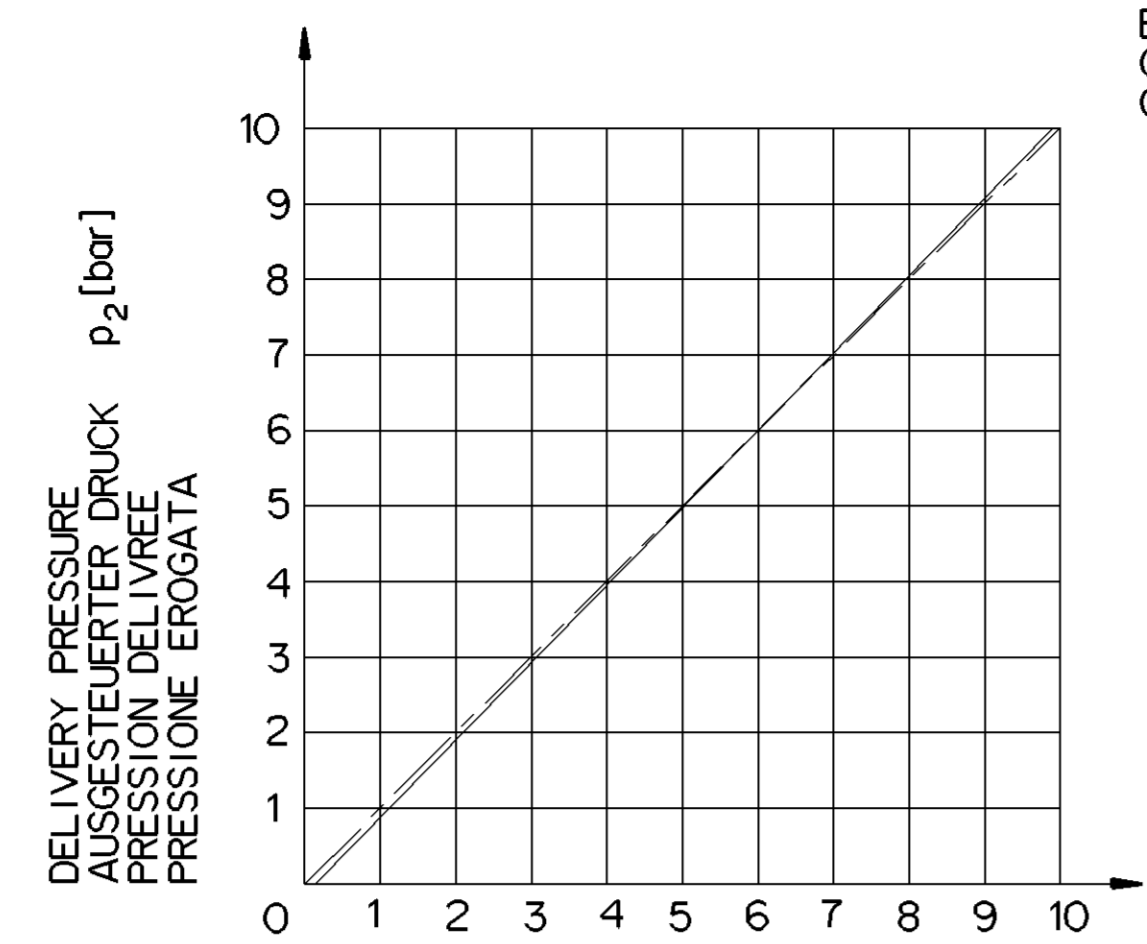


SAFETY CHARACTERISTICS	0
SIGNIFICANT CHARACTERISTICS	0
CUSTOMER INTERFACE	0

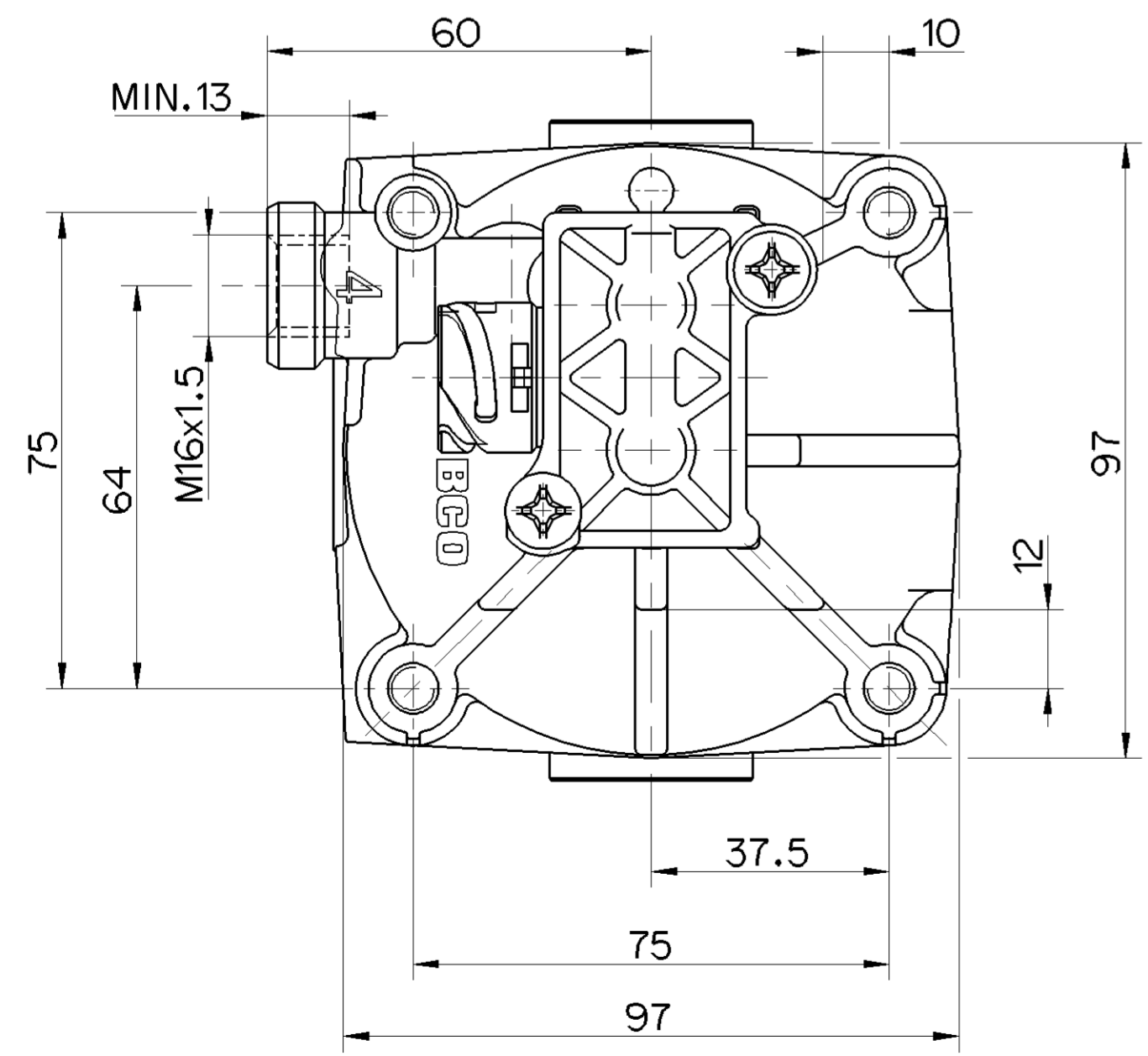
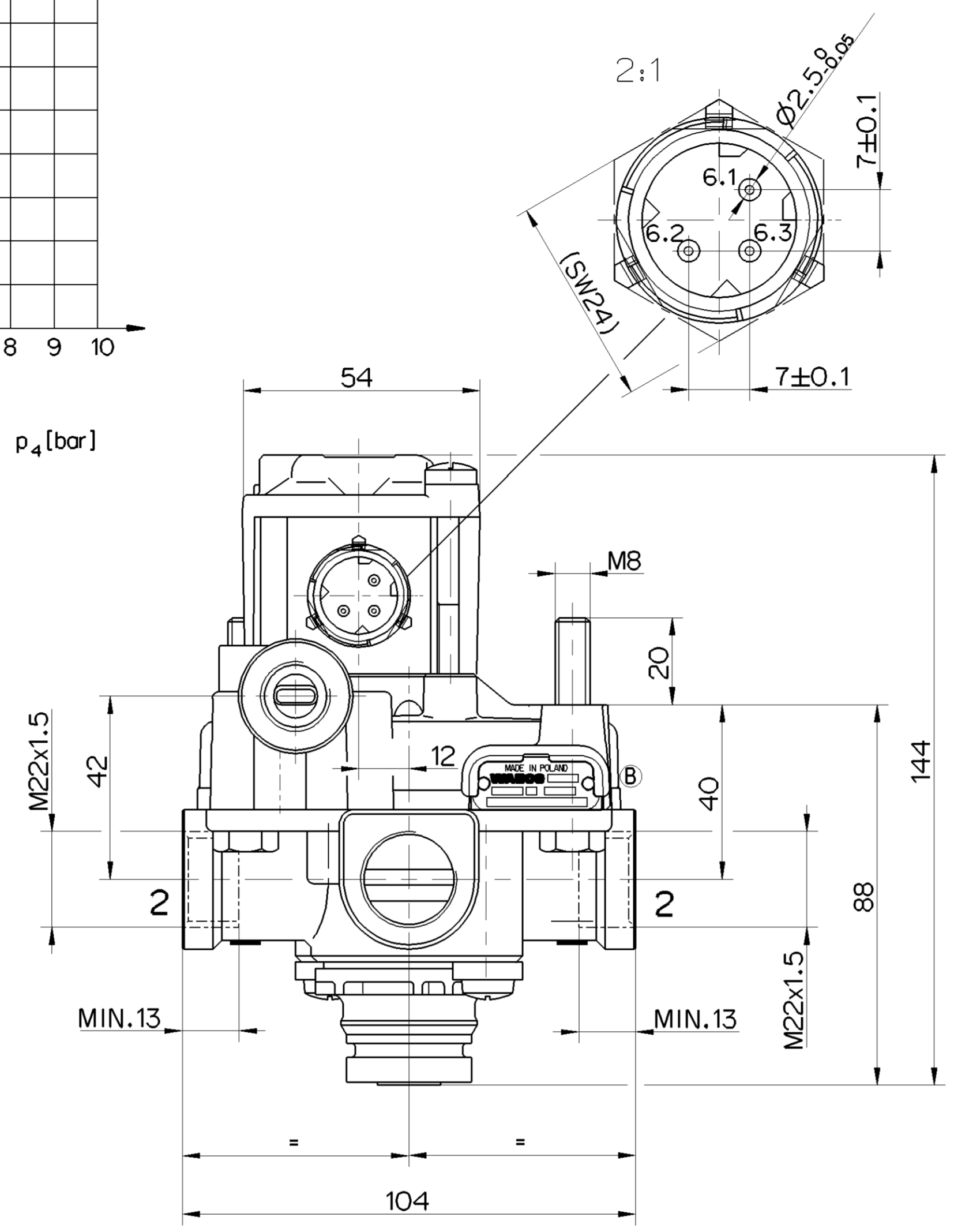
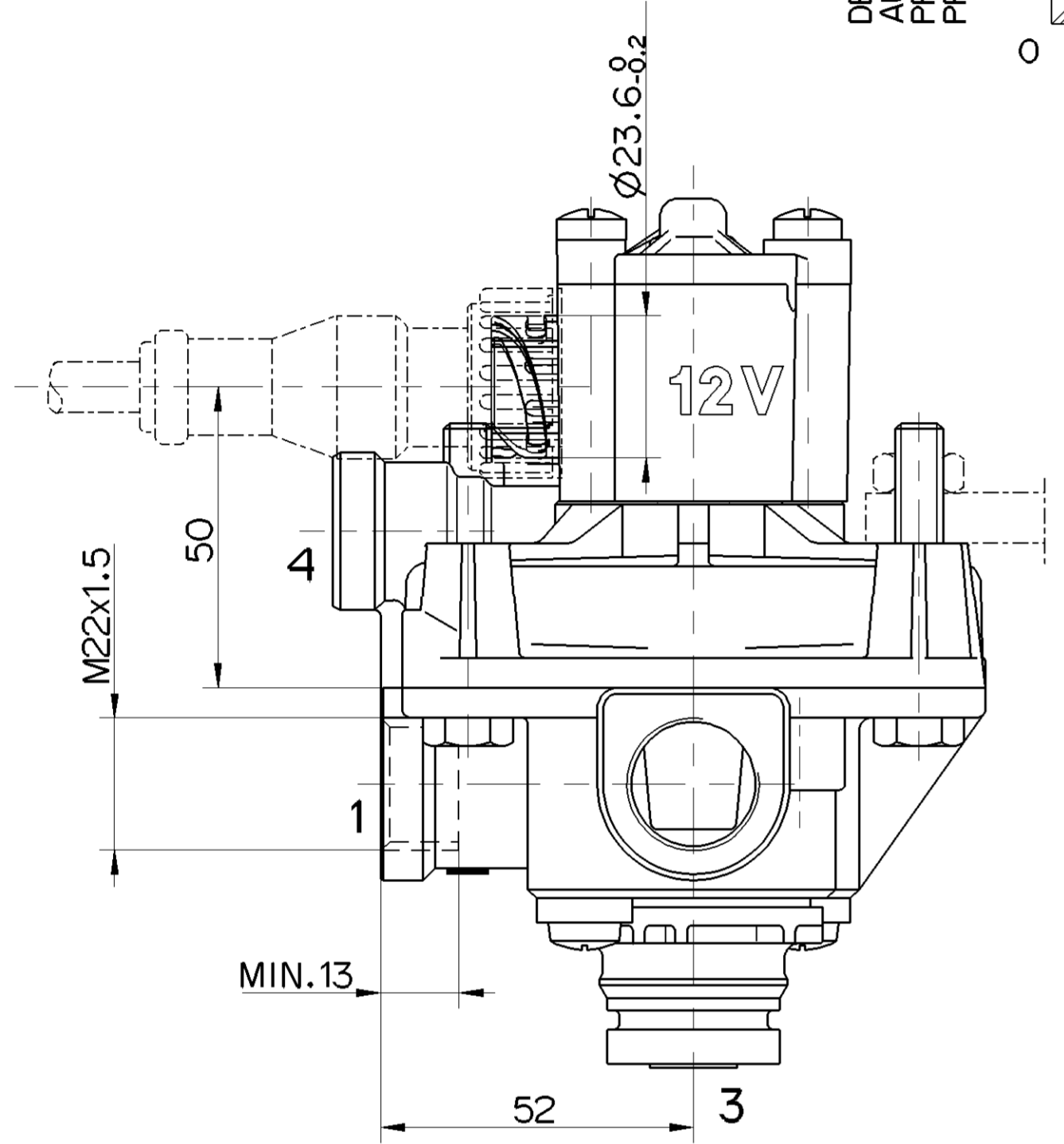


ELECTRICAL CONTROL
ELEKTRISCHER STEUERANSCHLUSS
COMMANDE ELECTRIQUE
COMANDO ELECTRICO } DIN 72585-A1-3.1-Sn/K1

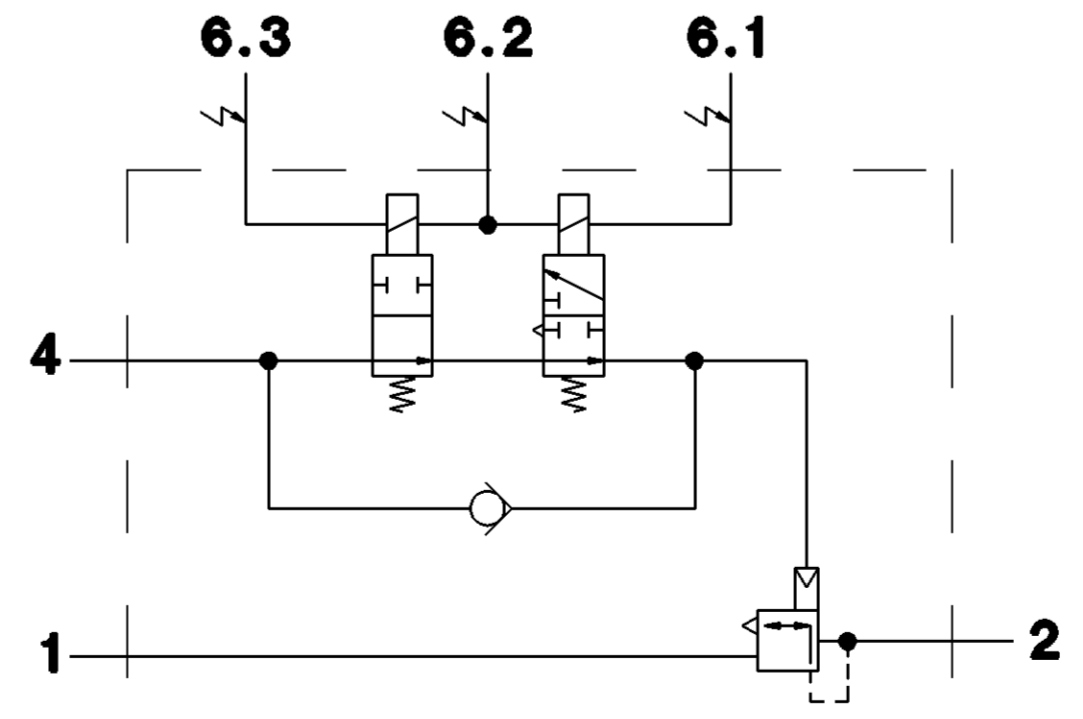
THE VALVE CORRESPONDS TO THE REGULATIONS FOR ELECTROMAGNETIC DEVICES ACCORDING TO VDE 0580
DAS GERAET ENTSPRICHT DEN BESTIMMUNGEN FUER ELEKTROMAGNETISCHE GERAETE NACH VDE 0580
LA VALVE CORRESPOND AUX CONDITIONS POUR DES APPAREILS ELECTROMAGNETIQUES SUIVANT VDE 0580
LA VALVOLA CORRISPONDE ALLE CONDIZIONI PER APPARECCHI ELECTROMAGNETICHI SECONDO VDE 0580

MEDIUM MEDIUM FLUIDE FLUIDO	AIR LUFT AIR ARIA
VOLTAGE SPANNUNG VOLTAGE VOLTAGGIO	12V
TYPE OF CURRENT STROMART NATURE DU COURANT NATURA DELLA CORRENTE	DIRECT CURRENT GLEICHSTROM COURANT CONTNU CORRENTE CONTINUA
SERVICE CONDITION BETRIEBSART CONDITION DU SERVICE CONDIZIONE DI SERVIZIO	DISCONTINUOUS SERVICE AUSSETZBETRIEB SERVICE DISCONTINUE ESERCIZIO DISCONTINUO
NOMINAL CURRENT NENNSTROM COURANT NOMINAL CORRENTE NOMINALE	2.22 A
TYPE OF PROTECTION SCHUTZART MODE DE PROTECTION TIPO DI PROTEZIONE	IP 66/69K IEC 529
PROTECTION CLASS SCHUTZKLASSE CLASSE DE PROTECTION CLASSE DI PROTEZIONE	III
WORKING PRESSURE BETRIEBSDRUCK PRESSION D'UTILISATION PRESSION DI ESERCIZIO	MAX 10 bar
THERMAL RANGE OF APPLICATION THERMISCHER ANWENDUNGSBEREICH GAMME D'APPLICATION THERMIQUE CAMPO DI APPLICAZIONE TERMICA	-40°C....+80°C
SOCKET GERAETESTECKDOSE PRISE DE COURANT PRESA DI CORRENTE	894 101 649 2
ADMISSIBLE INSTALLATION POSITION ZULAESSIGE EINBAULAGE POSITION D'INSTALLATION ADMISE POSIZIONEEDI MONTAGGIO AMMESSA	±15°

FOR FURTHER TECHNICAL DATA SEE PRODUCT SPECIFICATION
WEITERE TECHNISCHE DATEN SIEHE PRODUKT SPEZIFIKATION
POUR AUTRES DONNEES TECHNIQUES VOIR PRODUCT SPECIFICATION
PER ULTERIORI DATI TECNICI VEDERE SPECIFICA DI PRODOTTO } 472 195 034 0



- 1 SUPPLY OF ENERGY
ENERGIEZUFLOSS
ALIMENTATION
ALIMENTATIONE
- 2 DELIVERY OF ENERGY
ENERGIEABFLUSS
UTILISATION
MANDATA
- 3 EXHAUST
ENTLUEFTUNG
ECHAPPEMENT
SCARICO
- 4 CONTROL
STEUERANSCHLUSS
COMMANDE
COMANDO



- 6.1 ELECTRICAL CONTROL (MAGNET)
ELEKTRISCHER STEUERANSCHLUSS (MAGNET)
- 6.2 COMMANDE ELECTRIQUE (AIMANT)
- 6.3 COMANDO ELECTRICO (MAGNETE)

General Specifications: JED-334-0 - Size ISO 14405 LP		Copyright WABCO®	
Doc. Code:	Sheet: To:	Date:	Signature:
General Tolerances JED-261		2019-12-13	Motors
Range of Nominal Dimensions (± mm)		Checked:	Kaufmann
Class 1) < 50 > 50 > 180 > 180 > 400 > 400		Expert:	Kaufmann
Fine	0.5 1.0 1.5 2.0	Mass	Scale
Medium	1.0 2.0 3.0 4.0	0.89	1:1
Coarse	2.0 3.5 5.0 6.5	kg	2:1
Tapped Holes acc. JED-152		Size	CAD System
1) Tolerance Class Applied Crossmarked		A 1	CREO
Material No.		Date of first issue: 2000-02-02	
472 195 034 0		Doc. Code	Language
005 ML 1/1		Revision	Techn. Resp.
161717 3 x B 6360		Replacement for	

Non è permesso copiare o riprodurre questo documento, né utilizzare il contenuto o i dati contenuti in esso, senza permesso scritto dalla WABCO. Toute réimpression ou utilisation non autorisée sans la permission écrite de la WABCO est formellement interdite. Toute réimpression ou utilisation non autorisée sans la permission écrite de la WABCO est formellement interdite. All rights reserved. No part of this document may be reproduced, stored in a retrieval system, or transmitted in any form or by any means, electronic, mechanical, photocopying, recording, or by any information storage and retrieval system, without the prior written permission of WABCO.