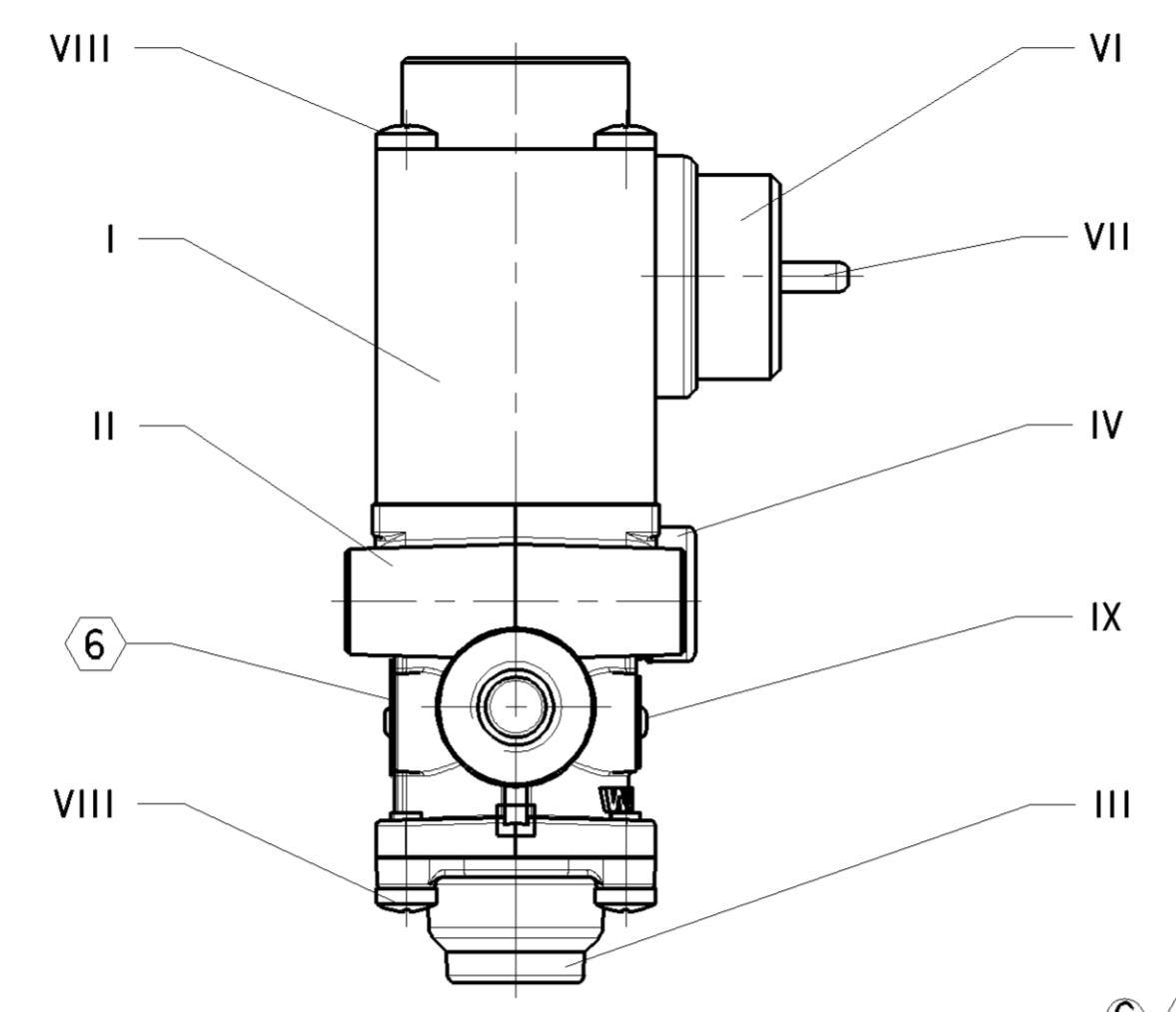
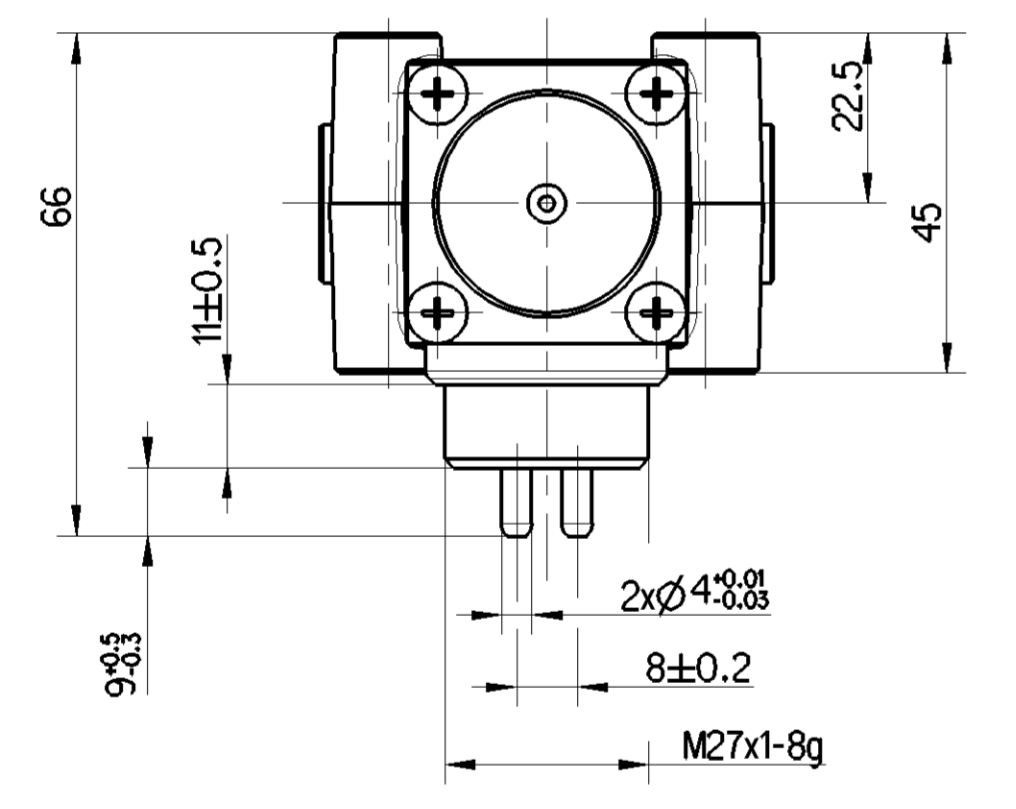
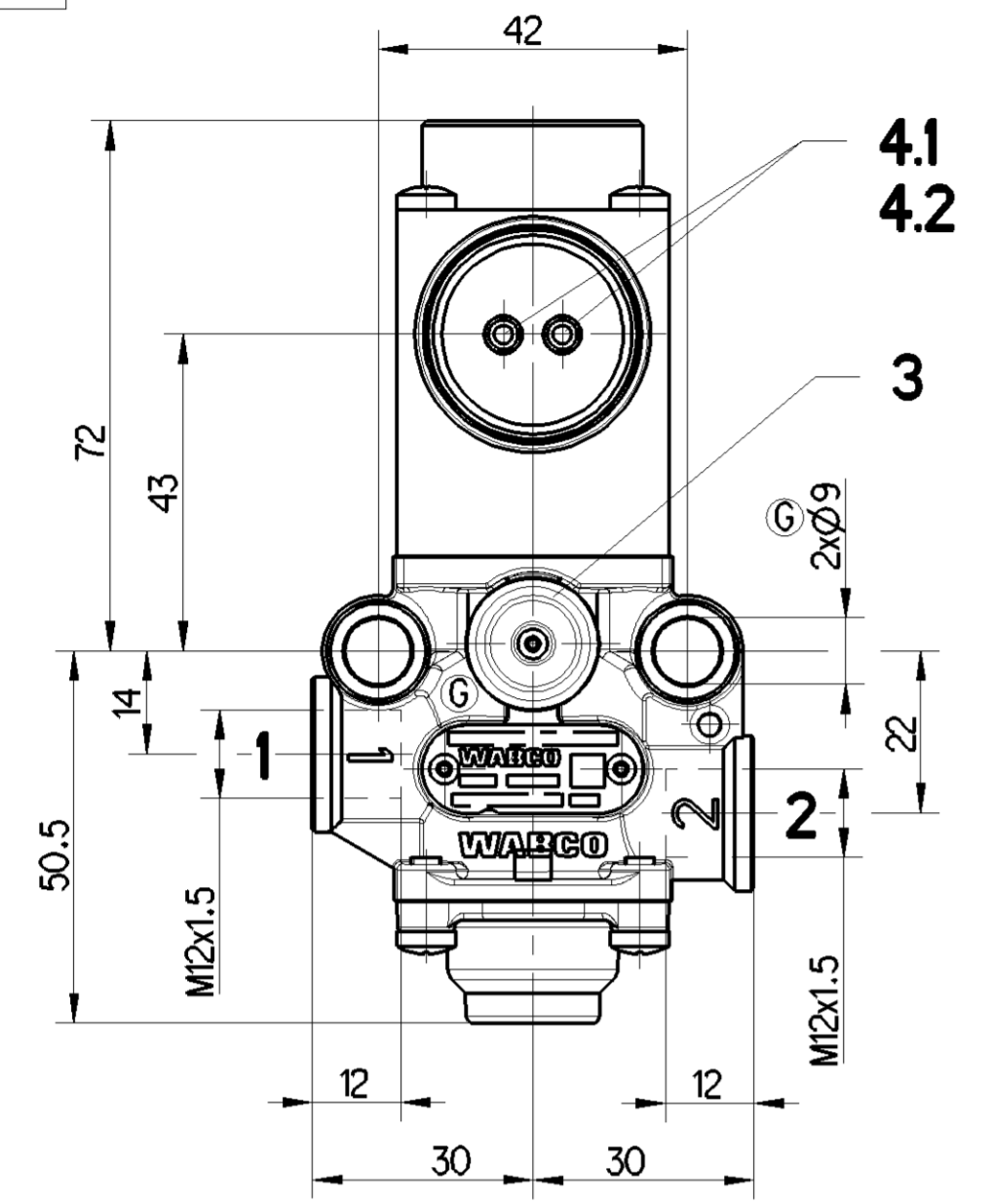
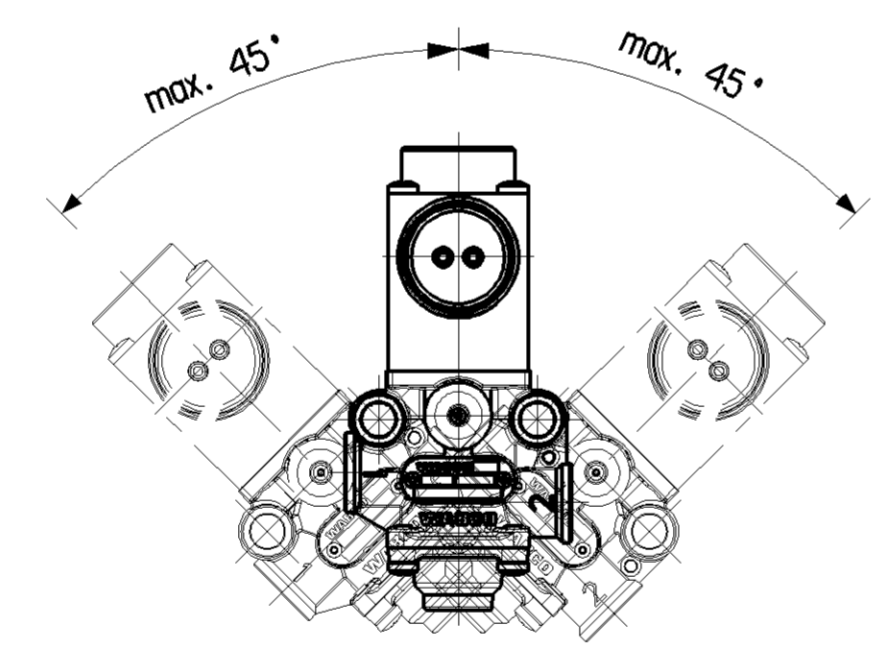


MATERIAL AND SURFACE PROTECTION	
I	Fe JED-020.2 / Zn/C JED-256
II	Al JED-029M1 / C JED-259
III	PBT JED-352.1
IV	Fe JED-691
V	
VI	PA 6.6 JED-559
VII	CuZn JED-076M1 / Gal Ni1 Ag1
VIII	Fe JED-051 / Zn/C JED-257
IX	Al JED-077.1 / JED-007.1

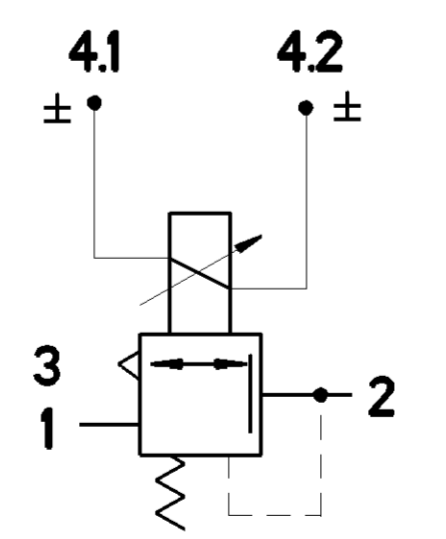
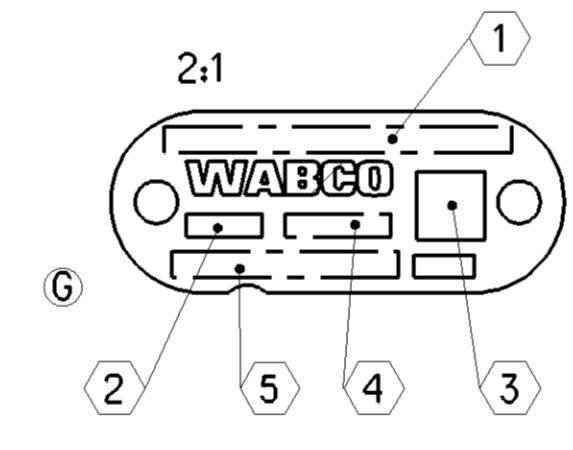
CUSTOMER INTERFACE 0 G



ADMISSIBLE INSTALLATION POSITION
ZULAESSIGE EINBAULAGE
POSITION D'INSTALLATION ADMISE
POSIZIONE DI MONTAGGIO AMMESSA



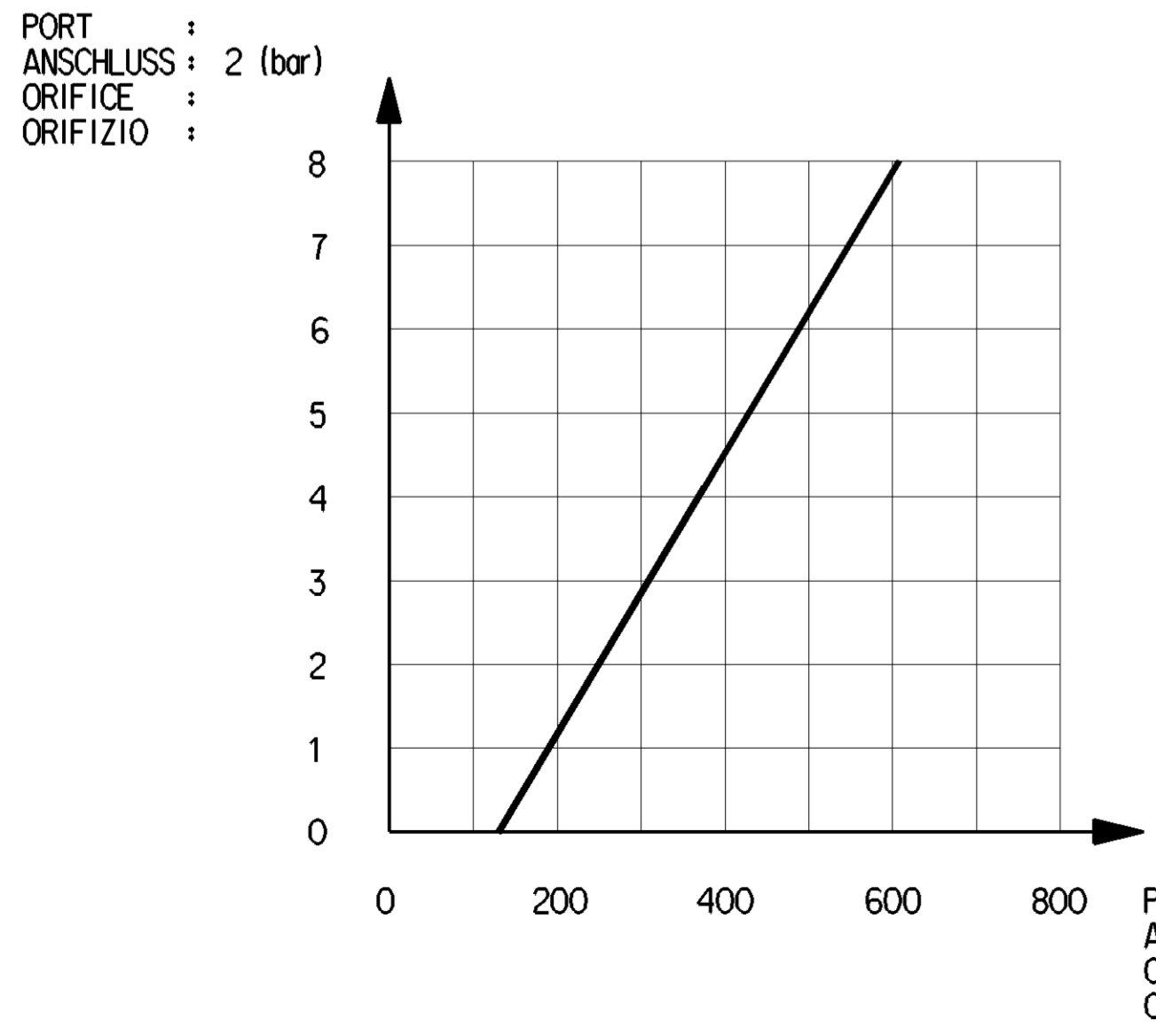
- ① COUNTRY OF ORIGIN
URSPRUNGSLAND
- ② DATE OF MANUFACTURE
HERSTELLDATUM
- ③ DATA CODING
- ④ OPTIONAL
BELIEBIG
- ⑤ WABCO IDENTIFICATION NUMBER
WABCO IDENTIFIKATIONS-NUMMER
- ⑥ OPTIONAL ADDITIONAL CUSTOMER NAME PLATE
OPTIONALES ZUSATZLICHES KUNDENNAMENSCHILD



- 1 SUPPLY
VORRAT
ALIMENTATION
- 2 DELIVERY
ARBEITSLEITUNG
UTILISATION
MANDATA
- 3 EXHAUST
ENTLUEFTUNG
ECHAPPEMENT
SCARICO
- 4.1 ELECTRICAL CONTROL
ELEKTRISCHER STEUERANSCHLUSS
- 4.2 COMMANDE ELECTRIQUE
COMANDO ELETTRICO

THE VALVE CORRESPONDS TO THE REGULATIONS FOR ELECTROMAGNETIC DEVICES ACCORDING TO VDE 0580
GERAET ENTSPRICHT DEN BESTIMMUNGEN FUER ELEKTROMAGNETISCHE GERAETE NACH VDE 0580
LA VALVE CORRESPOND AUX CONDITIONS POUR DES APPAREILS ELECTROMAGNETIQUES SUIVANT VDE 0580
LA VALVOLA CORRISPONDE ALLE CONDIZIONI PER APPARECCHI ELETTROMAGNETICI SECONDO VDE 0580

1.1	WORKING MEDIUM ARBEITSMEDIUM FLUIDE D'UTILISATION FLUIDO DI ESERCIZIO	:	AIR (CONTAINING WATER, OIL AND ALCOHOL) LUFT (WASSER, OEL- UND ALKOHOLHALTIG) AIR (CHARGE D'EAU, D'HUILE ET D'ALCOOL) ARIA (CONTENENTE ACQUA, OLIO ED ALCOOL)
1.2	AMBIENT ENVIRONMENT UMGEBUNGSMEDIUM FLUIDE AMBIENT FLUIDO AMBIENTE	:	AIR (WATER- AND SALT CONTAINING) LUFT (WASSER- UND SALZHALTIG) AIR (CHARGE D'EAU DE SEL) ARIA (ACQUOSO E SALIFERO)
2.1	THERMAL RANGE OF APPLICATION UNDER NORMAL THERMISCHER ANWENDUNGSBEREICH UNTER NORMALEN UMGEBUNGSBEDINGUNGEN PLAGE DE TEMPERATURE EN UTILISATION CONTINUE DE CAMPO D'APPLICAZIONE TERMICA NELLE NORMALI CONDIZIONE AMBIENTALI	:	-40°.....+100°C
2.2	SHORT TERM RESISTANCE TO HEAT KURZZEITIGE WAERMEBESTAENDIGKEIT RESISTANCE THERMIQUE TEMPORAIRE RESISTANZA TERMICA PER BREVE PERIODO	:	MAX. 110°C AT 1h
3.1	WORKING PRESSURE (SUPPLY) BETRIEBSDRUCK (VORRAT) PRESSION D'UTILISATION (ALIMENTATION) PRESSIONE DI ESERCIZIO (ALIMENTAZIONE)	:	p ₁ = 5...8 bar
3.2	MAX. PERMISSIBLE WORKING PRESSURE (SUPPLY) MAX. ZULAESSIGER BETRIEBSDRUCK (VORRAT) PRESSION D'UTILISATION MAXI ADMISSIBLE (ALIMENTATION) PRESSIONE DI ESERCIZIO MAX. AMMISSIBILE (ALIMENTAZIONE)	:	p ₁ = 10 bar
3.3	OUTPUT PRESSURE AUSGANGSDRUCK PRESSION DE SORTIE PRESSIONE D'USCITA	:	p ₂ = 6 bar / ED = 100% p ₂ = 8 bar / ED = 20%
4	MIN. FLOW PASSAGE MIN. DURCHFLUSSOEFFNUNG MIN. ORIFICE CALIBRE MIN. PASSAGGIO LIBERO	/	NOMINAL DIAMETER NENNWEITE DIAMETRE NOMINAL DIAMETRO NOMINALE
4.1	PORT 1 - 2 ANSCHLUSS 1 - 2 ORIFICE 1 - 2 ORIFIZIO 1 - 2	:	12.6 mm ² / NW 4
4.2	PORT 2 - 3 ANSCHLUSS 2 - 3 ORIFICE 2 - 3 ORIFIZIO 2 - 3	:	5 mm ² / NW 2.5
5	VOLTAGE SPANNUNG VOLTAGE VOLTAGGIO	:	24 ±0.8 V
6	TYPE OF CURRENT STROMART NATURE DU COURANT NATURA DELLA CORRENTE	:	DIRECT CURRENT GLEICHSTROM COURANT CONTINU CORRENTE CONTINUA
7	SERVICE CONDITION BETRIEBSART CONDITION DU SERVICE CONDIZIONE DI SERVIZIO	:	CONTINUOUS SERVICE DAUERBETRIEB SERVICE CONTINU SERVIZIO CONTINUO
8	MAX. CURRENT MAX. STROM COURANT MAX. CORRENTE MAX.	:	I _{max} = 0,57 A / ED = 100% I _{max} = 0,75 A / ED = 20%
9	DEGREE OF PROTECTION ACC. IEC 529 SCHUTZART NACH EN 60529; IEC 529 DEGRE DE PROTECTION SUIVANT IEC 529 GRADO DI PROTEZIONE SECONDO IEC 529	:	IP 67
10	PROTECTION CLASS ACC. TO VDE 0580 SCHUTZKLASSE NACH VDE 0580 CLASSE DE PROTECTION SUIVANT VDE 0580 CLASSE DI PROTEZIONE SECONDO VDE 0580	:	III
11	INSTALLATION LIMITATIONS EINBAUBESCHRAENKUNGEN RESTRICTIONS D'INSTALLATION LIMITAZIONE DI MONIAGGIO	:	MAX. DEVIATION FROM THE VERTICAL MAX. ABWEICHUNG VON DER SENKRECHTEN ECART MAX. PAR RAPPORT A LA VERTICALE DEVIAZIONE MAX. RIFERITA ALLA VERTICALE
12	MAINTENANCE REQUIREMENTS WARTUNGSANFORDERUNGEN ENTRETIEN MANUTENZIONE	:	NONE KEINE NON NON



General Specification: JED-334-1 - Size ISO 14405 LP		Copyright WABCO®	
Further Technical Data: 472 250 000 0		Date: 2020-01-29	Signature: [Blank]
Doc. Code: 035	Sheet: 1	Drawn: [Blank]	Checked: [Blank]
General Tolerances JED-261		2020-01-29 Smardz	
Range of Nominal Dimensions (± mm)		2020-01-29 Couppez	
Class	1) ≤ 50	2) > 50 & ≤ 180	3) > 180 & ≤ 400
Fine	0,5	1,0	1,5
Medium	1,0	2,0	3,0
Coarse	2,0	3,5	5,0
Tapped Holes acc. -		±3°	
1) Tolerance Class Applied Crossmarked		A 1 CREO	
Material No. 472 250 000 0		Date of first issue: 005 ML 1/1	
ECh-№: 177648		Revision: 5x 6	
Tech. Resp. 6350		Replacement for: [Blank]	