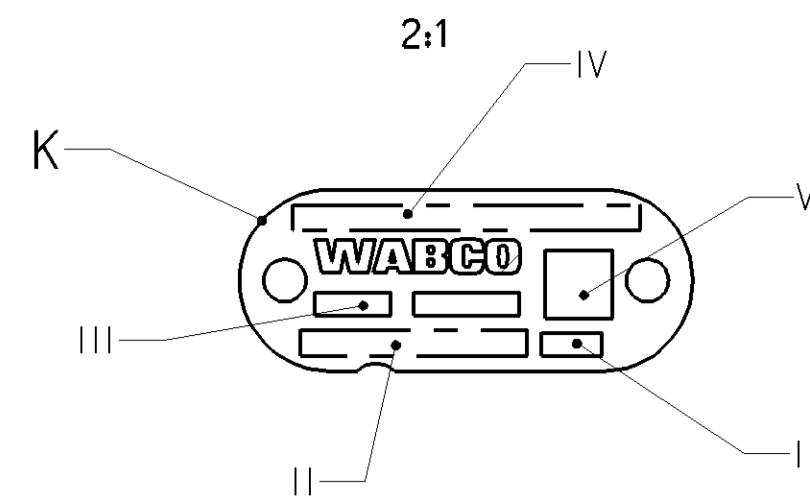
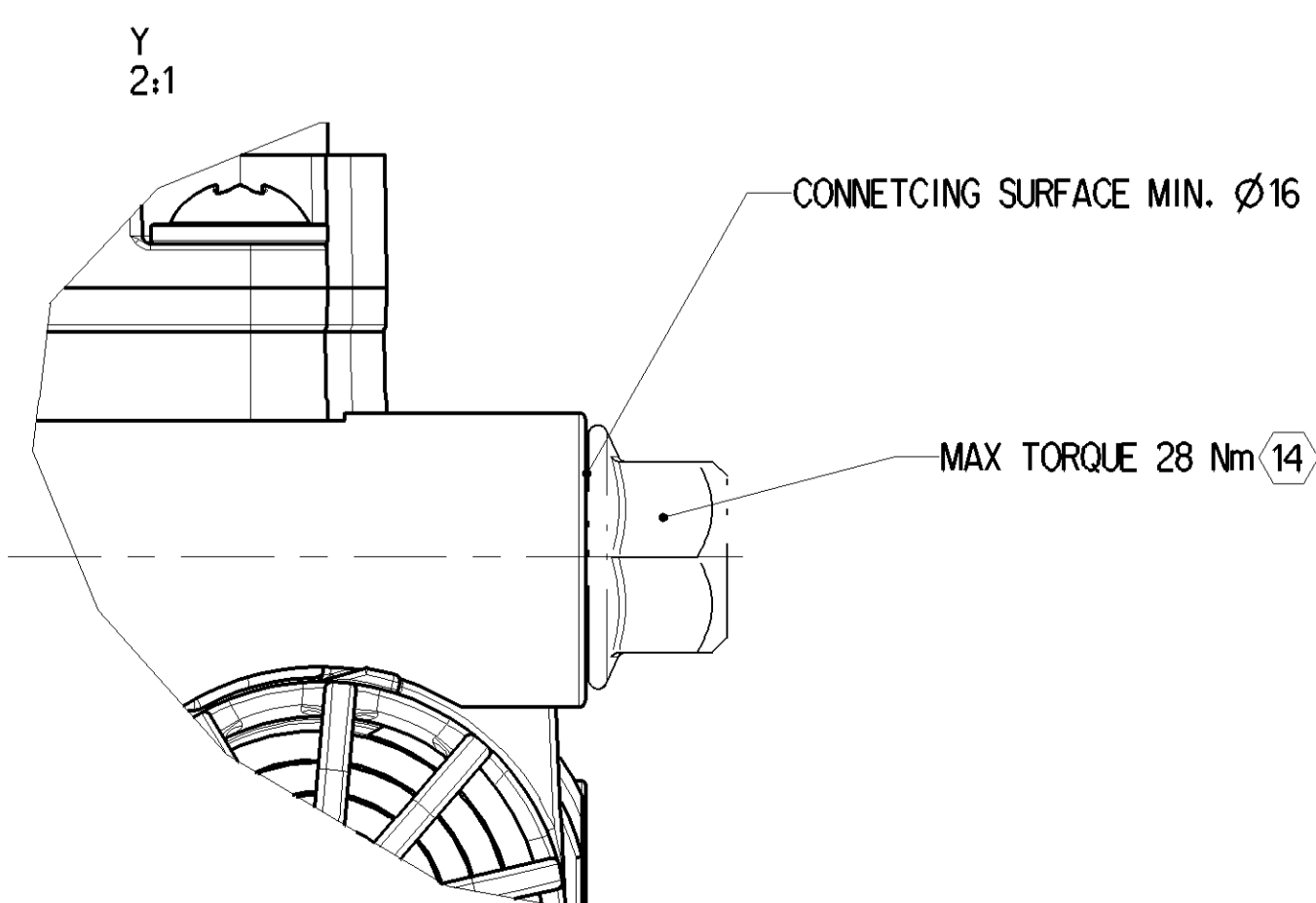
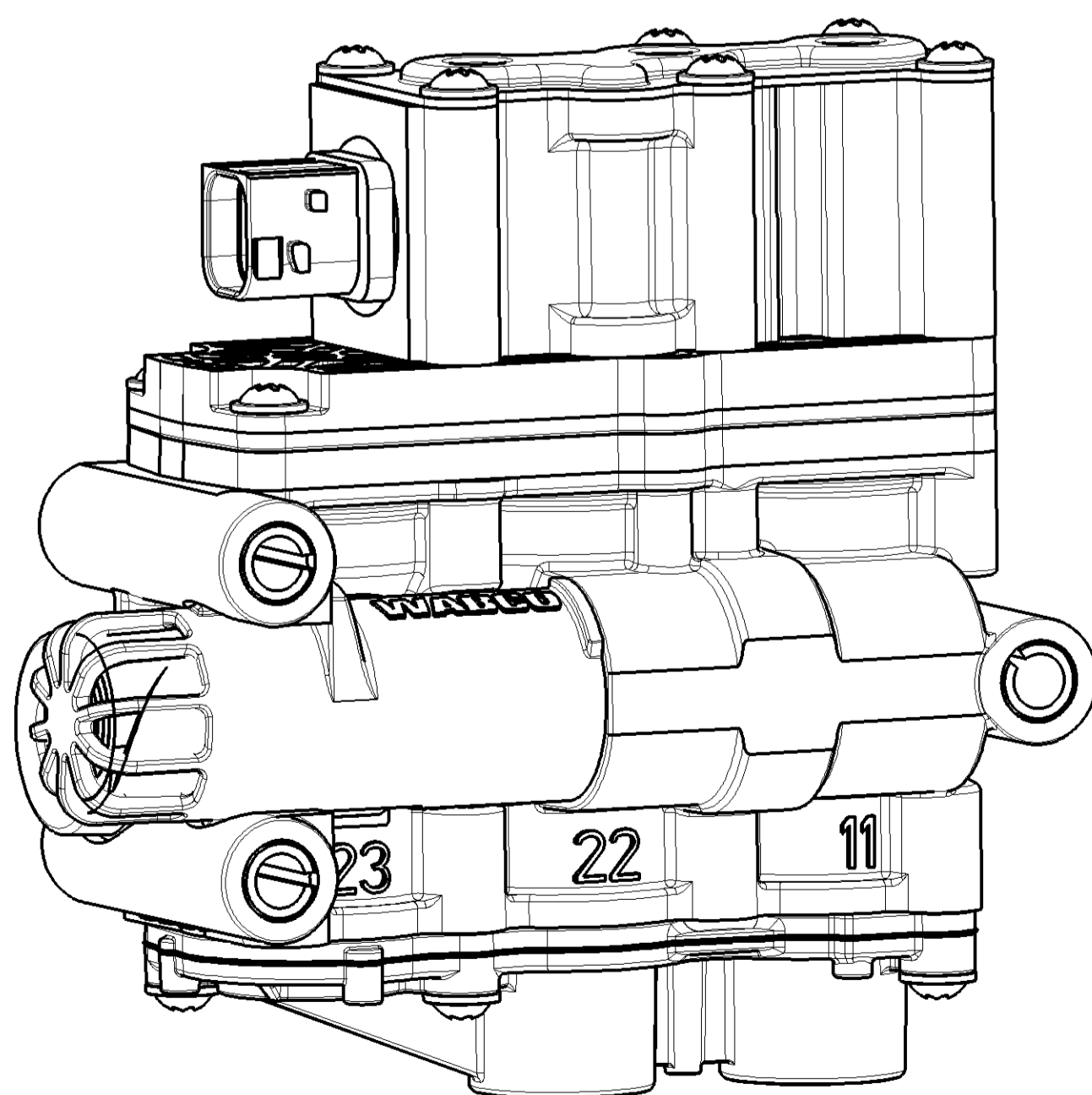
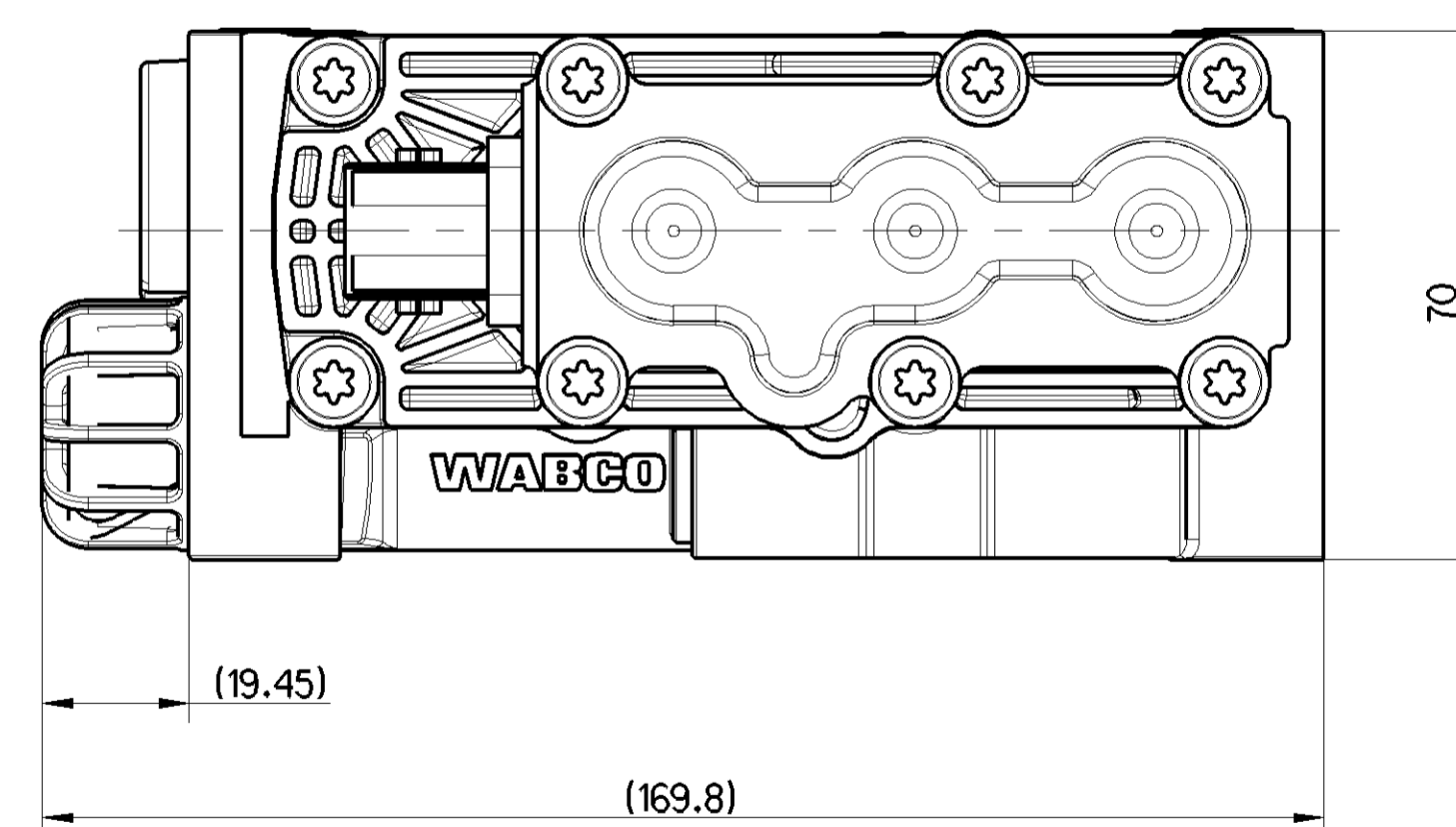
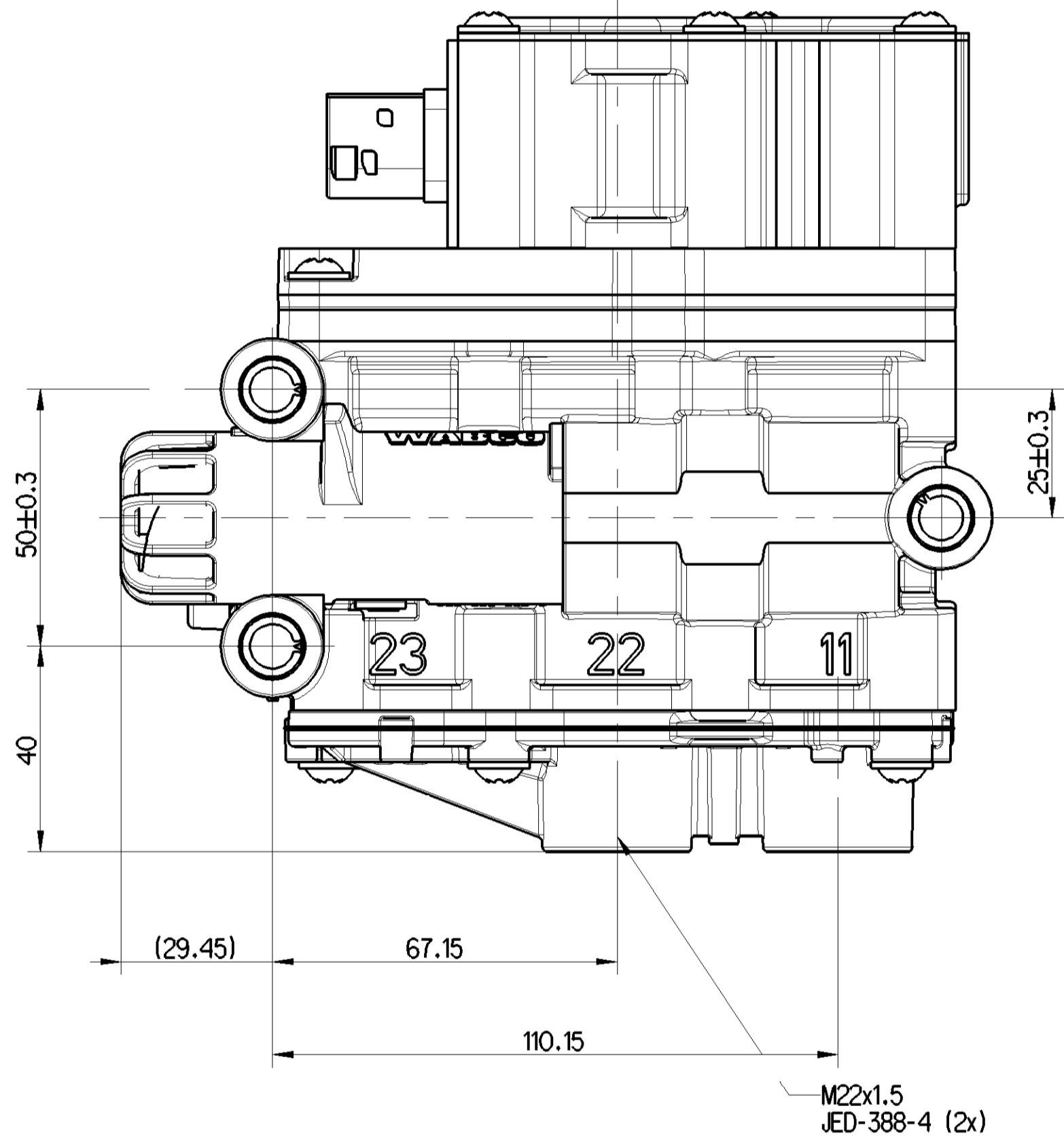
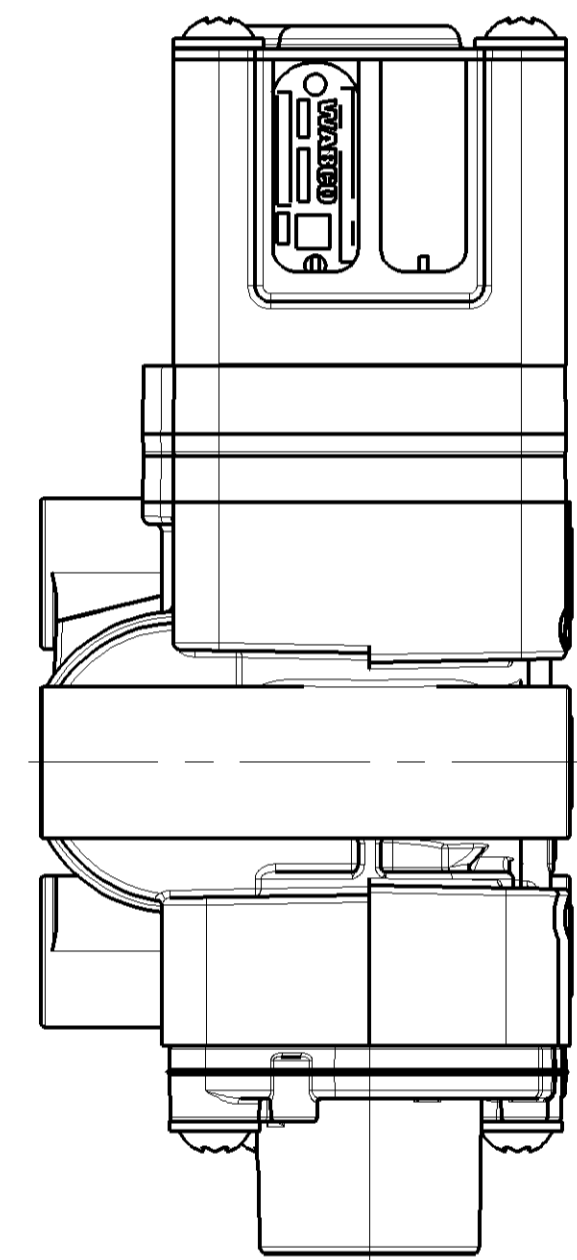
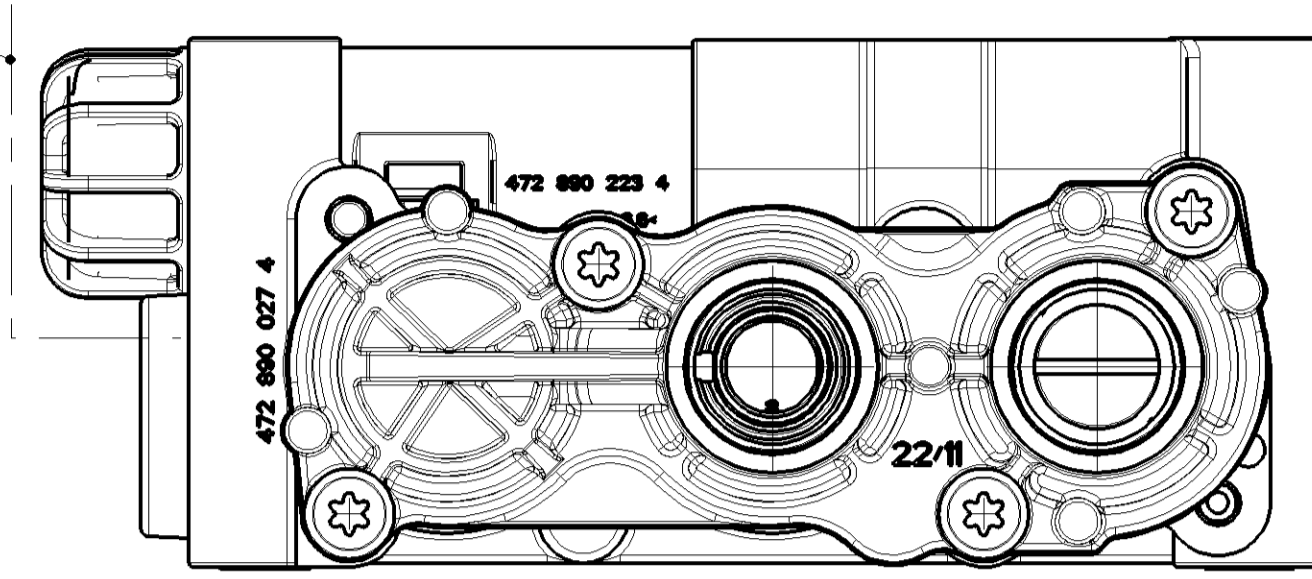


THE VALVE CORRESPONDS TO THE REGULATIONS FOR ELECTROMAGNETIC DEVICES ACCORDING TO VDE 0580

- 1 WORKING MEDIUM : AIR JED-848
- 2 AMBIENT MEDIUM : AIR (CONTAINING WATER AND SALT)
- 3 THERMAL RANGE OF APPLICATION UNDER NORMAL AMBIENT CONDITIONS : -40 °C...+80 °C
- 4 SHORT TERM RESISTANCE TO HEAT : MAX. 1h AT 110 °C
- 5 WORKING PRESSURE (SUPPLY) :  $p_g = 5...13$  bar
- 6 MAX. DYNAMIC PRESSURE (DELIVERY) : 20 bar
- 7 MIN. FLOW PASSAGE /NOMINAL DIAMETER  
PORT 3,11 : 100.6 mm $\square$  (=  $\phi$ 11.3 mm)  
PORT 22 : 50.3 mm $\square$  (=  $\phi$  8 mm) 6.3 active; 12.6 mm $\square$  (=  $\phi$  4mm) 6.2 active
- 9 TYPE OF CURRENT : DIRECT CURRENT
- 10 OPERATING VOLTAGE : 18 V - 32 V (24 V) RESTRICTED DUTY CYCLE <20 V.
- 11 SECURITY AGAINST THE CONFUSING OF POLES : EXISTING
- 12 RATED CURRENT AT ROOM TEMPERATURE :  $I = 0.32$  A
- 13 DEGREE OF PROTECTION ACCORDING TO ISO 20653 : IP 6K9K
- 14 FRAME FIXATION 3xM8

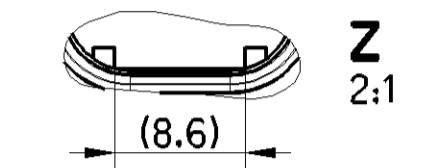
EXHAUST AREA IS NOT ALLOWED FOR PAINTING



- I PRI NO.
- II WABCO DEVICE NUMBER
- III WEEK OF MANUFACTURE / YEAR OF MANUFACTURE
- IV "MADE IN POLAND"
- V DATA MATRIX CODE ISO/IEC 16022

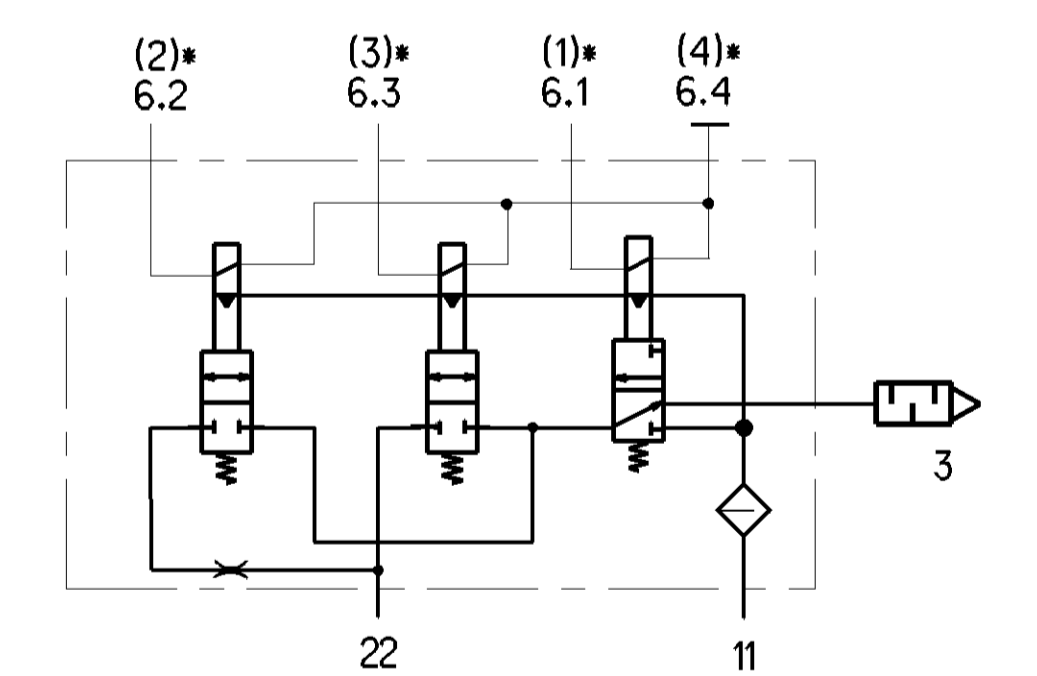
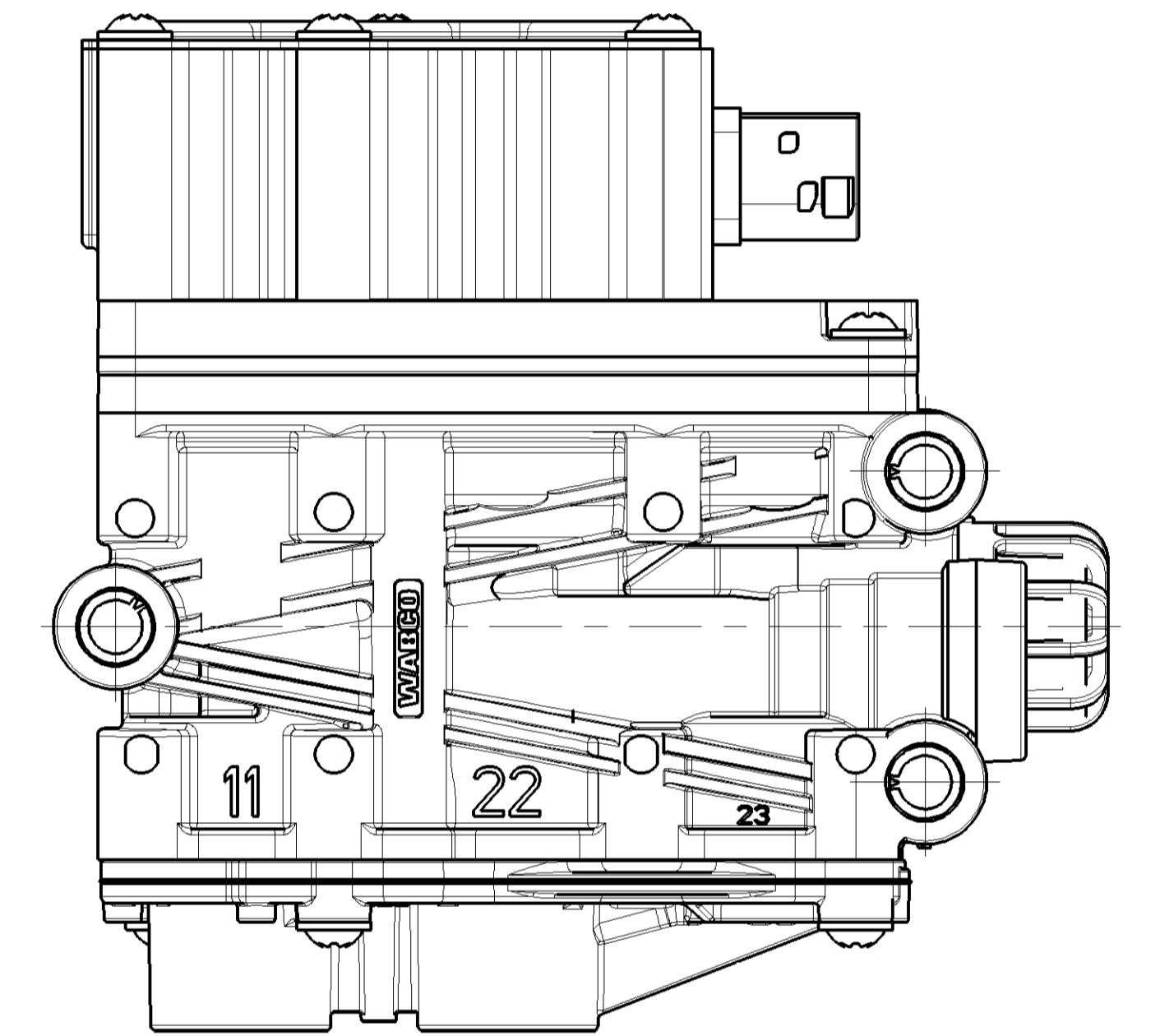
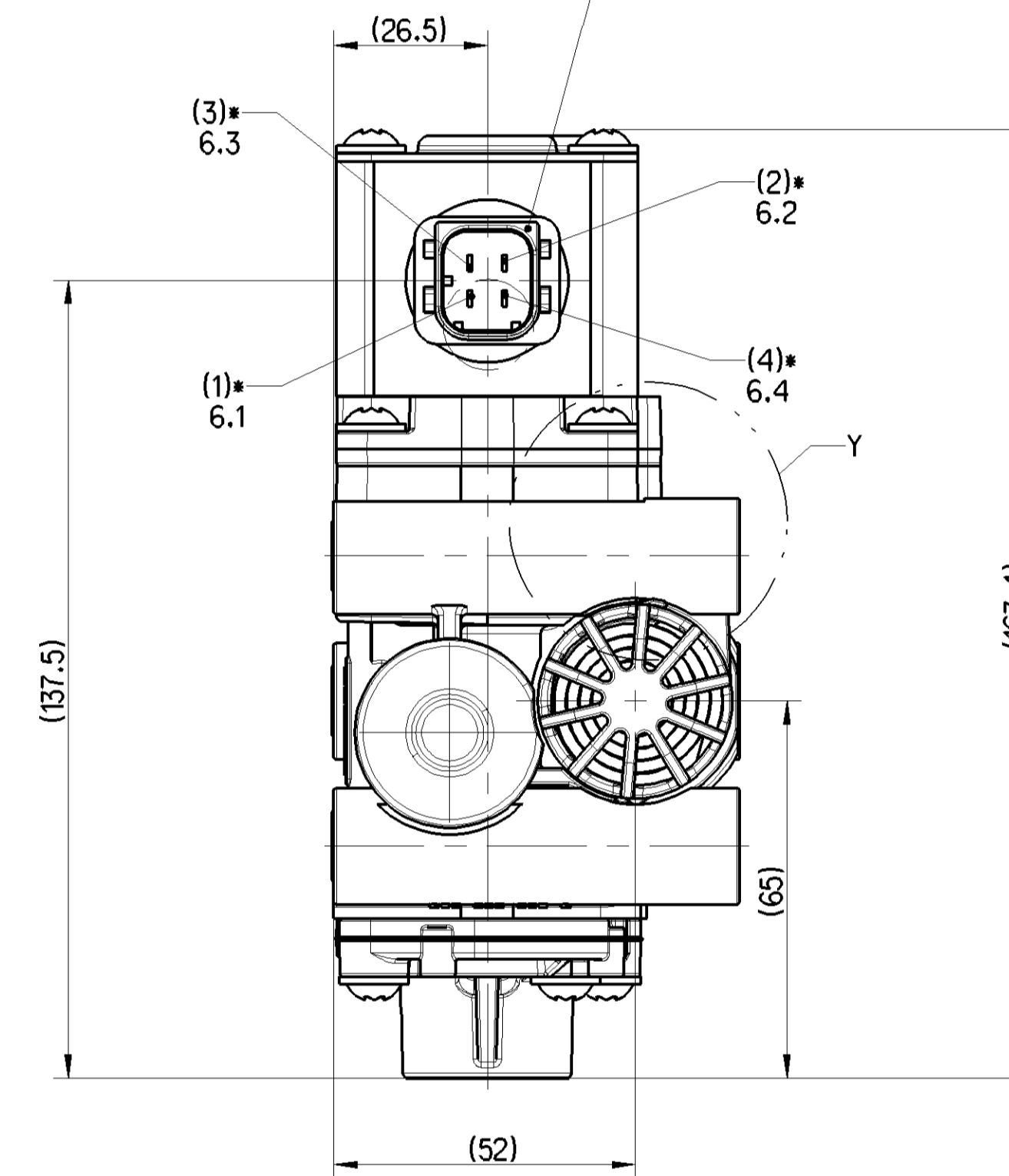
CONNECTOR ACCORDING TO INTERFACE DRAWING: TYCO HDSCS 4x2.8 Coding A  
858 000 882 4  
DOC.-CODE 007, REV. "C"

TYCO-INTERFACE DRAWING: C-114\_18739-1, REV. "C"  
CODING: A



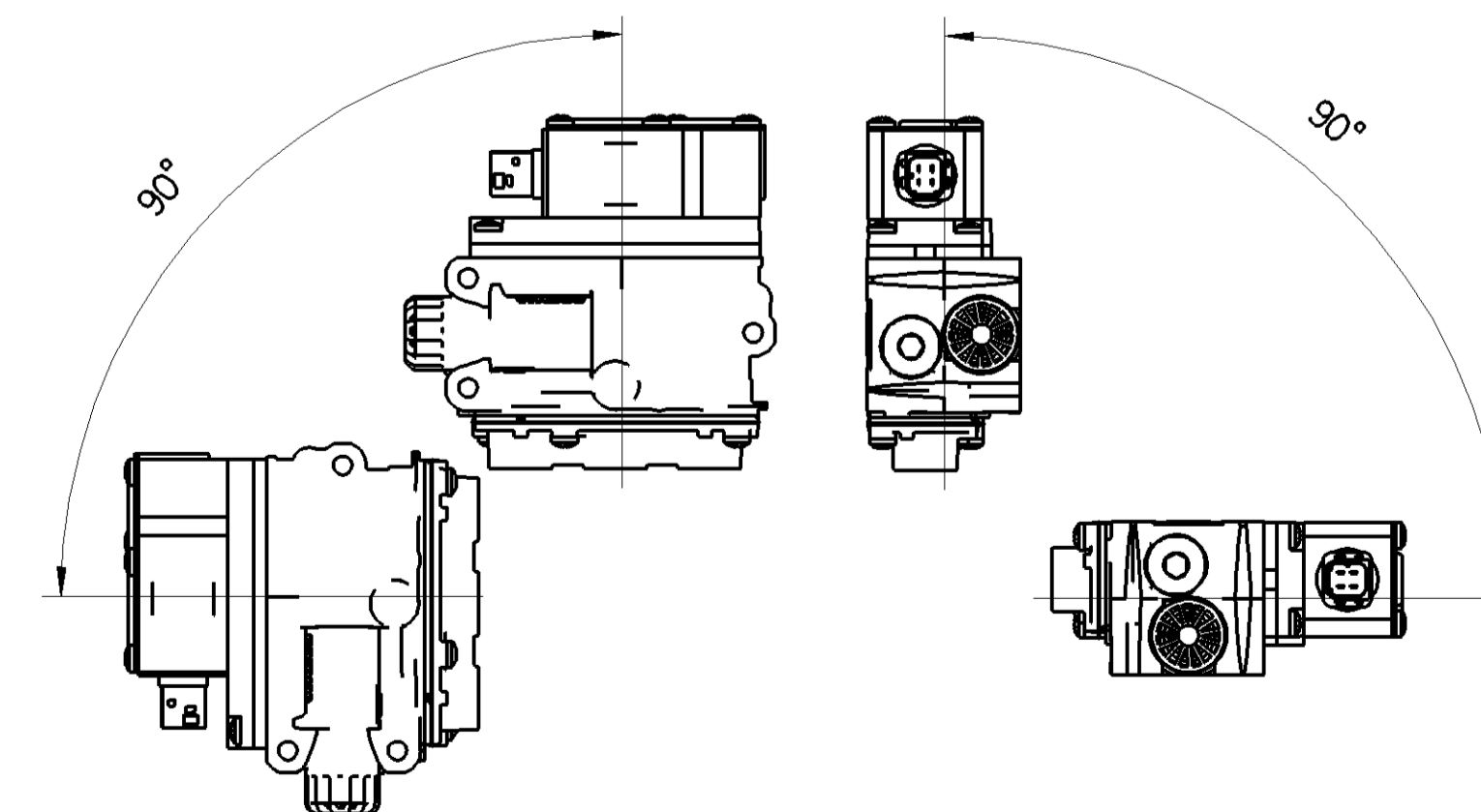
• SOCKET

SURFACE PROTECTION: 1-4  $\mu$ m Sn



11: SUPPLY; ALIMENTATION  
22,23: DELIVERY; UTILISATION  
3: EXHAUST; ECHAPPEMENT  
6.1, 6.2, 6.3, 6.4: ELECTRICAL CONTROL; COMMANDE ELECTRIQUE

PERMISSIBLE INSTALLATION POSITION



|   |              |                       |               |                  |               |
|---|--------------|-----------------------|---------------|------------------|---------------|
| General Specifications: JED-354-0             |              | Copyright WABCO®      |               | <b>WABCO</b>     |               |
| Further Technical Data: Product Specification |              | Title: Solenoid Valve |               | Solenoid Valve   |               |
| Doc. Code: G35                                |              | Date: 2021-04-15      |               | Revision: 005    |               |
| General Tolerances                            |              | Drawing: 1 To 15      |               | Language: EN     |               |
| Range of Nominal Dimensions L (a mm)          |              | 2021-04-15 1          |               | Sheet: 1/1       |               |
| Class   | 1: 50 ± 0.10 | 2: 50 ± 0.15          | 3: 180 ± 0.15 | 4: 180 ± 0.20    | 5: 400 ± 0.20 |
| Fin   | 0.5          | 1.0                   | 1.5           | 2.0              | 3.0           |
| Medium  | X            | 1.0                   | 2.0           | 3.0              | 4.0           |
| Coarse  | X            | 2.0                   | 3.5           | 5.0              | 6.5           |
| Tapped Holes acc.                             |              | 1:40                  |               | 1:1 (2:1)        |               |
| A 0   |              | CREO                  |               | 472 890 051 0    |               |
| 1) Tolerance class Applied: Unspecified       |              | E20176                |               | Revision: 005    |               |
|   |              | 1:20                  |               | 1:1              |               |
|   |              | 6670_AM               |               | Replacement for: |               |