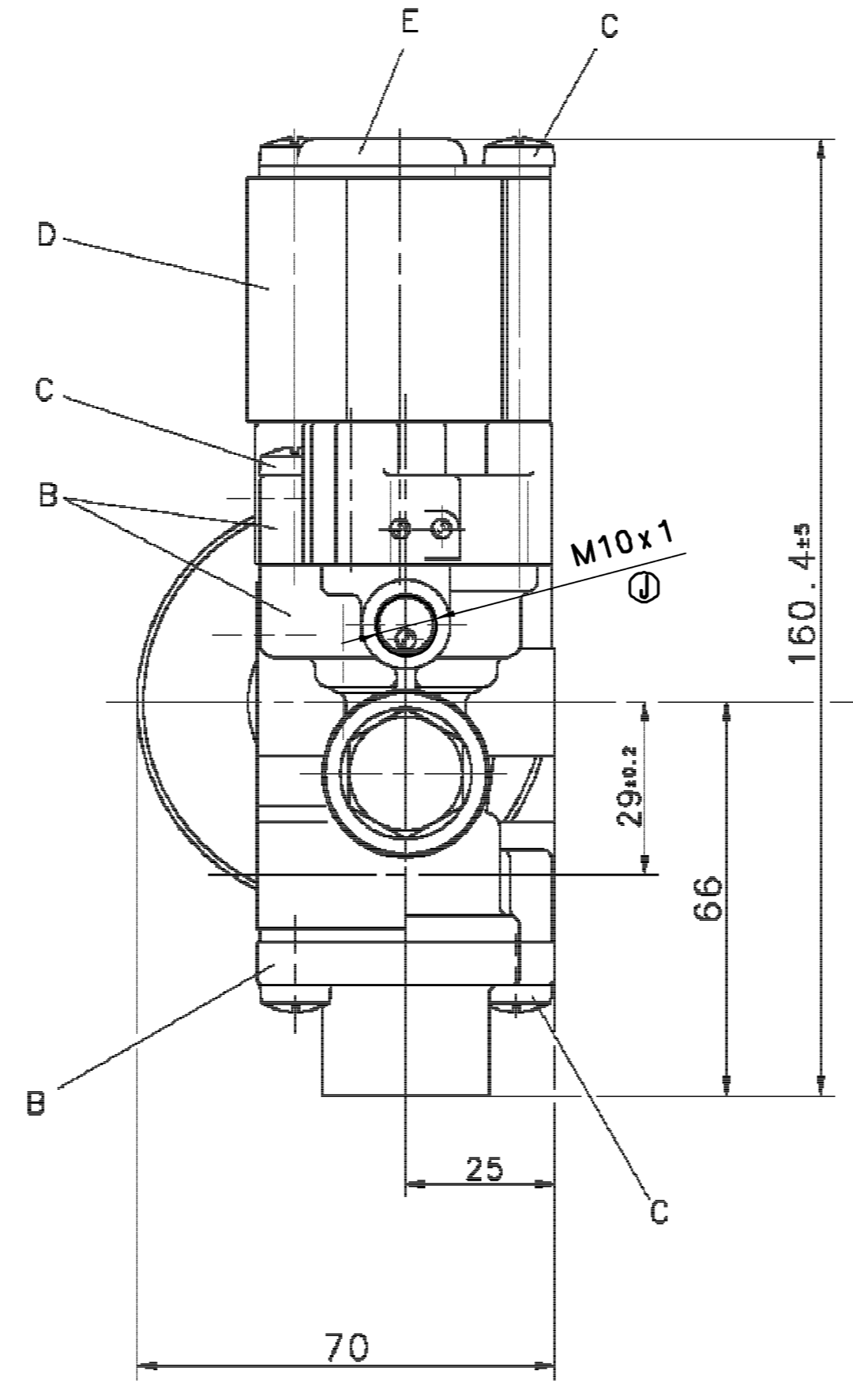


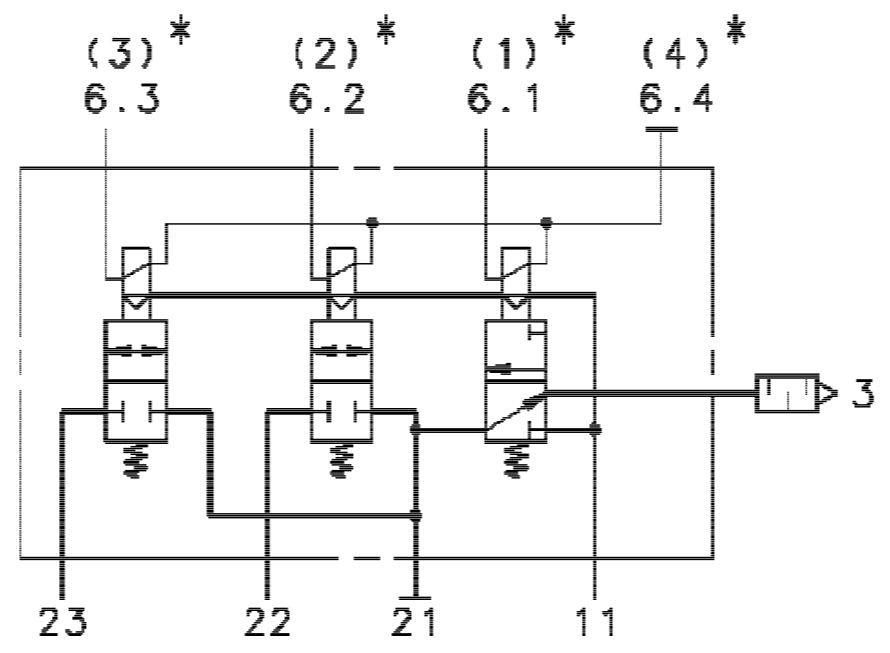
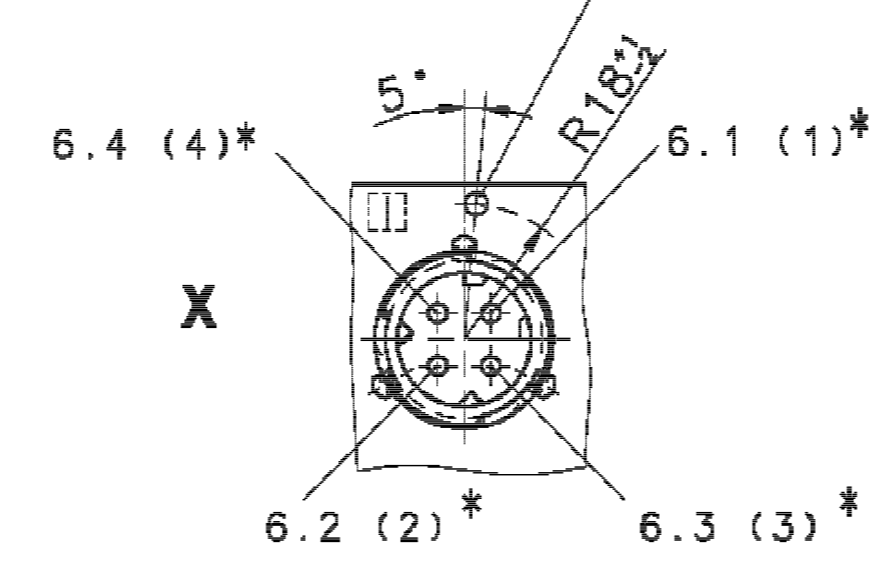
MATERIAL AND SURFACE PROTECTION			
A	PA 6.6 (JED-354.1)	D	PA 6.6 GK-35 (JED-559)
B	ZN (JED-004M) /C (JED-260)	E	FE (JED-057M) /ZN-FE (JED-256.1)
C	4.8 /ZN (JED-256)		

THE VALVE CORRESPONDS TO THE REGULATIONS FOR ELECTROMAGNETIC DEVICES ACCORDING TO VDE 0580  
 GERAET ENTSPRICHT DEN BESTIMMUNGEN FUER ELEKTROMAGNETISCHE GERAETE NACH VDE 0580  
 LA VALVE CORRESPOND AUX CONDITIONS POUR DES APPAREILS ELECTROMAGNETIQUES SUIVANT VDE 0580  
 LA VALVOLA CORRESPONDE ALLE CONDIZIONI PER APPARECCHI ELEKTROMAGNETICHI SECONDO VDE 0580

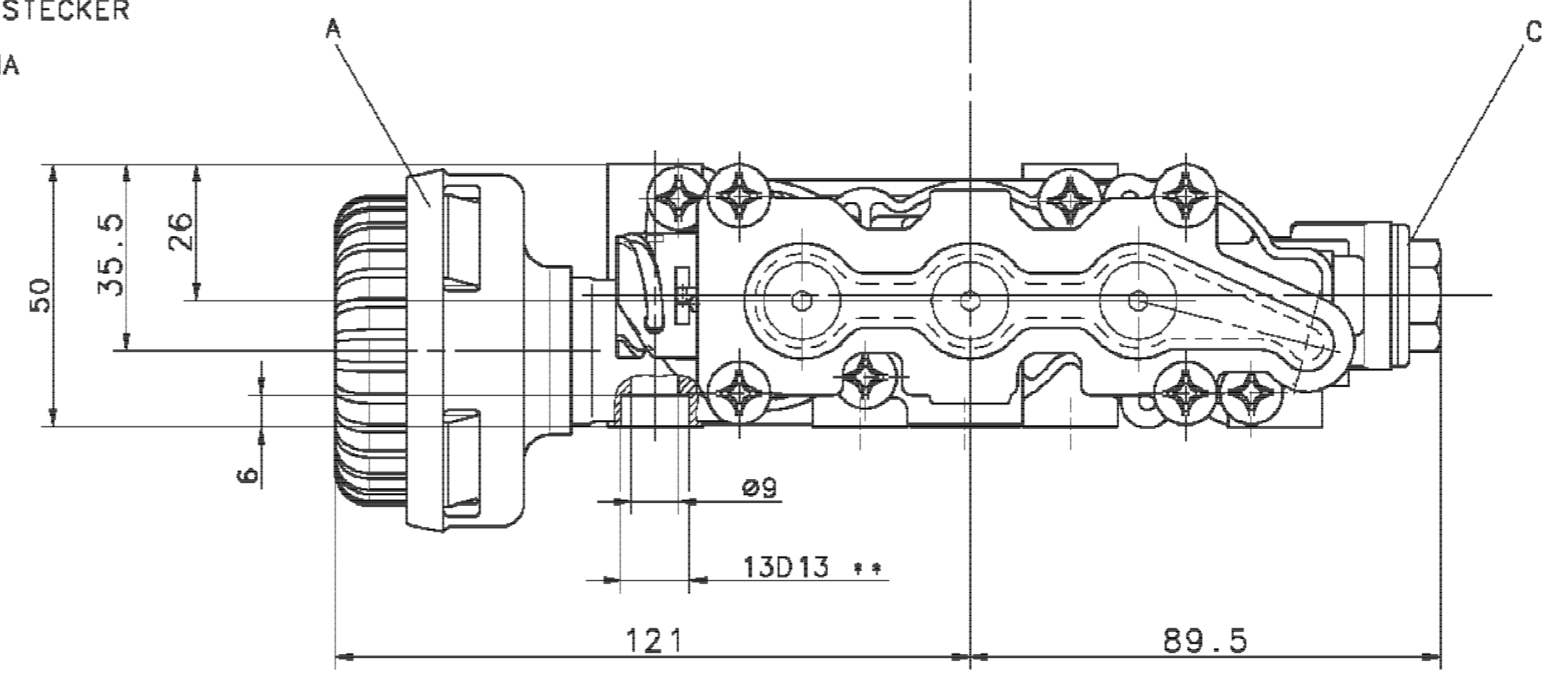
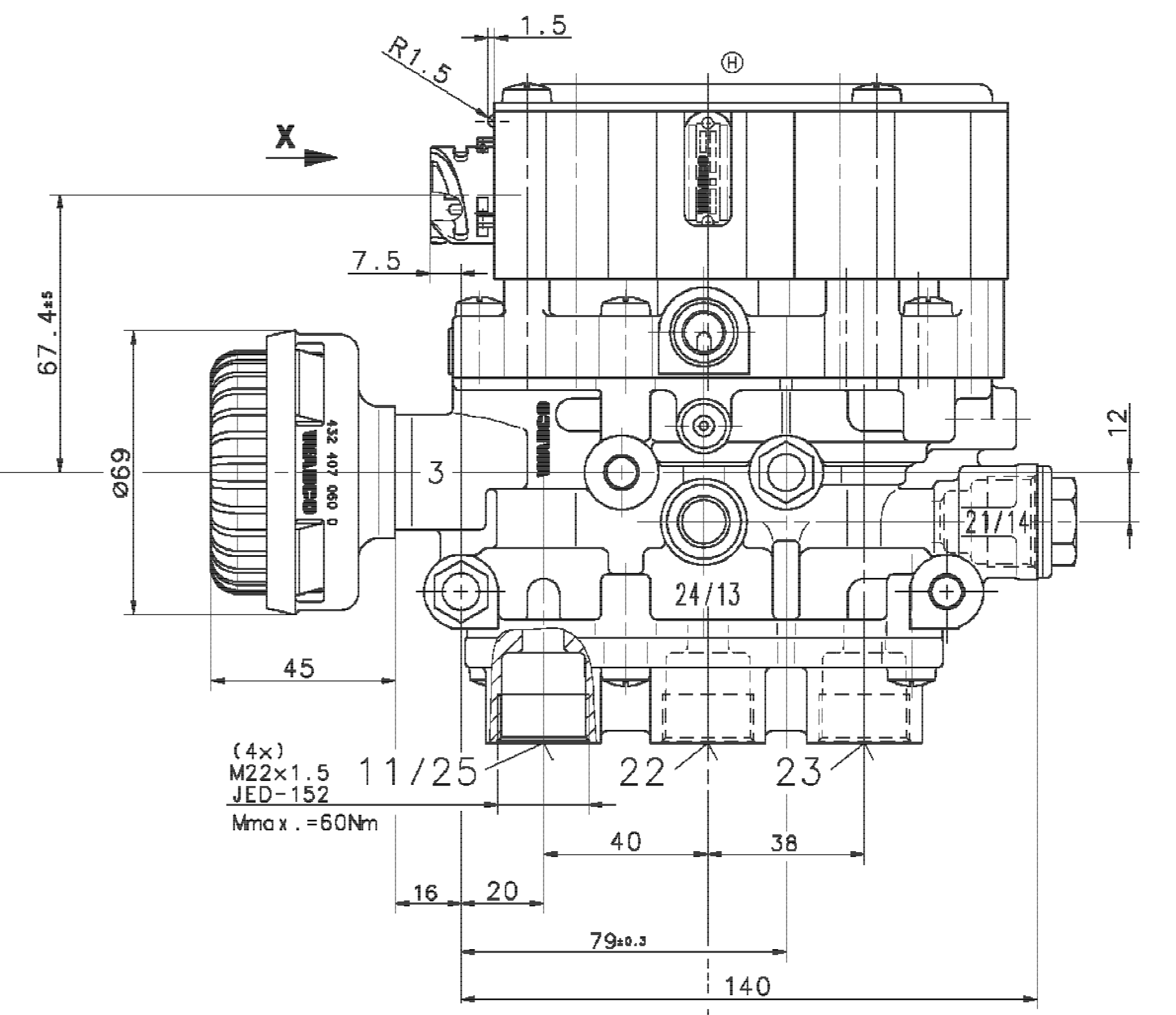
- 1.1 WORKING MEDIUM : AIR (WATER-, OIL AND ALCOHOL CONTAINING)  
 ARBEITSMEDIUM : LUFT (WASSER- OEL UND ALKOHOLHALTIG)  
 FLUIDE D'UTILISATION : AIR (CHARGE D'EAU, D'HUILE ETD'ALCOOL)  
 FLUIDO DI ESERCIZIO : ARIA (ACQUOSO, OLEIFERO E ALCOLOSO)
- 1.2 WORKING ENVIRONMENT : AIR (WATER- AND SALT CONTAINING)  
 UMGEBUNGSMEDIUM : LUFT (WASSER- UND SALZHALTIG)  
 FLUIDE AMBIANTE : AIR (CHARGE D'EAU DE SEL)  
 FLUIDO AMBIENTE : ARIA (ACQUOSO E SALIFERO)
- 2.1 THERMAL RANGE OF APPLICATION : -40°...+80°C  
 UNDER NORMAL AMBIANT CONDITIONS :  
 THERMISCHER ANWENDUNGSBEREICH :  
 UNTER NORMALEN UMGEBUNGSBEDINGUNGEN :  
 PLAGE DE TEMPERATURE EN UTILISATION CONTINUE DE :  
 CAMPO D'APPLICAZIONE TERMICA NELLE NORMALI CONDIZIONI AMBIENTALI :
- 2.2 SHORT TERM RESISTANCE TO HEAT : MAX. 1 h AT 110°C  
 KURZZEITIGE WAERMEBESTAENDIGKEIT :  
 RESISTANCE A LA CHALEUR A COURTE DUREE :  
 RESISTENZA AL CALORE BREVE TEMPO SOLO :
- 3.1 WORKING PRESSURE (SUPPLY) :  $p_e = 5...13$  bar  
 BETRIEBSDRUCK (VORRAT) :  
 PRESSION D'UTILIZATION (ALIMENTATION) :  
 PRESSIONE DI ESERCIZIO (ALIMENTAZIONE) :
- 3.2 MAX. DYNAMIC PRESSURE (SERVICE LINE) :  $p_e = 20$  bar  
 MAX. DYNAMISCHER DRUCK (ARBEITSLLEITUNG) :  
 PRESSION DYNAMIQUE MAXI (CONDUITE DE SORTIE) :  
 PRESSIONE DINAMICA MAX. (CONDOTTA D'USCITA) :
- 4.1 MIN. FLOW PASSAGE /NOMINAL DIAMETER :  
 MIN. DURCHFLUSSOFFNUNG /NENNWEITE :  
 MIN. ORIFICE CALIBRE /DIAMETRE NOMINAL :  
 MIN. PASSAGGIO LIBERO /DIAMETRO NOMINALE :
- 4.2 PORT 3, 11, 21 : 75 mm<sup>2</sup> (±0.8mm)  
 ANSCHLUSS 3, 11, 21 :  
 ORIFICE 3, 11, 21 :  
 ORIFIZIO 3, 11, 21 :
- 4.3 PORT 22, 23 : 38.5 mm<sup>2</sup> (±0.7mm)  
 ANSCHLUSS 22, 23 :  
 ORIFICE 22, 23 :  
 ORIFIZIO 22, 23 :
- 5 INSTALLATION LIMITATIONS : PORT 3 HORIZONTAL OR BELOW  
 EINBAUBESCHRAENKUNGEN : ANSCHLUSS 3 LIEGEND ODER UNTEN  
 RESTRICTIONS D'INSTALLATION : ORIFICE 3 HORIZONTALE OU DESSOUS  
 LIMITAZIONE DI MONTAGGIO : ORIFIZIO 3 ORIZZONTALE OGIU
- 6 MAINTENANCE REQUIREMENTS : NONE  
 WARTUNGSANFORDERUNGEN : KEINE  
 ENTRETIEN : NON  
 MANUTENZIONE : NON
- 7 VOLTAGE : 24 V +6 V  
 SPANNUNG : -4.4 V  
 VOLTAGE :  
 VOLTAGGIO :
- 8 TYPE OF CURRENT : DIRECT CURRENT  
 STROMART : GLEICHSTROM  
 NATURE DU COURANT : COURANT CONTINU  
 NATURA DELLA CORRENTE : CORRENTE CONTINUA
- 9 SERVICE CONDITION : 100% ED/5min (-40°C + +60°C)  
 BETRIEBSART :  
 CONDITION DU SERVICE : 50% ED/5min (+60°C + +80°C)  
 CONDIZIONE DI SERVIZIO :
- 10 SECURITY AGAINST THE CONFUSING OF POLES : EXISTING  
 VERPOLSICHERHEIT : VORHANDEN  
 DISPOSITIF DE TROMPEUR DE POLES : EXISTANT  
 SICUREZZA CONTRO L'INVERSIONE DEI POLI : ESISTENTE
- 11 NOMINAL CURRENT AT ROOM TEMPERATURE :  $I_N = 0.32$  A  
 NENNSTROM BEI RAUMTEMPERATUR :  
 COURANT NOMINAL A LA TEMPERATURE AMBIANTE :  
 CORRENTE NOMINAL ALLA TEMPERATURA AMBIENTE :
- 12 TYPE OF PROTECTION ACC. TO DIN 40050 : IP 6K6K  
 SCHUTZART NACH DIN 40050 :  
 MODE DE PROTECTION SUIVANT DIN 40050 :  
 TIPO DI PROTEZIONE SECONDO DIN 40050 :
- 13 PROTECTION CLASS : III  
 SCHUTZKLASSE :  
 CLASSE DE PROTECTION :  
 CLASSE DI PROTEZIONE :



DIN 72585-A1-4.1-Sn/K1  
 CODE FOR PLUG  
 CODIERUNG FUER STECKER  
 CODE POUR FICHE  
 CODICE PER SPINA



11 SUPPLY, ENERGIEZUFLOSS VOM VORRAT, ALIMENTATION, ALIMENTAZIONE  
 21, 22, 23 DELIVERY, ENERGIEABFLUSS IN DIE ARBEITSLLEITUNG, UTILISATION, MANDATA  
 3 EXHAUST, ANSCHLUSS ATMOSPHAERE, ECHAPPEMENT, SCARICO  
 6.1, 6.2, 6.3, 6.4 ELECTRICAL CONTROL, ELEKTRISCHER STEUERANSCHLUSS, COMMANDE ELETRIQUE,  
 COMANDO ELETRICO



GENERAL SPECIFICATION: JED-354				DATE				SIGNATURE	
DOC. CODE:	SHEET:	TO:	060600	2 x J	06-01-06	<b>WABCO</b> SOLENOID VALVE MAGNETVENTIL (ANTRIEBSACHSE) ELECTROVANNE ELETTROVALVOLA			
GENERAL DIMENSIONS			082968	1xH	03-03-12				
RANGE OF NOMINAL DIMENSIONS (± mm)			075961	2xG	01-08-14				
			072832	1xF	00-04-11				
			064445	2xE	98-03-06				
CLASS 1)	≤50	≤180	≤400	061236	8xD	97-09-30	MASS SCALE		
FINE	0.5	1.0	1.5	058770	2xC	96-01-16	PRODUCT IDENTIFICATION NO.		
MED. FILM	1.0	2.0	3.0	055788	3xB	95-11-30	472 900 063 0		
COARSE	2.0	3.5	5.0	055767	3xA	95-07-18	605 1/1		
TAPPED Holes ACC. 180-4000-7-JED-100			REV. DATE			A 1 560		SHAPE CODE	
1) TOLERANCE CLASS APPLIED CROSSMARKED			DIN-NO. REV. DATE			100mm		REPLACEMENT FOR	

THIS DOCUMENT IS THE PROPERTY OF WABCO. IT IS TO BE USED ONLY FOR THE PURPOSES INTENDED. IT IS NOT TO BE REPRODUCED OR TRANSMITTED IN ANY FORM OR BY ANY MEANS, ELECTRONIC OR MECHANICAL, INCLUDING PHOTOCOPYING, RECORDING, OR BY ANY INFORMATION STORAGE AND RETRIEVAL SYSTEM. ALL RIGHTS ARE RESERVED. THE DESIGN AND CONSTRUCTION OF THIS PRODUCT ARE THE PROPERTY OF WABCO. THE USER AGREES TO INDEMNIFY AND HOLD WABCO HARMLESS FROM AND AGAINST ALL SUCH CLAIMS.