

REPAIR KIT 4730179212 CONSISTS OF ITEMS SHOWN

S.No.	CUSTOMER PART No.	DEVICE PART No.	DESCRIPTION	QTY
1		473 017 035 2	VALVE SHUTTLE TYPE	1
2		896 070 110 4	VALVE SPRING	1
3		897 980 104 4	O-RING	1
4		897 980 105 4	O-RING	1
5		897 980 133 4	O-RING	1
6		897 980 222 4	O-RING	1
7		897 980 323 4	O-RING	1
8		899 500 014 2	VALVE	1
9		899 980 000 4	VALVE GUIDE	1
10		973 298 225 4	FILTER	1
11		973 298 534 2	SILENCER ASSEMBLY	1
		100919910	GREASE SACHET	1

REPAIR KIT 300003123 (MSP 3/123) CONSISTS OF ITEMS SHOWN

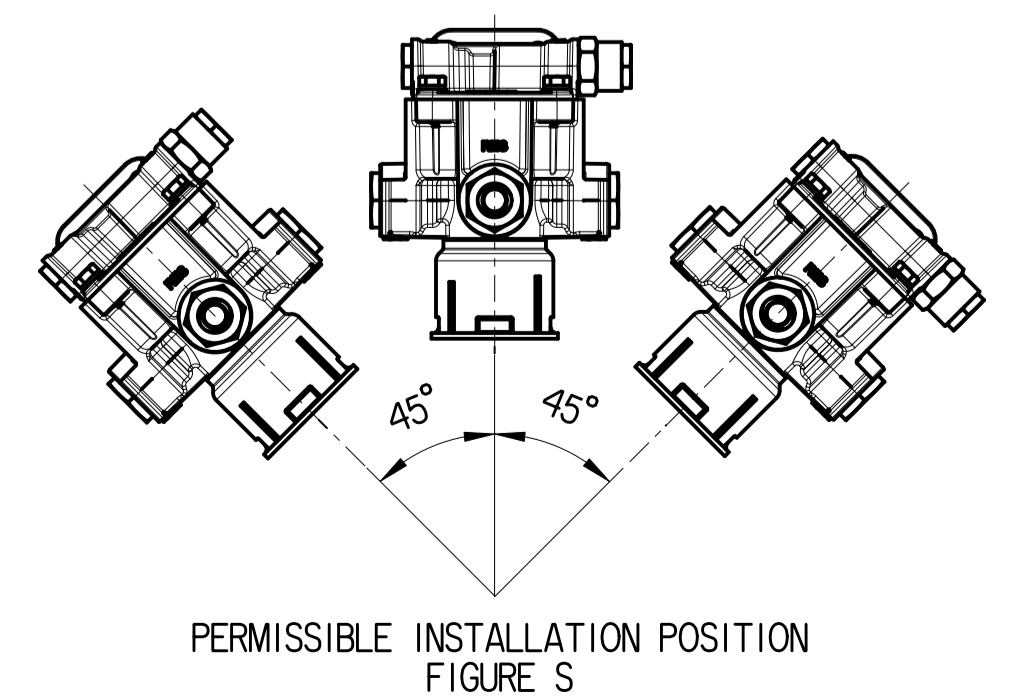
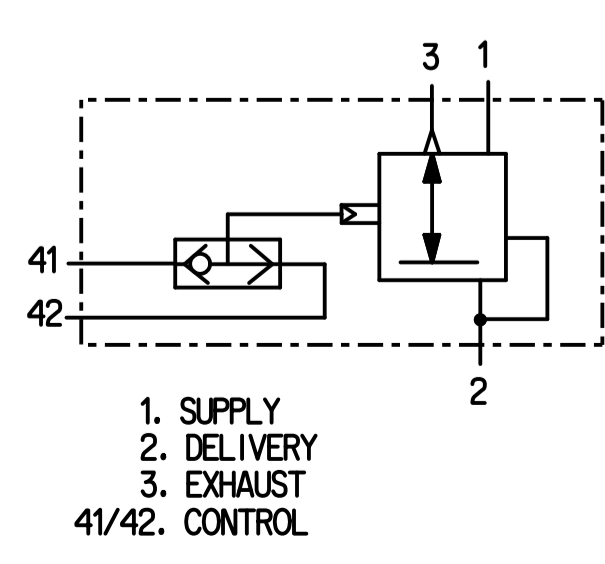
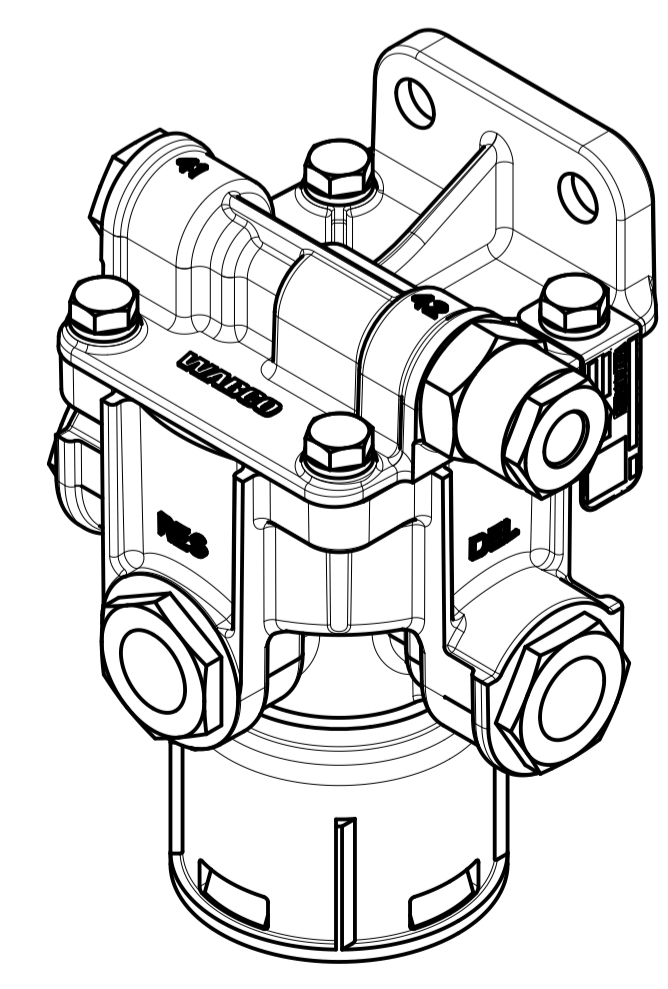
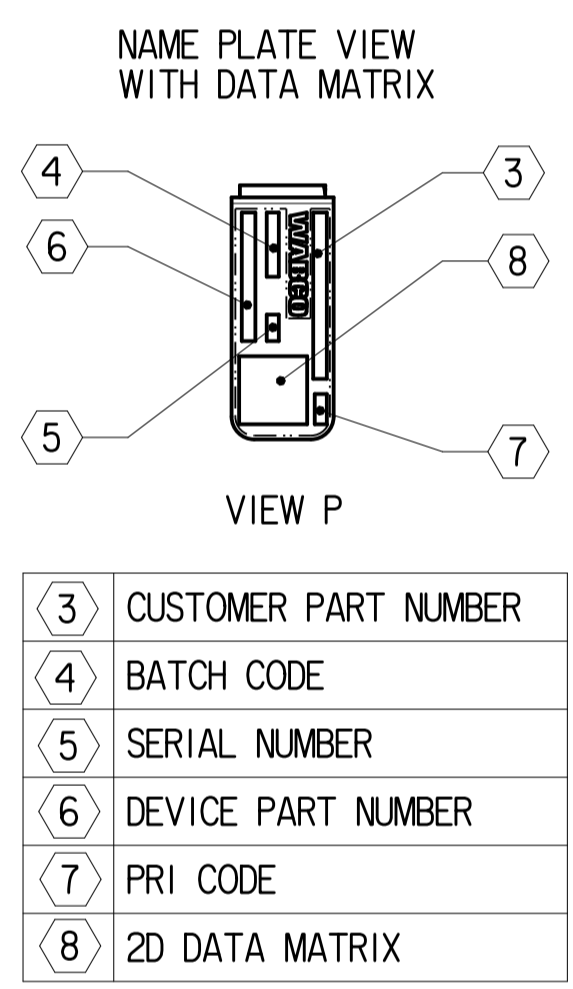
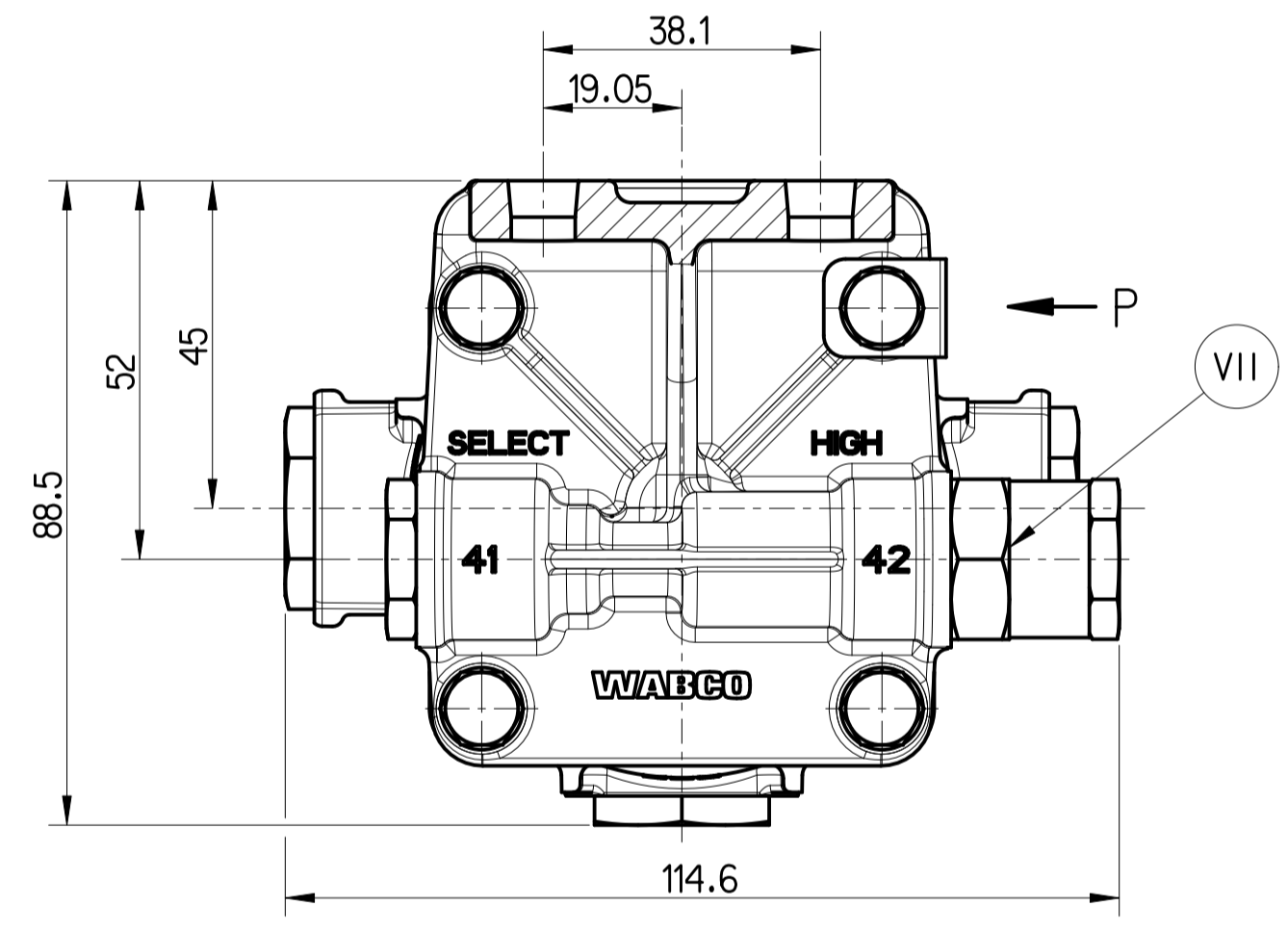
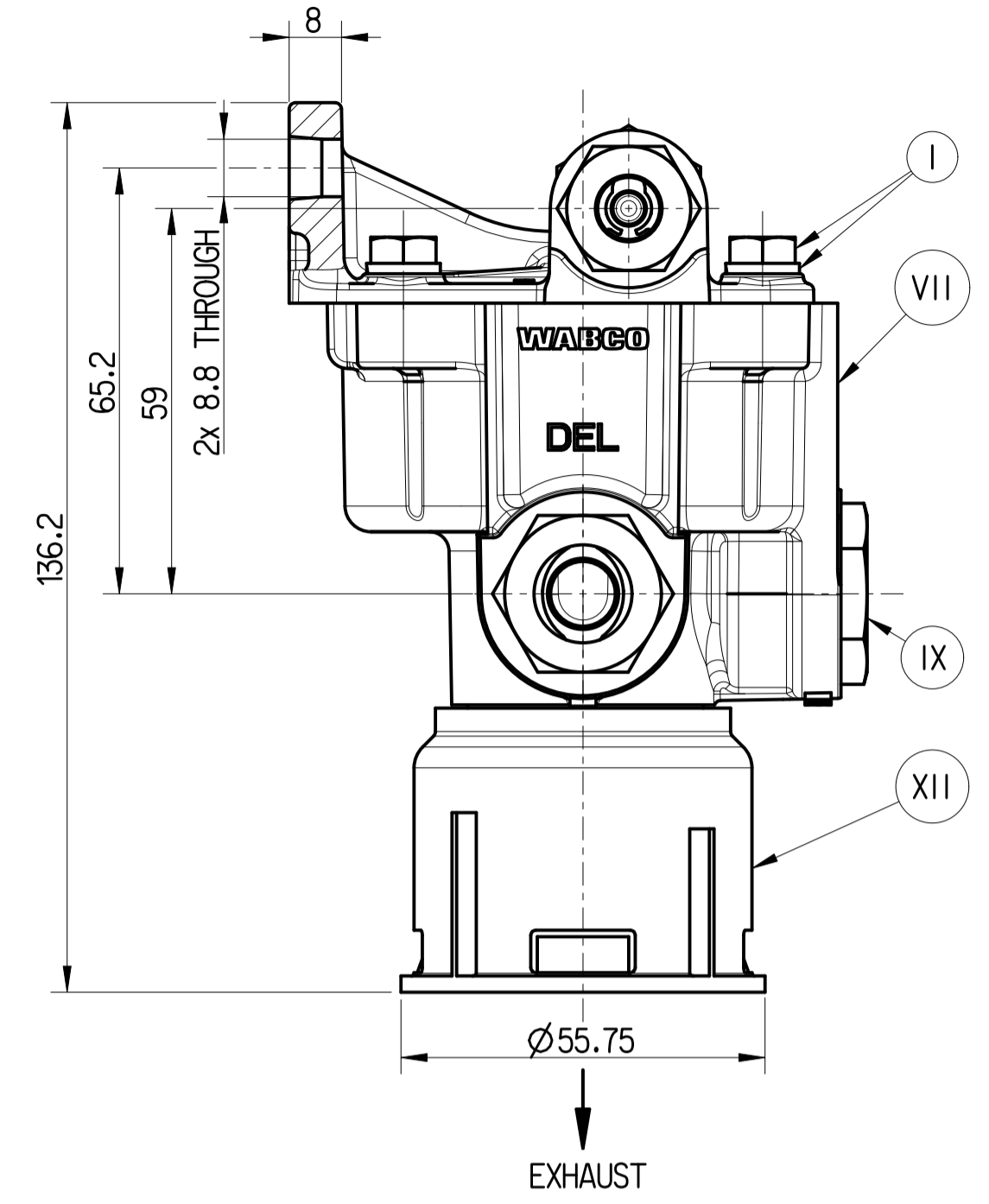
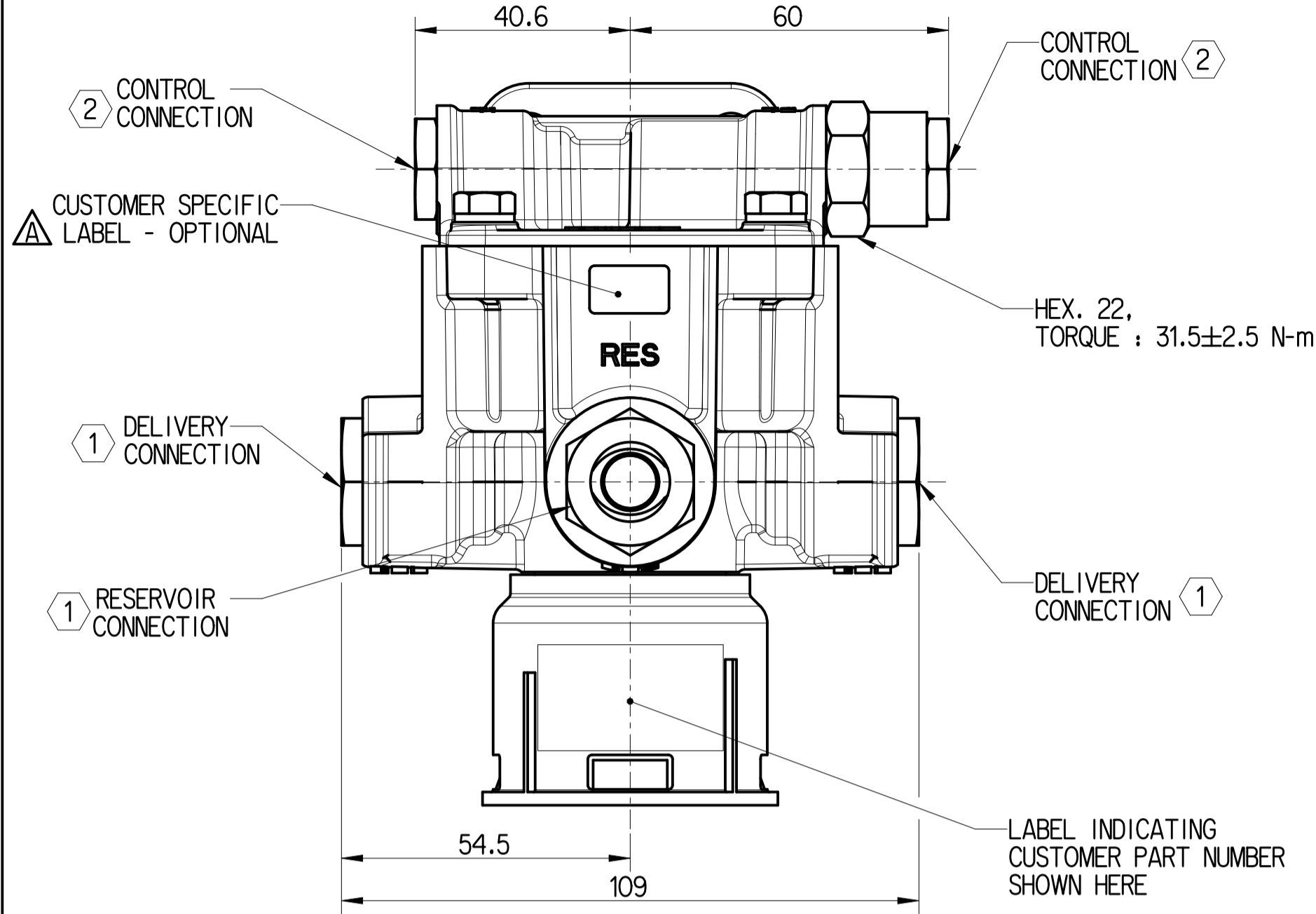
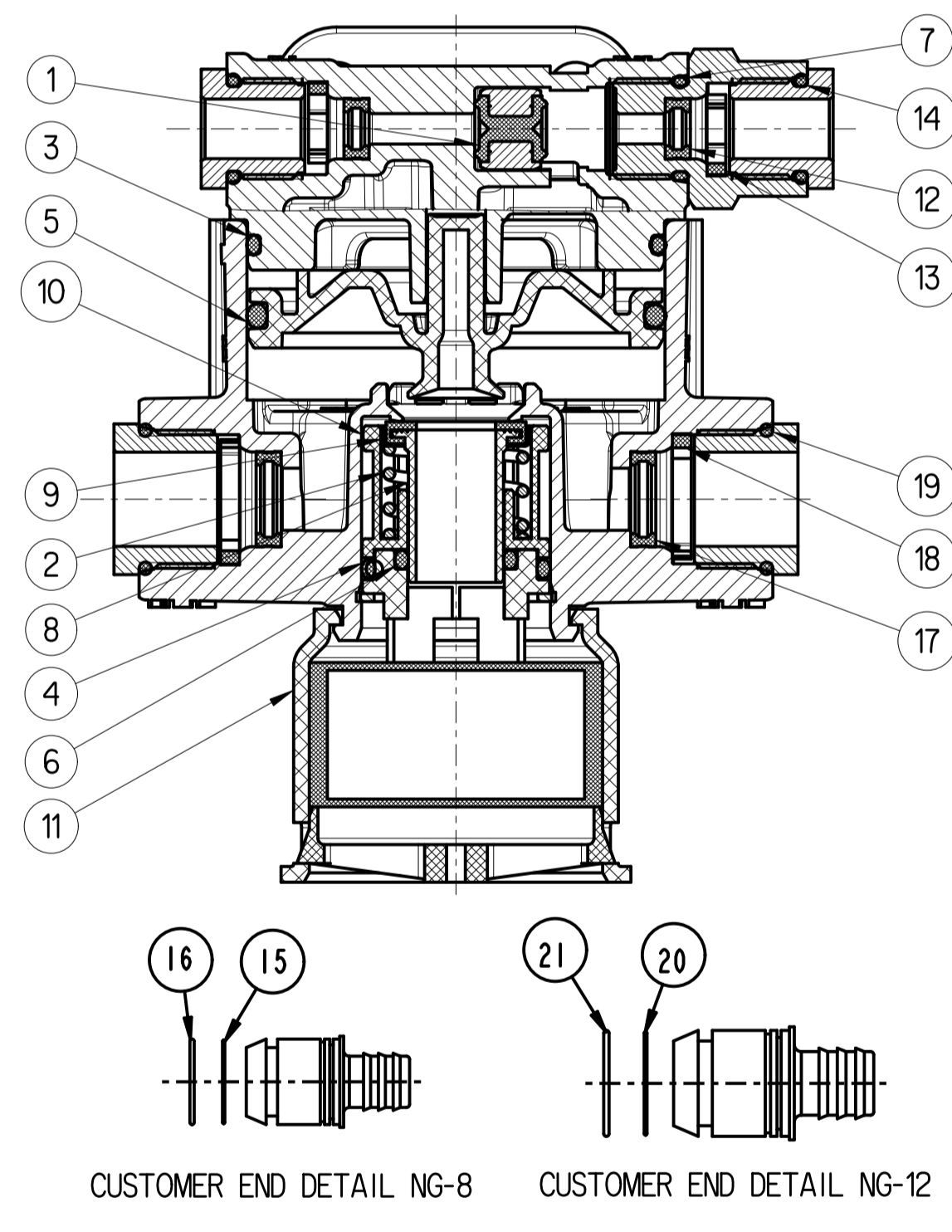
S.No.	CUSTOMER PART No.	DEVICE PART No.	DESCRIPTION	QTY
12		895 370 005 4	SPRING ELEMENT	1
13		895 226 706 4	RETAINING CLIP	1
14		897 980 323 4	O-RING	1
15		897 980 145 4	O-RING	1
16		897 980 156 4	O-RING	1

REPAIR KIT REQUIRED IS MAXIMUM 2 IN QTY

REPAIR KIT 300003124 (MSP 3/124) CONSISTS OF ITEMS SHOWN

S.No.	CUSTOMER PART No.	DEVICE PART No.	DESCRIPTION	QTY
17		895 370 004 4	SPRING ELEMENT	1
18		895 226 697 4	RETAINING CLIP	1
19		897 980 322 4	O-RING	1
20		897 980 146 4	O-RING	1
21		897 980 153 4	O-RING	1

REPAIR KIT REQUIRED IS MAXIMUM 3 IN QTY



PART CODE	MATERIAL	SURFACE PROTECTION
XVII	STEEL	NO TREATMENT
XVI	CAST IRON	PLATED
XV	STEEL	ZINC IRON PLATED
XIV	CAST IRON	NO TREATMENT
XIII	ZINC ALLOY	ANODISED
XII	PLASTIC	NO TREATMENT
XI	RUBBER	NO TREATMENT
X	STAINLESS STEEL	NO TREATMENT
IX	BRASS	NO TREATMENT
VIII	ZINC ALLOY	CHROMATED
VII	ALUMINIUM ALLOY	ANODISED
VI	ALUMINIUM ALLOY	CHROMATED
V	CAST IRON	PAINTED
IV	STEEL	POWDER COATED
III	STEEL	PAINTED
II	STEEL	PHOSPHATED
I	STEEL	ZINC PLATED

MERKMALE NACH ZFN 1204
CHARACTERISTICS ACC. TO ZFN 1204
C O(O) S O(O)

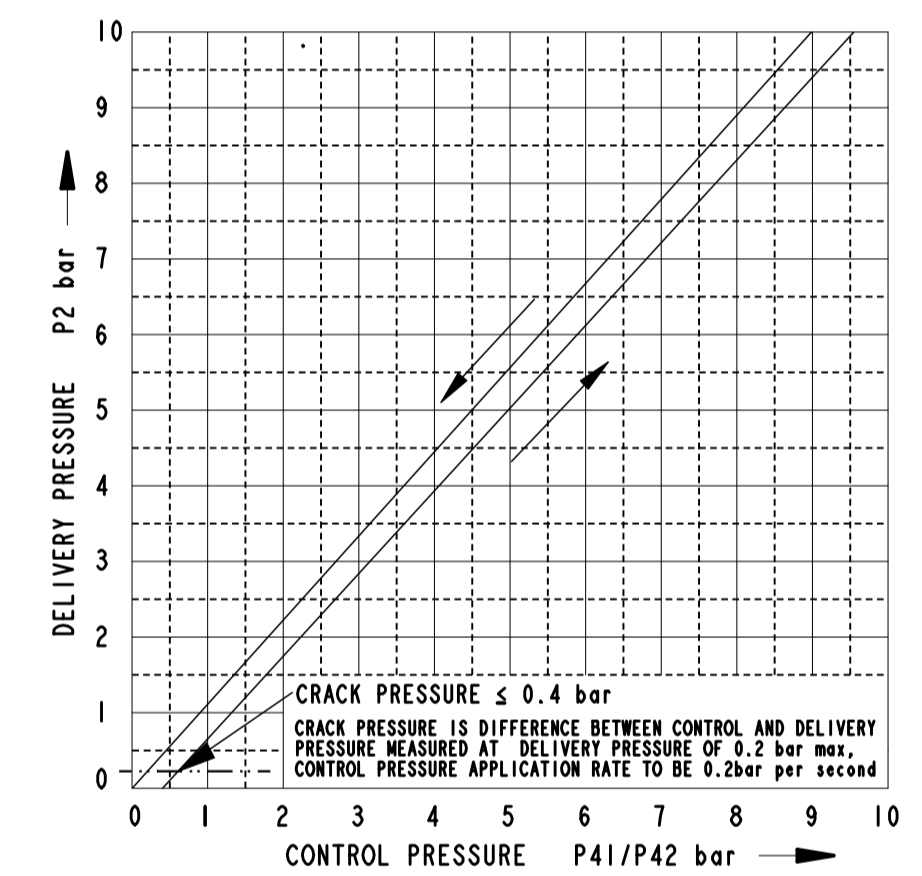
ASSEMBLY PROCEDURE:

(a) THE SPRING ELEMENT IS INSERTED INTO THE CHAMBER UNDER THE THREAD ROOT OF THE CONNECTION BORE (a) AND (b).

(b) THE RETAINING CLIP IS INTRODUCED SO THAT IT RESTS FLAT ON THE THREAD ROOT (b) AND (c). THE SPRING ELEMENT AND RETAINING CLIP ARE SYMMETRICAL.

(c) THE MALE FITTING PRE-ASSEMBLED WITH THE PRE-GREASED O-RING TO SEAL THE THREAD IS SCREWED BY HAND INTO THE TAPPED BORE (c) AND TIGHTENED.

DESCRIPTION	M22x1.5 VOSS PART No.	M16x1.5 VOSS PART No.
MALE FITTING	00 62 03 99 00	00 62 02 99 00
RETAINER CLIP	00 62 01 90 00	00 62 00 90 00
SPRING ELEMENT	00 62 05 99 00	00 62 04 99 00



Sl.No.	NOTES
1	PRODUCT FUNCTION AND RELIABILITY
1.1	WORKING MEDIUM AIR
1.2	NORMAL WORKING PRESSURE 10 bar
1.3	MAXIMUM WORKING PRESSURE (TEMPORARILY) 13 bar
1.4	CRACK OFF PRESSURE ≤ 0.4 bar
1.5	NOMINAL FLOW DIAMETER (WITH VOSS CONNECTION) 10 mm
1.6	NOISE LEVEL FITTED WITH SILENCER ≤ 72 dBA
1.7	THERMAL RANGE OF APPLICATION - 40°C TO +80°C
1.8	INSTALLATION POSITION REFER FIGURE S
1.9	CORROSION RESISTANCE 240 HOURS OF NSS.
2	QUALITY COMPLIANCE TESTS WILL BE CARRIED OUT REGULARLY AS PER PS CLAUSE No. 16
3	SERVICE LIFE TO FIRST OVERHAUL IF FITTED AS PER RECOMMENDED LAYOUT AND CONNECTIONS 3 YEARS/300 000 KMS.WHICHEVER IS EARLIER
4	OPEN PORTS AND CONNECTIONS ARE FITTED WITH CLOSURE PLUGS FOR STORAGE AND TRANSIT PURPOSES

	1	2
THREAD TYPE	M22x1.5, HEX. 24 TO SUIT VOSS PLUG IN SYSTEMS 230	M16x1.5, HEX. 19 TO SUIT VOSS PLUG IN SYSTEMS 230
PREMISSIBLE TORQUE	10±1 N-m	10±1 N-m

General Specifications: ISO 8015, JED-334-1, Size ISO 14405 LP

Further Technical Data: 473 017 036 O

Doc. Code: 035 Sheet: 1 To 10

Copyright ZF®

Date: 2026-02-03

Signature: Prasanna

Checked: Balakrishnan

General Tolerances JED-261

Range of nominal dimensions in mm

Class	1) ≤ 50	2) > 50 & ≤ 180	3) > 180 & ≤ 400	4) > 400
Fine	±0.5	±1	±1.5	±2
Medium	±1	±2	±3	±4
Coarse	±2	±3.5	±5	±6.5

Dimensions in mm

Mass: 0.667 kg

Scale: 1:1

Material No.: 473 017 036 0

Date of first issue: 2020-01-08

Doc. Code: Language: Sheet: 005 EN 1/1

ECN-No.: 519023

Revision: 1

Techn. Resp.: A 522LWIN

1) Tolerance Class Applied Crossmarked