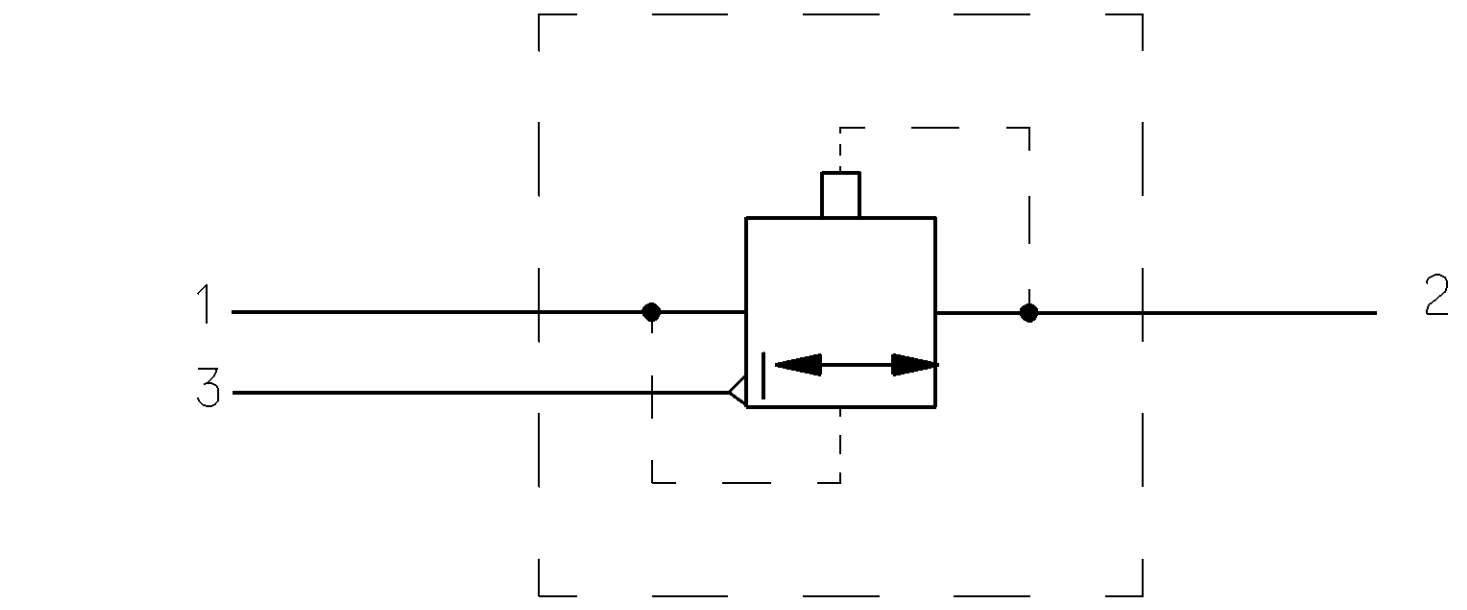
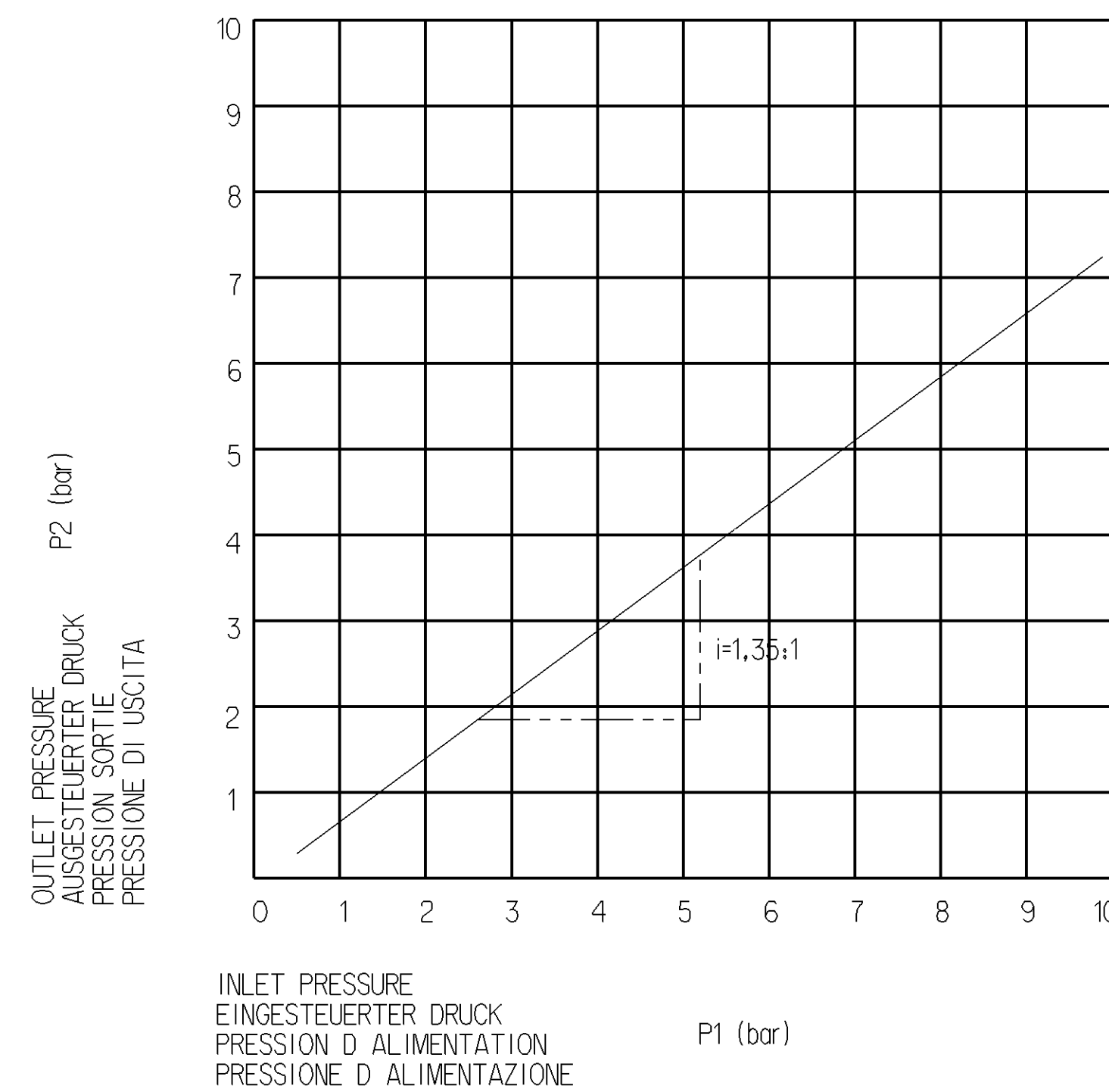


NAMEPLATE
BEZEICHUNGSSCHILD
PLAQUE DE FIRME
TARGHETTA

TORQUE:
ANZUGSMOMENT:
COUPLE DE SERRAGE: M22x1.5: M_{max} = 53Nm
COPPIA DI SERRAGIO:

CORROSION RESISTANCE:
KORROSIONSSCHUTZ:
PROTECTION CONTRE LA CORROSION:
ANTIRUGGINE:

SK DIN 50 017 >96h/ISO 3768 > 96h



MEDIUM AIR
MEDIUM LUFT
FLUIDE AIR
FLUIDO ARIA

WORKING PRESSURE
BETRIEBSDRUCK
PRESSION D'UTILISATION
PRESSIONE DI ESERCIZIO

pe max = 10 bar

THERMAL RANGE OF APPLICATION
THERMISCHER ANWENDBEREICH
GAMME D'APPLICATION THERMIQUE
CAMPO DI APPLICAZIONE TERMICA

- 40°C....+ 80°C

INSTALLATION POSITION AS DRAWN
EINBAULAGE WIE GEZEICHNET
POSITION D'INSTALLATION SUIVANT DESSIN
POSIZIONE DI MONTAGGIO COME DISEGNATO

- 1 INLET
EINGANG
ALIMENTATION
ALIMENTAZIONE
- 2 OUTLET
AUSGANG
SORTIE
USCITA
- 3 EXHAUST
ENTLUEFTUNG
ECHAPPMENT
SCARICO

This communication or reproduction of its content is prohibited, without the express written consent of WABCO. Any use of this document or its content without the express written consent of WABCO is prohibited. Any use of this document or its content without the express written consent of WABCO is prohibited. Any use of this document or its content without the express written consent of WABCO is prohibited.

General Specification: JED-334-0		Copyright WABCO®		WABCO	
Further Technical Data:		Date	Signature	PRESSURE REDUCING VALVE	
Doc. Code:	Sheet: To	2005-09-22	Karthikeyan	REDUZIERVERTIL	
General Tolerances JED-261		Checked	2007-08-01	Pfeiffer	VALVE DE REDUCTION
Range of Nominal Dimensions (± mm)		Expert	VALVOLA LIMITATRICE		
Class 1)	< 50	50 > 180	180 < 400	400 > 630	Material No.
Fine	± 0.1	± 0.15	± 0.2	± 0.3	WABCO Id. No.: 473 301 002 0
Medium	± 0.2	± 0.3	± 0.4	± 0.5	Doc. Code Language Sheet
Coarse	± 0.3	± 0.5	± 0.7	± 1.0	005 fr/en 1/1
Tapped Holes acc. ISO 4039/JED-152		Mass	Scale	473 301 002 0	
089869	E 2005-09-22	0.769	1:1	Replacement for	
DDN-No., Rev., Date	State of Revision	Size	TR1	Function Code CAD System Prod. Type	
1) Tolerance Class Applied Crossmarked		A 1	530	Pro/E	00 X
				473 301 002 0 of 78-10-24	