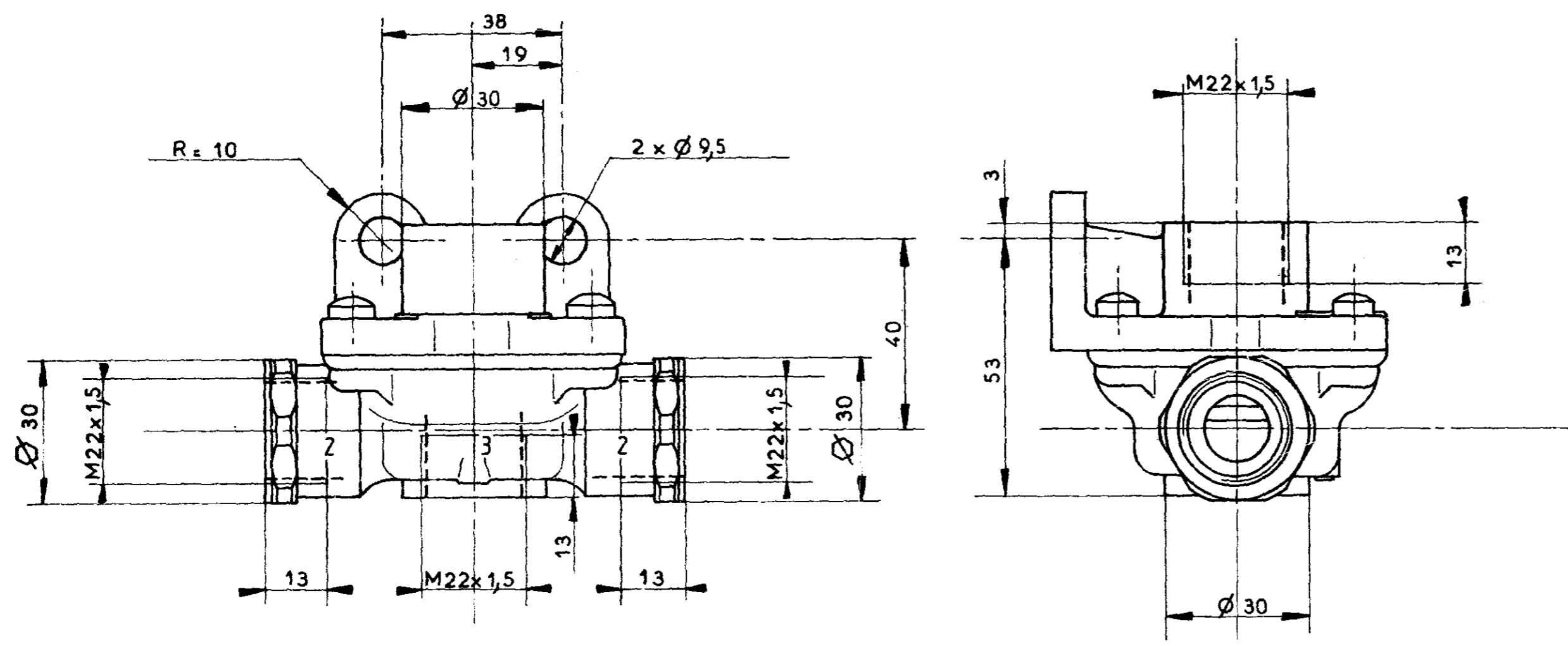


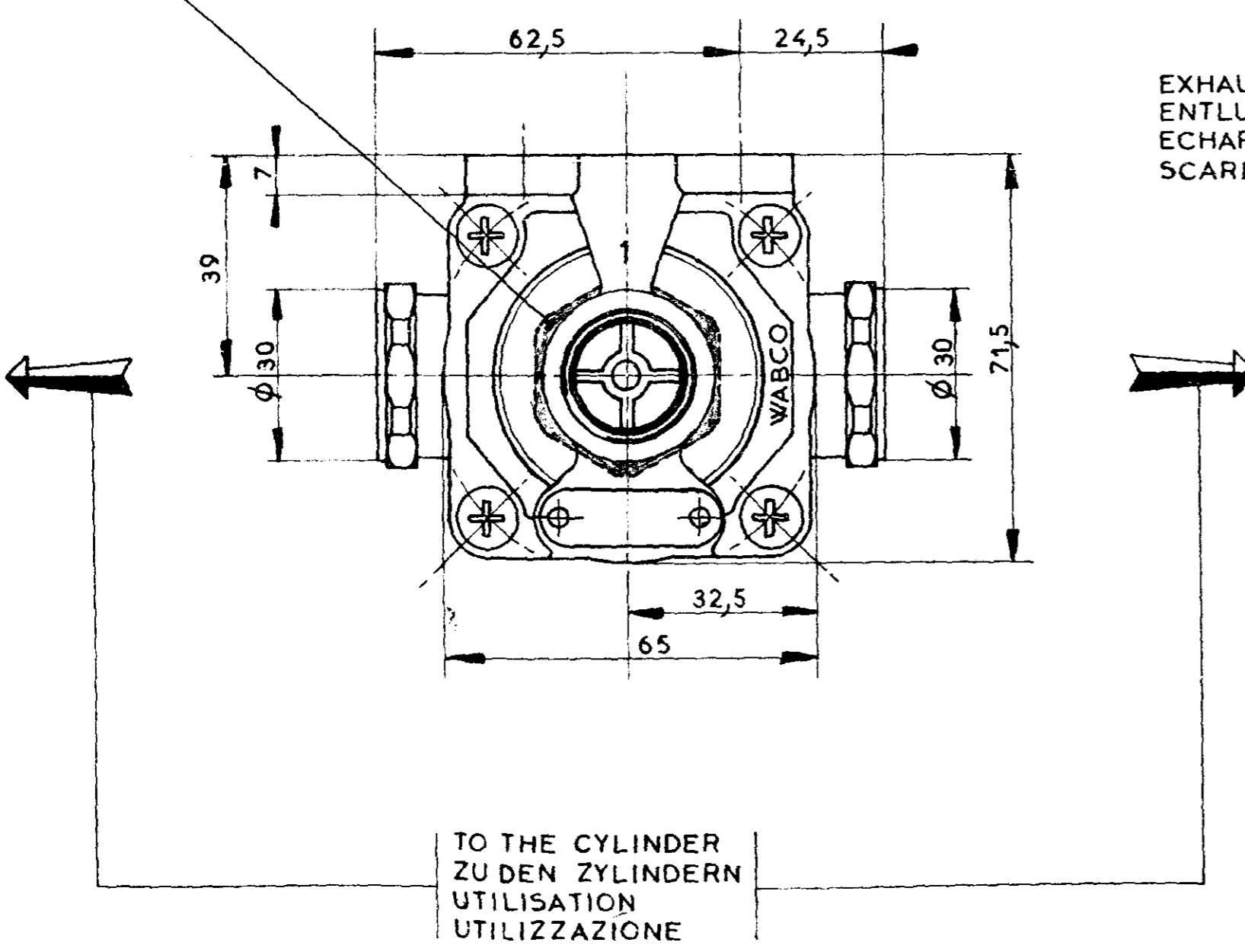
TIRAGE du :

INLET
VOM BREMSVENTIL
ALIMENTATION
ALIMENTAZIONE



PERMITTED SHAPES
ZULÄSSIGE FORMEN
FORMES ADMISES
FORME AMMESSE

EXHAUST
ENTLUEFTUNG
ECHAPPEMENT
SCARICO



TO THE CYLINDER
ZU DEN ZYLINDERN
UTILISATION
UTILIZZAZIONE

FUNCTION OF THE DEVICE ZWECK DES GERÄTES FONCTION DE L'APPAREIL FUNZIONE DELL'APPARECCHIO	QUICK RELEASE VALVE SCHNELL-LOESEVENTIL VALVE DE DESSERRAGE RAPIDE VALVOLA DI SFRENTURA RAPIDO
MEDIUM MEDIUM FLUIDE FLUIDO	AIR LUFT AIR ARIA
MAX FREE PASSAGE MAX FREIER DURCHGANG PASSAGE LIBRE MAXI PASSAGIO LIBERO MASSIMO	$\phi 14 \text{ mm} = 154 \text{ mm}^2$
SERVICE PRESSURE BETRIEBSDRUCK PRESSION DE SERVICE PRESSIONE D'ESERCIZIO	MAXI : 10 bar
ADMISSIBLE TEMPERATURES THERM ANWENDBEREICH TEMPERATURE DE SERVICE TEMPERATURA D'ESERCIZIO	- 40°C + 80°C

GENERAL SPEC ALGEMEINE SPEZ SPEC GENERALES SPEC GENERALI		BLANK NO - RENTELNOMBER NO PIÈCE BRUTE NO PIÈCE GREZZO	
TREATMENT TRATTAMENTO	SURFACE PROTECTION OBERFLÄCHENSCHUTZ PROTECTION PROTEZIONE	MATERIAL MATERIEN MATERIALI MATERIALI	
DATE 84-11-19	SIGNATURE DESRUES	WABCO WESTINGHOUSE	
CHECKED 84-12-06	BION	QUICK RELEASE VALVE SCHNELL-LOESEVENTIL VALVE DE DESSERRAGE RAPIDE VALVOLA DI SFRENTURA RAPIDO	
STANDARDIZATION 84-12-07	184095	IDENTIFICATION CODE	
CHANGE NO	LET	DATE	SHEET 1/1
REPLACEMENT FOR	SITE	TR. 1	73 501 203 0
A 2	210	CODE FOR FUNCTION 531	CODE FOR SHAPE 605

100 mm