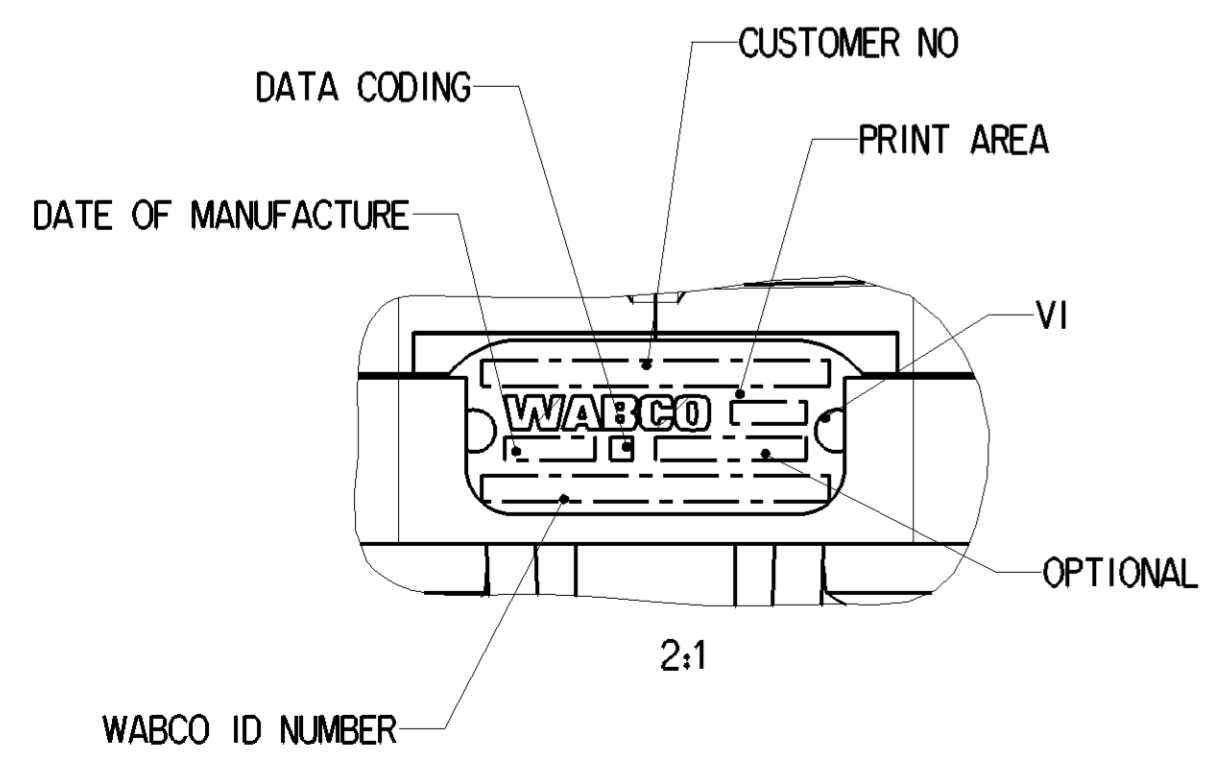
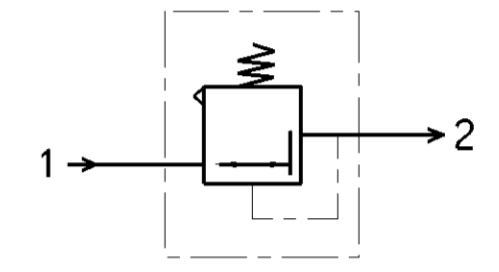
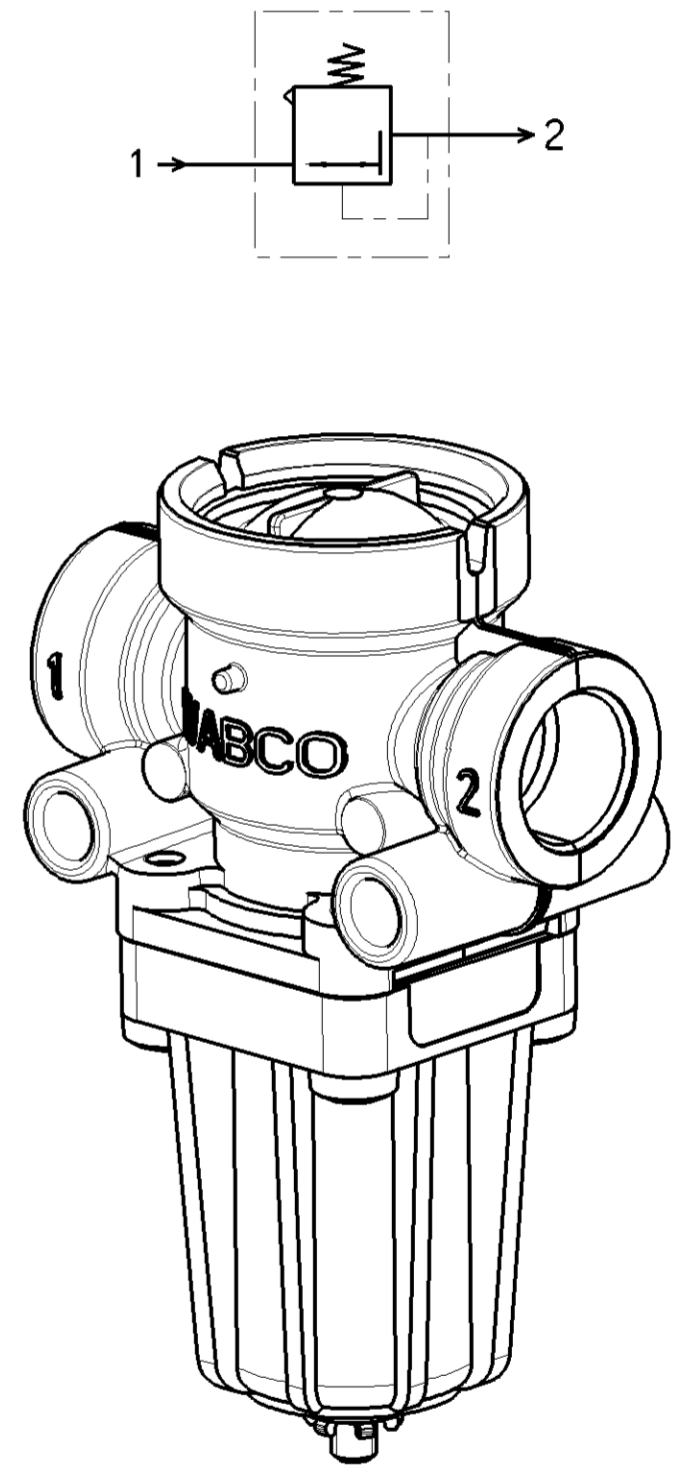
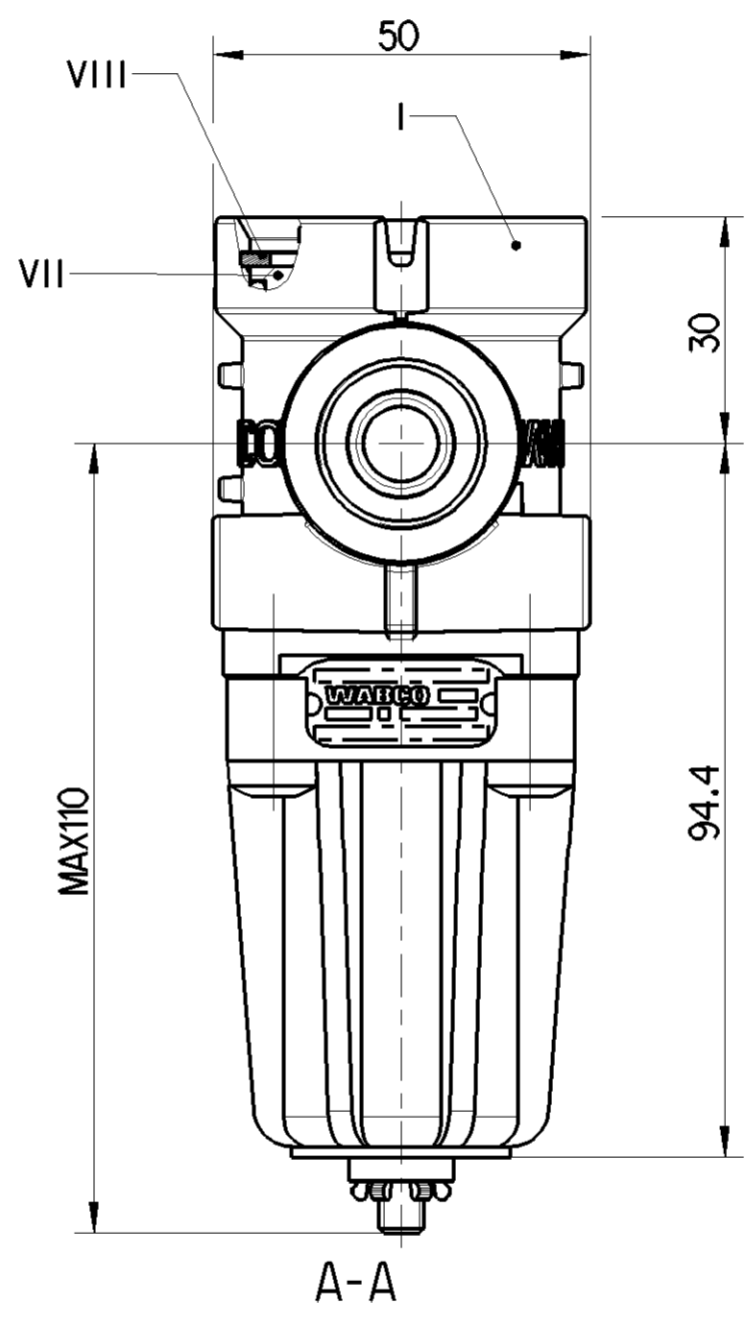
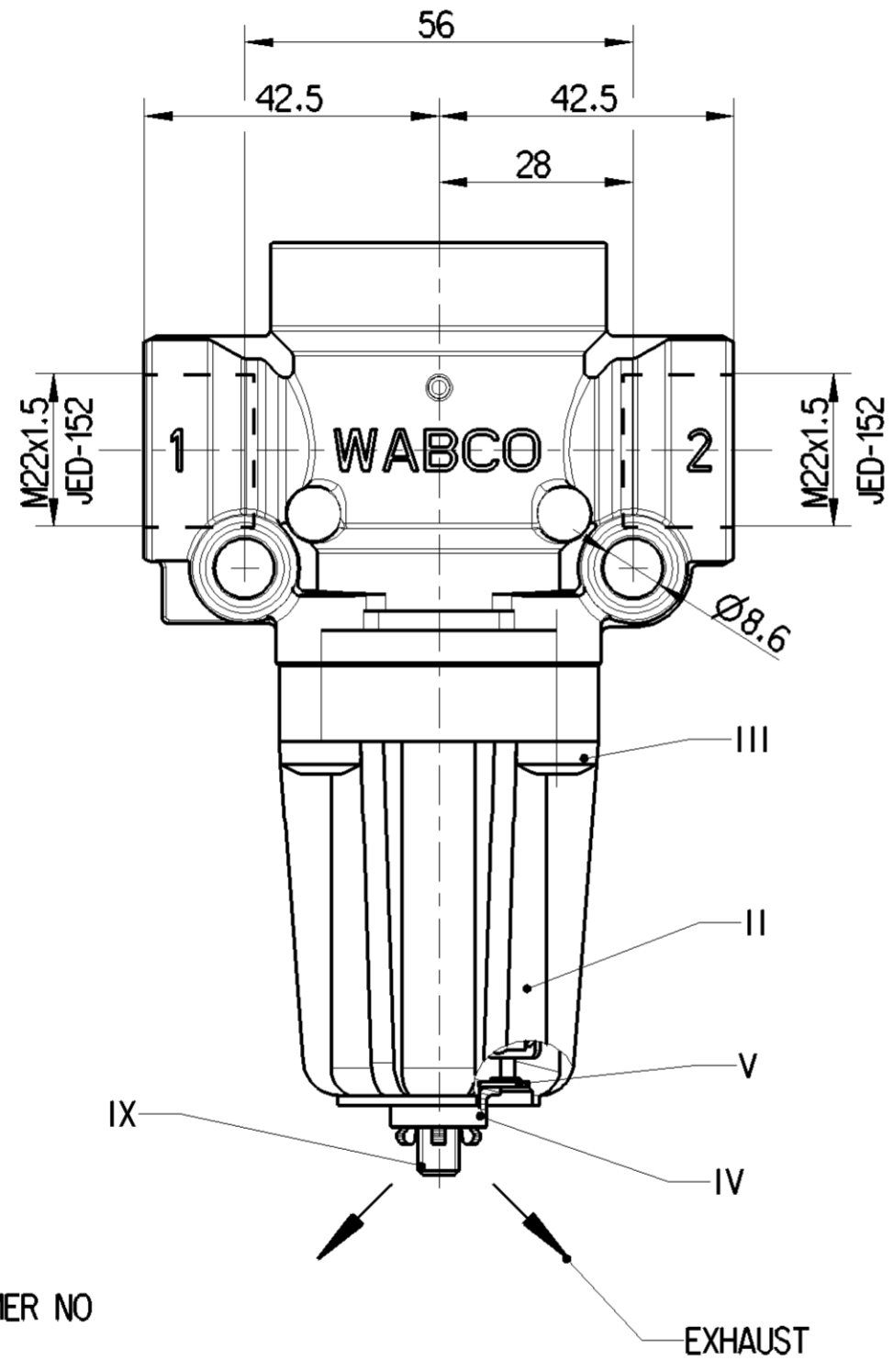


MATERIAL AND SURFACE PROTECTION	
I	JED-029 M1 / C / JED-259-0
II	PBT-GF black JED-352-1
III	JED-051 M4 / JED-739-3
IV	POM BLACK JED-005 M1
V	NBR JED-235
VI	AL JED-077-M1 / JED-007-1
VII	PET-GF black JED-357-1
VIII	JED-048 M1 / phos. / JED-731-6
IX	JED-256-1 / JED-404

MEDIUM: AIR
THERMAL RANGE OF APPLICATION : -40°C ... +80°C
NOMINAL DIAMETER SUPPLY : Ø10 EXHAUST : Ø4
INSTALLATION POSITION AS DRAWN ±45°
INLET PRESSURE p_e max. = 20 bar
TORQUE FOR CONNECTIONS : M22X1,5: Mmax. = 53 Nm
SUPPLY PRESSURE P1 = 9,5 bar
DELIVERY PRESSURE P2 = 5 =0/-0.2 bar
DELIVERY PRESSURE DROP DURING CONSUMPTION $\Delta p \leq 0.4$ bar



IT IS FORBIDDEN TO INSTALL THE PLV IF IT HAS UNDERGONE A SHOCK BEFORE

General Specification: JED-334-1, Size ISO 14405 LP	
Further Technical Data:	
Doc. Code:	Sheet: To
General Tolerances JED-261	
Range of Nominal Dimensions (± mm)	
Class 1)	≤ 50 > 50 > 180 > 400 > 400
Fine	0.5 1.0 1.5 2.0
Medium	1.0 2.0 3.0 4.0
Coarse	2.0 3.5 5.0 6.5
Tapped Holes acc.	
1) Tolerance Class Applied Crossmarked	

Copyright WABCO®	
Date	Signature
2019-02-26	Stasiak
2019-02-27	Toma
Expert	
A. Longo	
Mass	Scale
0.384	1:1 (2:1)
KG	
Size	CAD System
A 2	CREO

WABCO	
PRESSURE LIMITING VALVE	
Material No. 475 010 306 0	
Date of first issue: 2019-02-27	
Doc. Code	Language
005	EN
Sheet	1/1
ECN-No.	Revision
-	-
Techn. Resp.	5160
Replacement for	
475 010 399 0	

Non e' permesso copiare, o terzi o riprodurre questo documento, ne utilizzare il contenuto o renderlo comunque noto o terzi senza autorizzazione esplicita. Ogni infrazione costituisce un evidente abuso e comportera il risarcimento dei danni subiti. E' fatta riserva di tutti i diritti derivanti da brevetti o modelli.

Tous droits de propriete industrielle reserves, notamment en matiere de brevets et de modeles. Toute communication ou reproduction de ce document, toute exploitation ou communication de son contenu sont interdites, sauf autorisation expresse. Tout manquement a cette regle constitue un abus evident et expose son auteur au versement de dommages et interets. Alle Rechte fuer den Fall der Patenterteilung oder Gebrauchsmuster-Eintragung vorbehalten.

Copying of this document and giving it to others and the use or communication of the contents thereof, are forbidden without express authority. Contravention of this restriction will constitute an evident abuse and result in a liability to the payment of damages. All rights are reserved in the event of the grant of patent or registration of a utility model or design. This document is the subject of copyright.

Non e' permesso copiare, o terzi o riprodurre questo documento, ne utilizzare il contenuto o renderlo comunque noto o terzi senza autorizzazione esplicita. Ogni infrazione costituisce un evidente abuso e comportera il risarcimento dei danni subiti. E' fatta riserva di tutti i diritti derivanti da brevetti o modelli.

Tous droits de propriete industrielle reserves, notamment en matiere de brevets et de modeles. Toute communication ou reproduction de ce document, toute exploitation ou communication de son contenu sont interdites, sauf autorisation expresse. Tout manquement a cette regle constitue un abus evident et expose son auteur au versement de dommages et interets. Alle Rechte fuer den Fall der Patenterteilung oder Gebrauchsmuster-Eintragung vorbehalten.