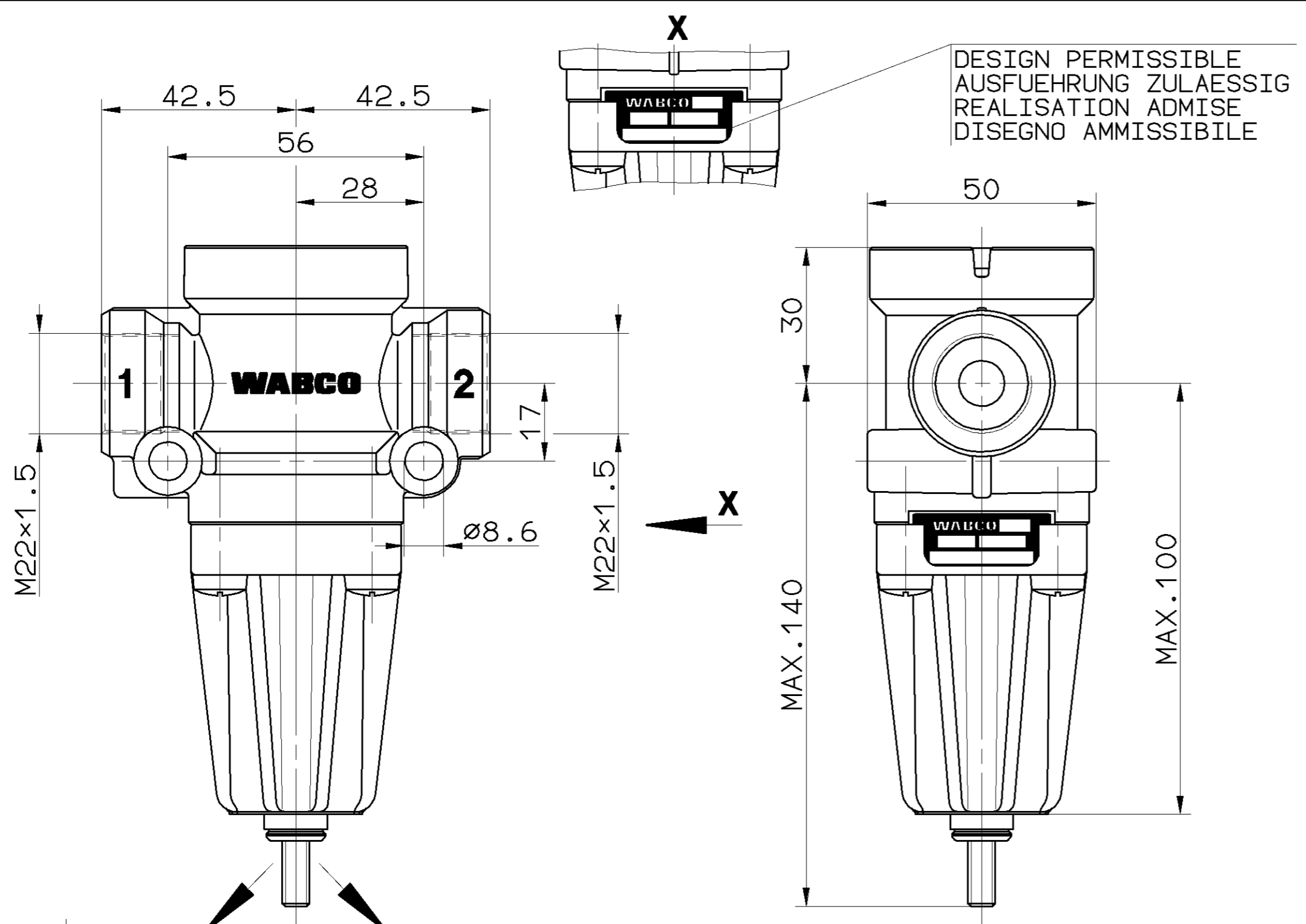


NON È PERMESSO CONSERVARE A TERZI O RIPRODURRE QUESTO DOCUMENTO. NE UTILIZZARE IL CONTENUTO O RES-
 ABBANDONARE IL DIRITTO DI PROPRIETÀ IN TUTTI I DIRITTI DERIVANTI DA
 BREVETTI O MODELLI.
 COPIING OF THIS DOCUMENT AND GIVING IT TO OTHERS AND THE USE OF COMMUNICATION OF THE CONTENTS THEREOF,
 ABANDONING THE RIGHT OF PROPRIETY IN ALL RIGHTS DERIVING FROM PATENT RIGHTS AND PATENT RIGHTS IN THE FIELD OF THE
 INVENTION AND THE USE OF COMMUNICATION OF THE CONTENTS THEREOF.
 REPRODUCTION OF THIS DOCUMENT AND GIVING IT TO OTHERS AND THE USE OF COMMUNICATION OF THE CONTENTS THEREOF,
 ABANDONING THE RIGHT OF PROPRIETY IN ALL RIGHTS DERIVING FROM PATENT RIGHTS AND PATENT RIGHTS IN THE FIELD OF THE
 INVENTION AND THE USE OF COMMUNICATION OF THE CONTENTS THEREOF.
 REPRODUCTION OF THIS DOCUMENT AND GIVING IT TO OTHERS AND THE USE OF COMMUNICATION OF THE CONTENTS THEREOF,
 ABANDONING THE RIGHT OF PROPRIETY IN ALL RIGHTS DERIVING FROM PATENT RIGHTS AND PATENT RIGHTS IN THE FIELD OF THE
 INVENTION AND THE USE OF COMMUNICATION OF THE CONTENTS THEREOF.



WORKING PRESSURE :
 BETRIEBSDRUCK : $p_{e \max.} = 20 \text{ bar}$
 PRESSION D'UTILISATION :
 PRESSIONE DI ESERCIZIO :

MEDIUM: AIR
 MEDIUM: LUFT
 FLUIDE: AIR
 FLUIDO: ARIA

THERMAL RANGE OF APPLICATION:
 THERMISCHER ANWENDUNGSBEREICH: $-40^\circ \dots +80^\circ \text{ C}$
 GAMME D'APPLICATION THERMIQUE:
 CAMPO DI APPLICAZIONE TERMICA:

NOMINAL DIAMETER SUPPLY: EXHAUST:
 NENNWEITE BELUEFTUNG: ENTLUEFTUNG:
 DIAMETRE NOMINAL ALIMENTATION: $\varnothing 10$ ECHAPPEMENT: $\varnothing 4$
 DIAMETRO NOMINALE ALIMENTAZIONE: SCARICO:

INSTALLATION POSITION AS DRAWN
 EINBAULAGE WIE GEZEICHNET $\pm 45^\circ$ PROTECTED GESCHUETZT $\pm 90^\circ$
 POSITION D'INSTALLATION SUIVANT DESSIN PROTEGES
 POSIZIONE DI MONTAGGIO COME DISEGNATO PROTETTI

1 = INLET PRESSURE
 EINGESTEUERTER DRUCK
 PRESSION D'ALIMENTATION
 PRESSIONE DI ALIMENTAZIONE

2 = DELIVERY PRESSURE
 AUSGESTEUERTER DRUCK
 PRESSION DELIVREE
 PRESSIONE EROGATA

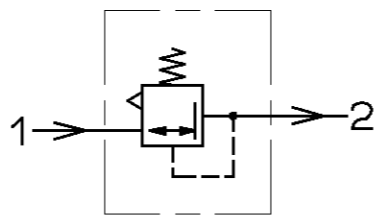
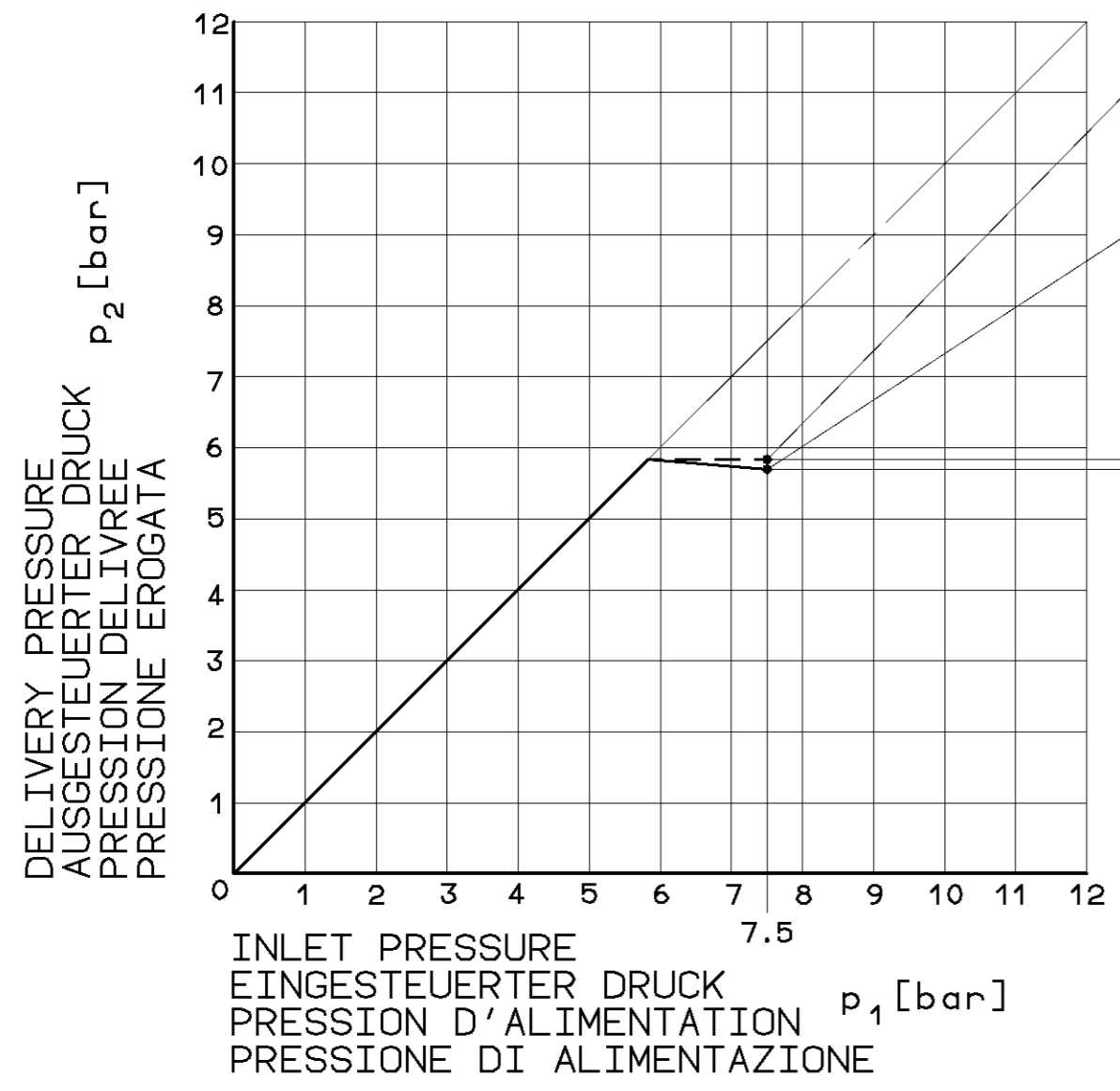
TORQUE FOR CONNECTIONS:
 ANZUGSMOMENT FUER EINSCHRAUBSTUTZEN: $M_{22 \times 1.5}: M_{\max.} = 53 \text{ Nm}$
 COUPLE DE SERRAGE DES RACCORDS:
 COPPIA DI SERRAGGIO DEI RACCORDI:

RANGE OF ADJUSTMENT :
 EINSTELLBEREICH : $p_2 = 3.5 \text{ bar} - 8 \text{ bar}$
 GAMME DE REGLAGE :
 CAMPO DI REGOLAZIONE:

EXHAUST
 ENTLUEFTUNG
 ECHAPPEMENT
 SCARICO

PRESSURE LIMITATION BY FIRST DELIVERY
 DRUCKBEGRENZUNG BEIM ERSTEN AUFFUELLEN
 LIMITATION PENDANT UNE PREMIERE REMPLISSAGE
 LIMITAZIONE COL PRIMO RIEMPRIMENTO

PRESSURE LIMITATION AFTER CONSUMPTION
 DRUCKBEGRENZUNG NACH VERBRAUCH
 LIMITATION APRES CONSOMMATION
 LIMITAZIONE DOPPO CONSUMO



GENERAL SPECIFICATION: JED-334		CADAM-DRAWING COPYRIGHT		WABCO	
FURTHER TECHNICAL DATA:		DATE: _____ SIGNATURE: _____		DRAWN: MAURER/LIPPELT	
DOC. CODE: _____ SHEET: _____ TO: _____		CHECKED: DEIKE		94-06-27 MAURER/LIPPELT	
GENERAL TOLERANCES		STANDARDIZATION: THIELE		94-06-27 DEIKE	
RANGE OF NOMINAL DIMENSIONS (± mm)		PRODUCT IDENTIFICATION NO.		475 010 309 0	
CLASS 1)	≤50	>50 ≤180	≤180 ≤400	>400	± 3°
FINE	0,5	1,0	1,5	2,0	
MEDIUM	1,0	2,0	3,0	4,0	
COARSE	2,0	3,5	5,0	6,5	
TAPPED HOLES ACC. ISO 4039 / JED-182		MASS: 0.37 KG		SCALE: 1:1	
1) TOLERANCE CLASS APPLIED CROSSMARKED		SIZE: A 2		T.R.I.: 140	
DCN-NO. _____ REV. _____ DATE _____		SHAPE CODE		REPLACEMENT FOR	
		EXPERT CODE 743		PRODUCT TYPE 00X	

1899/012/204_93 605/653