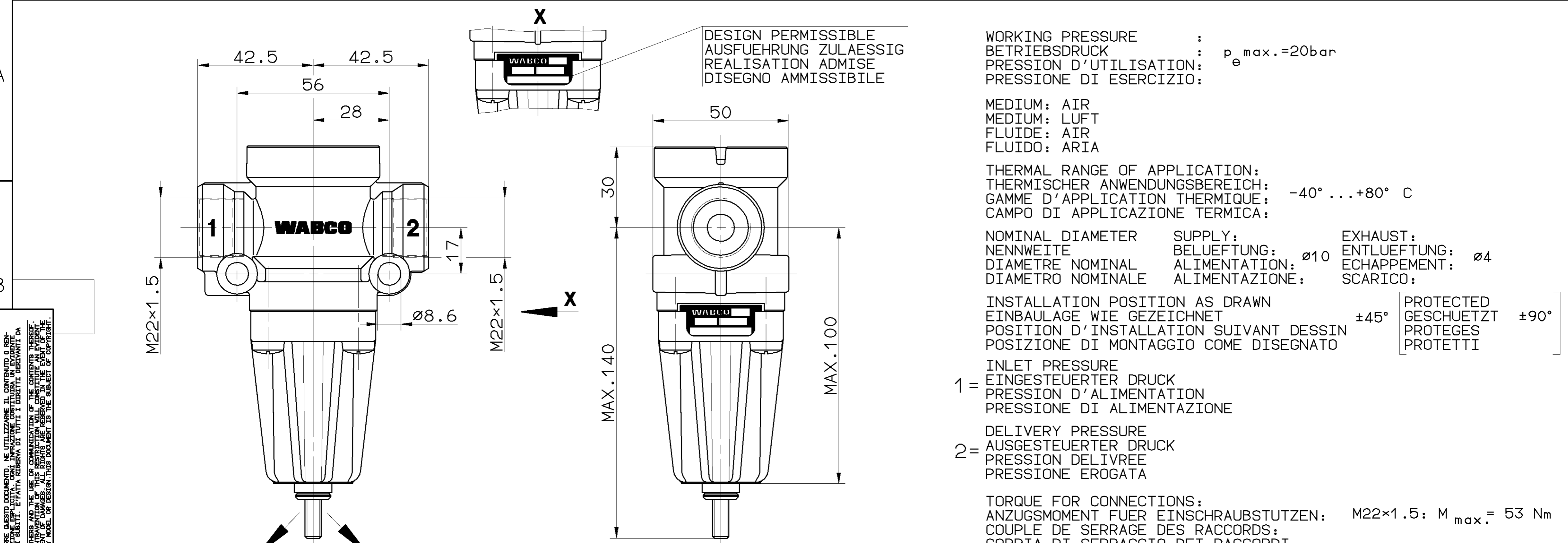
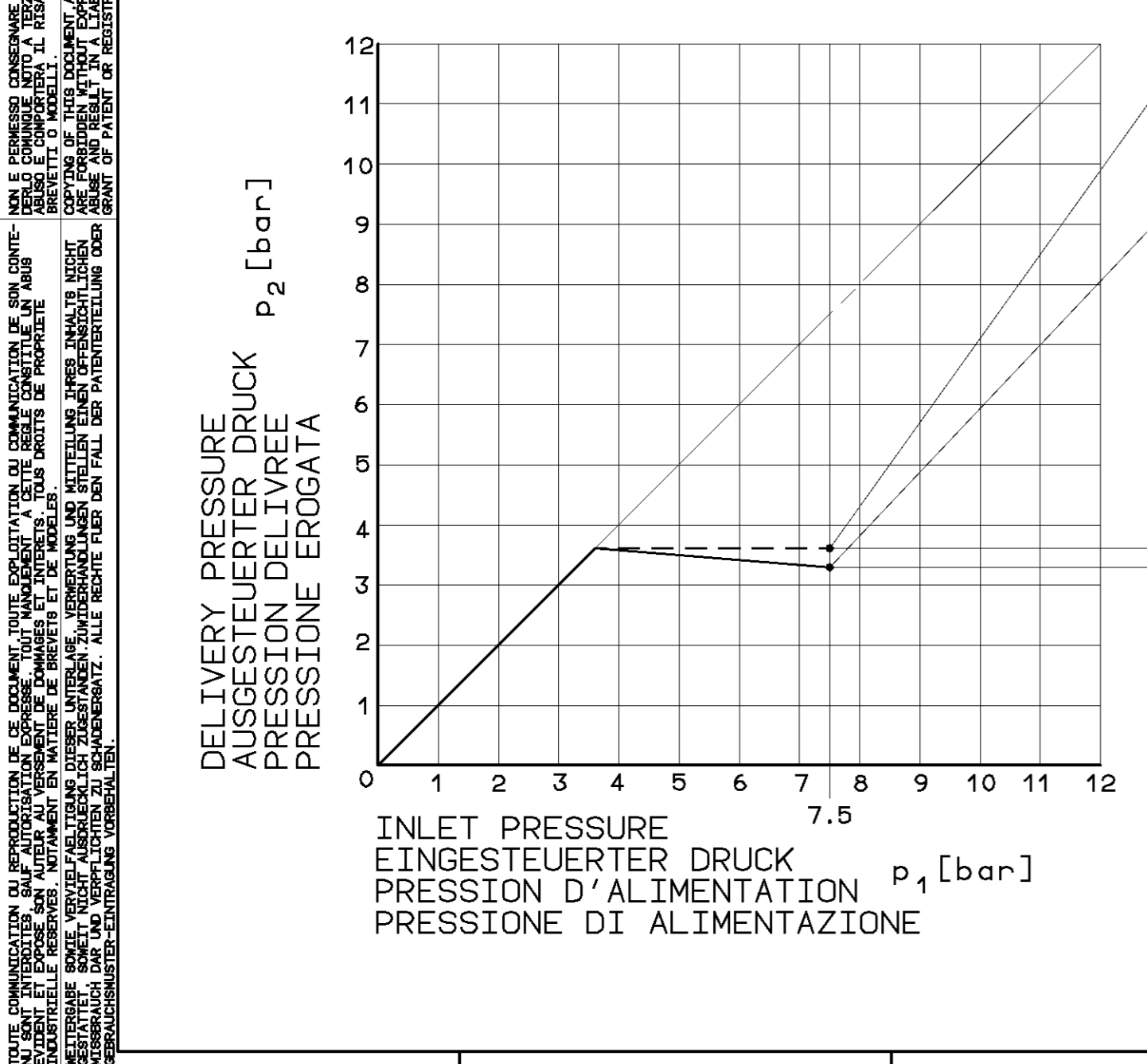


NON È PERMESSO CONSERVARE A TERZI O RIPRODURRE QUESTO DOCUMENTO. NE UTILIZZARE IL CONTENUTO O RES-
 ABBANDONARE I DIRITTI DI PROPRIETÀ INVIOLATA. TUTTI I DIRITTI RISERVATI. E' FATTA RISERVA SU TUTTI I DIRITTI RISERVATI DA
 BREVETTI O MODELLI.
 COPIING OF THIS DOCUMENT AND GIVING IT TO OTHERS AND THE USE OF COMMUNICATION OF THE CONTENTS THEREOF,
 WITHOUT THE WRITTEN PERMISSION OF THE MANUFACTURER, IS PROHIBITED. ALL RIGHTS ARE RESERVED IN THE EVENT OF THE
 MISBRACH OR UNLAWFUL REPRODUCTION OF THIS DOCUMENT. THIS DOCUMENT IS THE SUBJECT OF COPYRIGHT.
 GRANT OF PATENT OR REGISTRATION OF A UTILITY MODEL OR DESIGN.

1 2 3 4 5 6 7 8

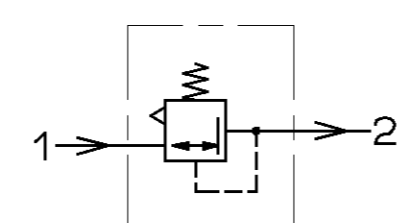


EXHAUST
 ENTLUEFTUNG
 ECHAPPEMENT
 SCARICO



PRESSURE LIMITATION BY FIRST DELIVERY
 DRUCKBEGRENZUNG BEIM ERSTEN AUFFUELLEN
 LIMITATION PENDANT UNE PREMIERE REMPLISSAGE
 LIMITAZIONE COL PRIMO RIEMPRIMENTO

PRESSURE LIMITATION AFTER CONSUMPTION
 DRUCKBEGRENZUNG NACH VERBRAUCH
 LIMITATION APRES CONSOMMATION
 LIMITAZIONE DOPPO CONSUMO



GENERAL SPECIFICATION: JED-334		CADAM-DRAWING COPYRIGHT		WABCO	
FURTHER TECHNICAL DATA:		DATE: _____ SIGNATURE: _____		DRAWN: MAURER/LIPPELT	
DOC. CODE: _____ SHEET: _____ TO: _____		CHECKED: DEIKE		94-06-27 MAURER/LIPPELT	
GENERAL TOLERANCES		STANDARDIZATION: THIELE		94-06-27 DEIKE	
RANGE OF NOMINAL DIMENSIONS (± mm)		MASS: 0.37 KG		SCALE: 1:1	
CLASS 1)	≤50 >50 ≤180 >180 ≤400 >400	PRODUCT IDENTIFICATION NO. 475 010 313 0		DOC. CODE: 605	
FINE	0,5 1,0 1,5 2,0	SIZE: A 2		SHEET: 1/1	
MEDIUM	1,0 2,0 3,0 4,0	TAPPED HOLES ACC. ISO 4039 / JED-182		REPLACEMENT FOR: _____	
COARSE	2,0 3,5 5,0 6,5	1) TOLERANCE CLASS APPLIED CROSSMARKED		SHAPE CODE: _____	
TAPPED HOLES ACC. ISO 4039 / JED-182		DCN-NO. REV. DATE		EXPERT CODE: 743	
1) TOLERANCE CLASS APPLIED CROSSMARKED		100mm		PRODUCT TYPE: 00X	

1 2 3 4 5