

THERMAL RANGE OF APPLICATION
 THERMISCHER ANWENDUNGSBEREICH -40°C ... +80°C
 GAMME D'APPLICATION THERMIQUE
 CAMPO DI APPLICAZIONE TERMICA

TORQUE FOR CONNECTIONS
 ANZUGSMOMENT FÜR EINSCHRAUBSTUTZEN 38.5 Nm MAX
 COUPLE DE SERRAGE DES RACCORDS
 COPPIA DI SERRAGGIO DEI RACCORDI

① INLET (HIGH PRESSURE)
 VORRAT (HOCHDRUCK)
 ALIMENTATION (HAUTE PRESSION)
 ALIMENTAZIONE (ALTA PRESSIONE)

② DELIVERY (LOW PRESSURE)
 AUSGESTEURTE LUFT (NIEDERDRUCK)
 UTILISATION (BASSE PRESSION)
 UTILIZZAZIONE (BASSA PRESSIONE)

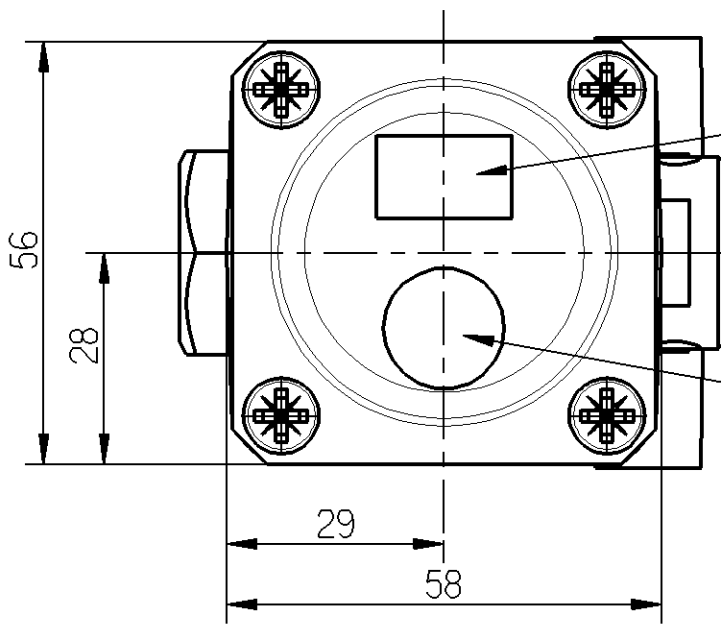
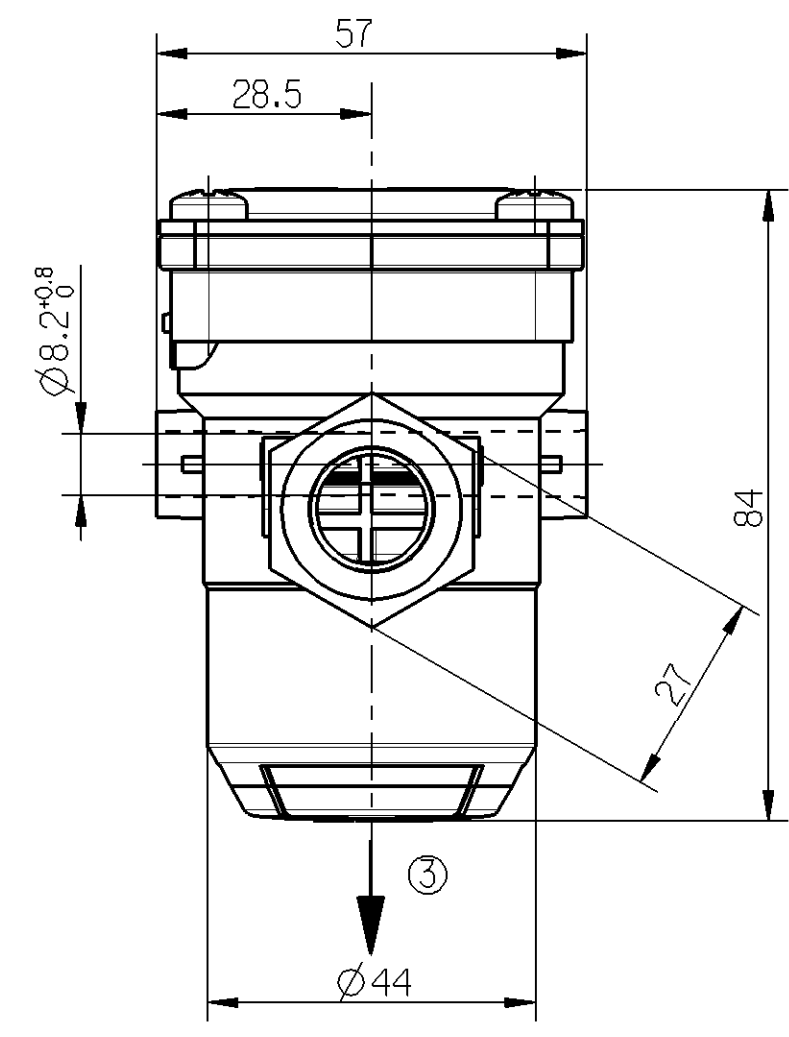
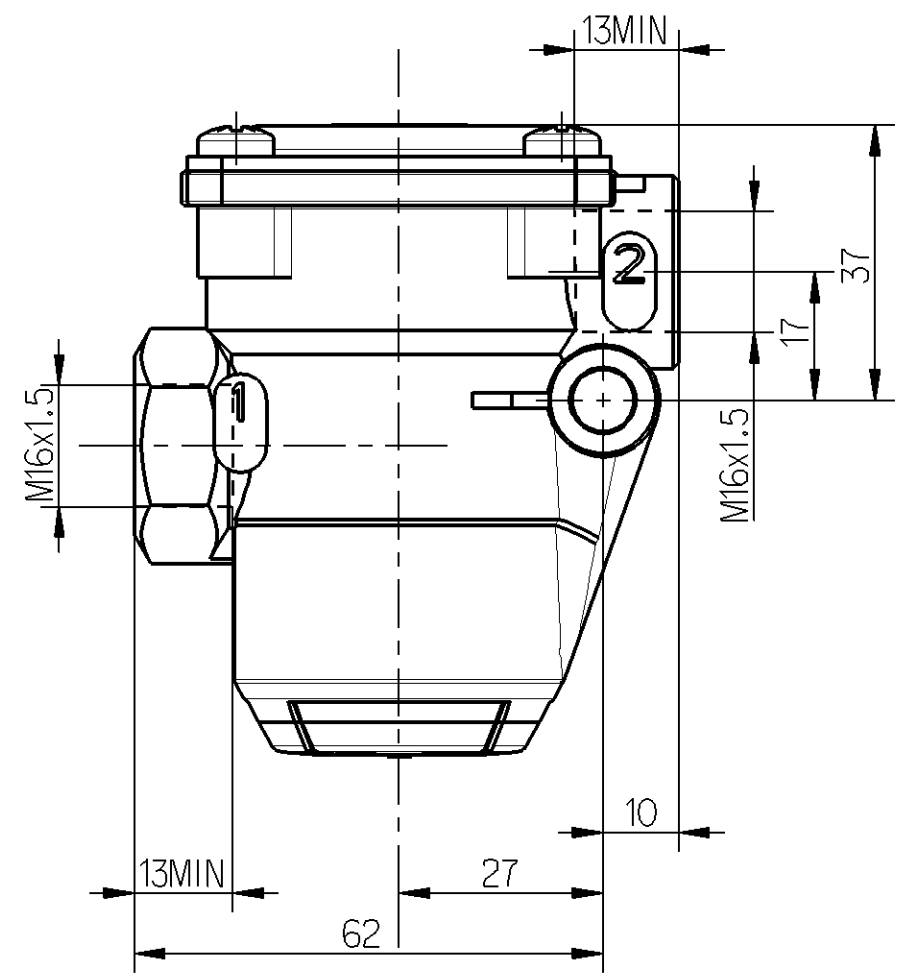
③ EXHAUST
 ENTLUEFTUNG
 ECHAPPEMENT
 SCARICO

DELIVERY PRESSURE
 AUGESTFUERTER DRUCK P2 = 7.5±0.2 bar FOR FUER P1 = 11 bar
 PRESSION D'UTILISATION POUR
 PRESSIONE D'UTILIZZAZIONE PER

OPENING OF SAFETY VALVE
 OFFNUNG DES SICHERHEITSVENTILS P2±2.5 bar (MAX)
 OUVERTURE DE LA SOUPEPE DE SECURITE
 APERTURA DELLA VALVOLA DI SICUREZZA

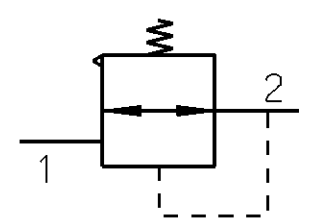
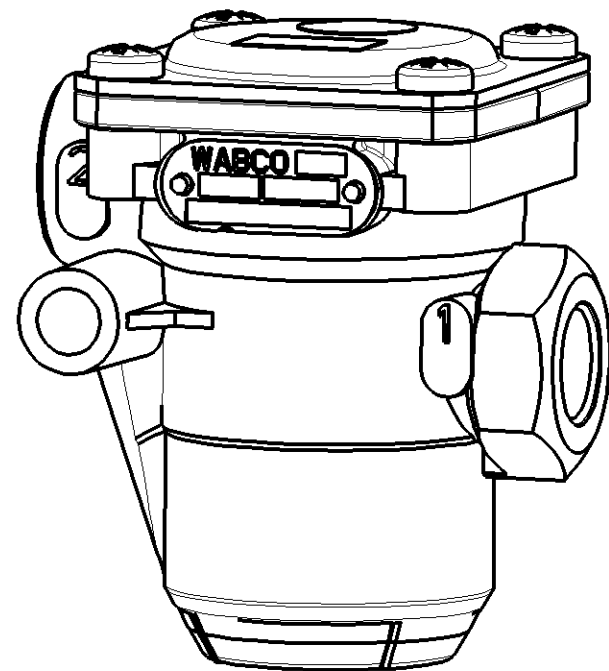
NOMINAL DIAMETER MIN.
 MIN FREIER DURCHGANG 10 mm (78.5 mm²)
 DIAMETRE NOMINAL MIN.
 DIAMETRO NOMINALE MIN.

MEDIUM AIR
 MEDIUM LUFT
 FLUIDE AIR
 FLUIDO ARIA



MARKING :
 MARKIERUNG : P2
 MARQUAGE :
 MARCATURA :

COLOUR : BLACK
 FARBE : SCHWARTZ
 COULEUR : NOIR
 COLORE : NERO



INLET
 VORRAT
 ALIMENTATION
 ALIMENTAZIONE

P1 MAX = 14 bar

P1 MAX = 10 bar

IF FALLS P1
 SI SE P1
 IF FALLS P1
 SI SE P1

CONSTANTE UNVERÄNDERLICH
 CONSTANTE INVARIABLE
 VARIABLE VERÄNDERLICH
 VARIABLE VARIABILE

General Specification: JED-334-0				Copyright WABCO®	
Further Technical Data:				Date	Signature
Doc. Code:		Sheet: To		2006-04-28	MOLYN
General Tolerances JED-261				Checked	2006-05-18
Range of Nominal Dimensions (± mm)				Expert	Sutor
Class 1)	≤ 50	> 50 ≤ 180	> 180 ≤ 400	> 400	±3°
Fine	0.5	1.0	1.5	2.0	
Medium	1.0	2.0	3.0	4.0	
Coarse	X 2.0	3.5	5.0	6.5	
Tapped Holes acc. JED-152					
1) Tolerance Class Applied Crossmarked					

WABCO				WABCO Id. No.: 4750150310	
PRESSURE LIMITING VALVE				Doc.Code	Language
DRUCKBEGRENZUNGSVENTIL				605	en/de
VALVE DE LIMITATION DE PRESSION				fr/it	1/1
VALVOLA LIMITATION DI PRESSIONE				Material No.	475 015 031 0
Mass	Scale	Material No.		WABCO Id. No.:	4750150310
0.4 KG	1:1	475 015 031 0		Doc.Code	Language
Size	TR1	Function Code		CAD System	Prod.Type
A 2	530	Pro/E		Replacement for	

110170	F	30-06-06
070441	9xE	10-06-06
068488	D	09-05-06
DCN-No.	Rev.	Date
State of Revision		

Toute communication ou reproduction de ce document, toute exploitation ou communication de son contenu sont interdites, sauf autorisation expresse. Tout manquement à cette règle constitue un abus évident et expose son auteur au versement de dommages et intérêts. Tous droits de propriété intellectuelle réservés, notamment en matière de brevets et de modèles.
 Verfügung dieser Unterlagen, Verwertung und Mitteilung ihres Inhalts nicht ausdrücklich zugestanden. Zuwiderhandlungen stellen einen offenkundigen Missbrauch dar und verpflichten zu Schadenersatz. Alle Rechte für den Fall der Patentierung oder Gebrauchsmuster-Eintragung vorbehalten.
 Non è permesso copiare o terzi o riprodurre questo documento, né utilizzare il contenuto o renderlo comunque noto a terzi senza permesso scritto dalla WABCO. Qualsiasi violazione di questa regola costituisce un abuso e comporta il risarcimento dei danni subiti. E' fatto riserva di tutti i diritti riservati.
 Copying of this document and giving it to others and the use or communication of the contents thereof, are forbidden without express permission in writing from WABCO. Any infringement of this rule constitutes an obvious abuse and entails the payment of damages. All rights are reserved in the event of the grant of patent or registration of a utility model or design. This document is the subject of copyright.
 E' fatto riserva di tutti i diritti riservati.