

THERMAL RANGE OF APPLICATION  
THERMISCHER ANWENDUNGSBEREICH - 40°C ... +80°C  
GAMME D'APPLICATION THERMIQUE  
CAMPO DI APPLICAZIONE TERMICA

TORQUE FOR CONNECTIONS  
ANZUGSMOMENT FÜR EINSCHRAUBSTUTZEN 38.5 Nm MAX.  
COUPLE DE SERRAGE DES RACCORDS  
COPPIA DI SERRAGGIO DEI RACCORDI

① INLET (HIGH PRESSURE)  
VORRAT (HOCHDRUCK)  
ALIMENTATION (HAUTE PRESSION)  
ALIMENTAZIONE (ALTA PRESSIONE)

② DELIVERY (LOW PRESSURE)  
AUSGESTEUERTE LUFT (NIEDERDRUCK)  
UTILISATION (BASSE PRESSION)  
UTILIZZAZIONE (BASSA PRESSIONE)

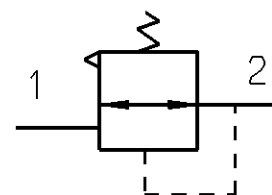
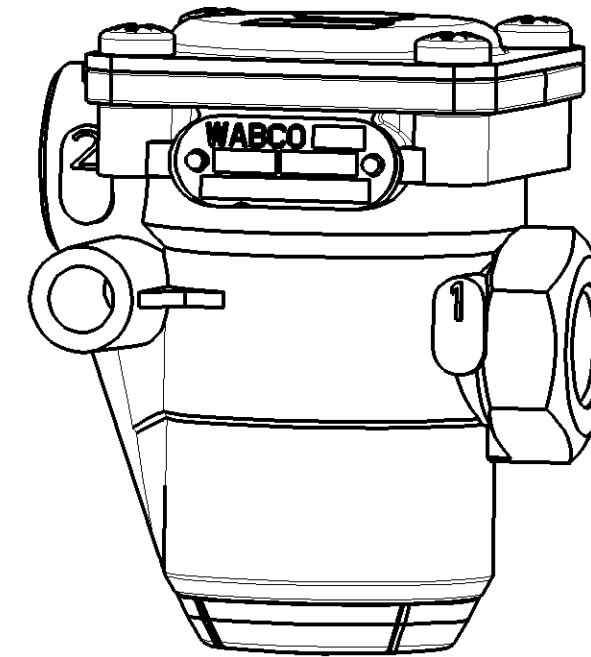
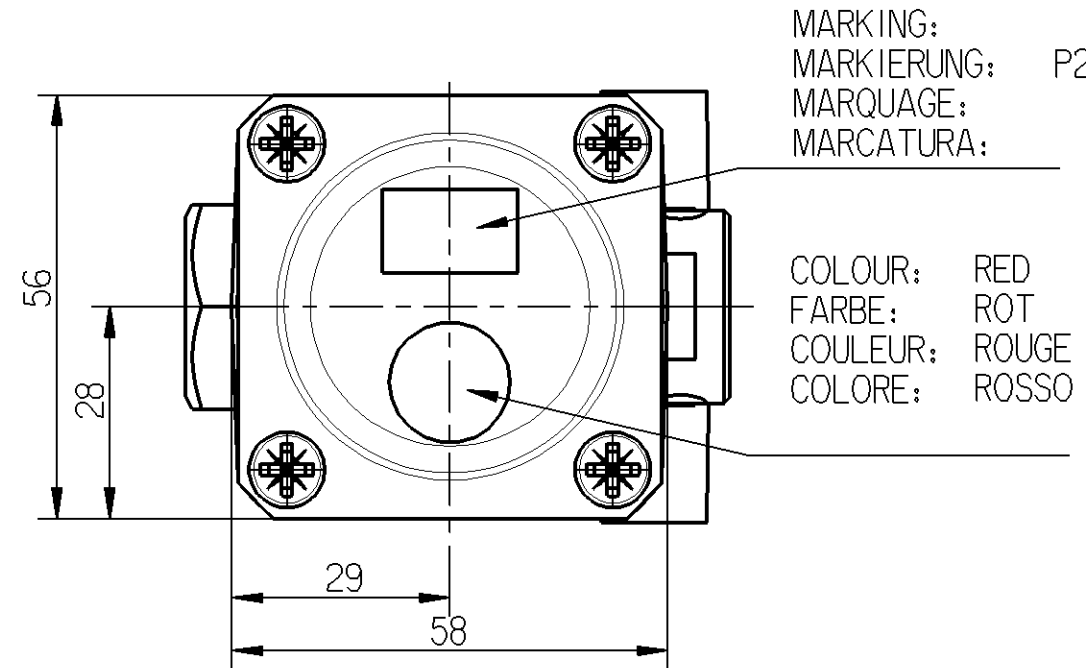
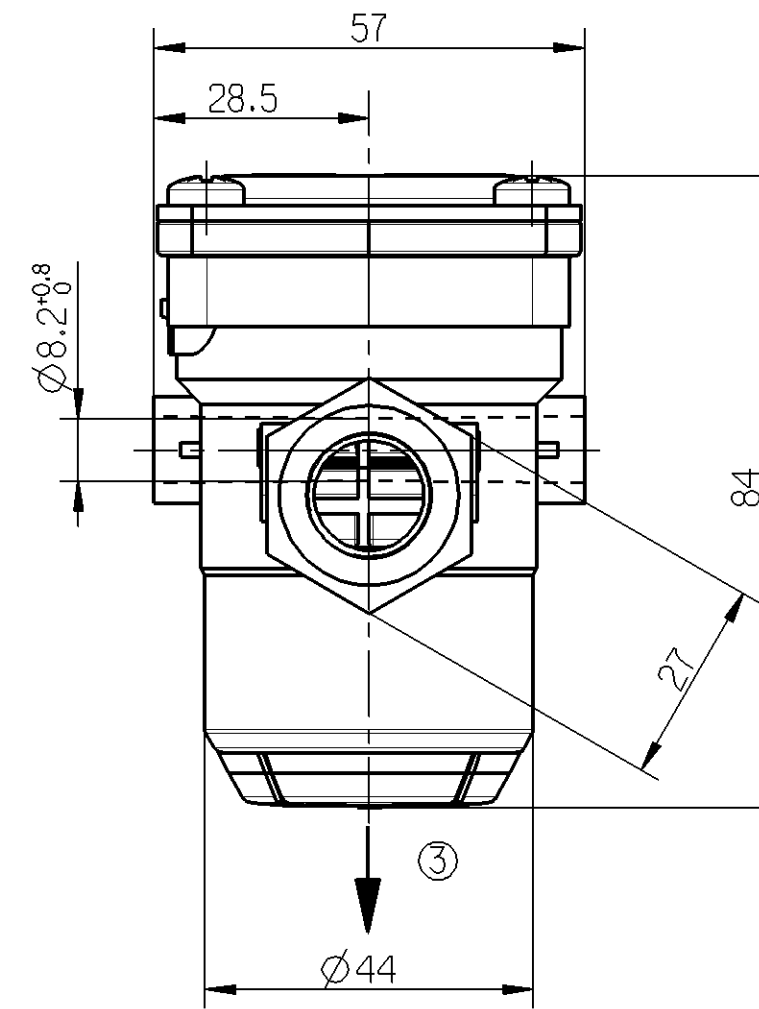
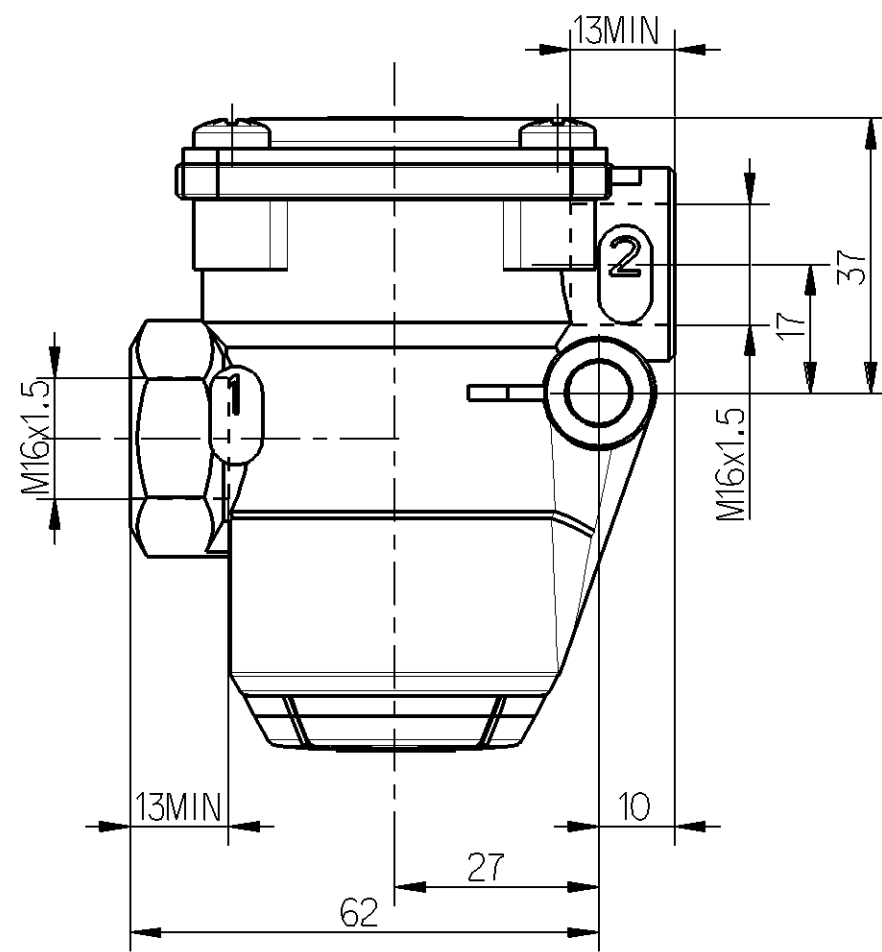
③ EXHAUST  
ENTLUEFTUNG  
ECHAPPEMENT  
SCARICO

DELIVERY PRESSURE FOR  
AUGESTFUERTER DRUCK FUER P1 = 12.5 bar  
PRESSION D'UTILISATION P2 = 11±0.2 bar  
PRESSIONE D'UTILIZZAZIONE POUER  
PER

OPENING OF SAFETY VALVE  
OEFFNUGS DES SICHERHEITSVENTILS P2 + 3 bar (MAX)  
OUVERTURE DE LA SOUPEPE DE SECURITE  
APERTURA DELLA VALVOLA DI SICUREZZA

NOMINAL DIAMETER MIN.  
MIN FREIER DURCHGANG 10 mm (78.5 mm<sup>2</sup>)  
DIAMETRE NOMINAL MIN.  
DIAMETRO NOMINALE MIN.

MEDIUM AIR  
MEDIUM LUFT  
FLUIDE AIR  
FLUIDO ARIA



INLET  
VORRAT  
ALIMENTATION  
ALIMENTAZIONE

P1 MAX = 14 bar

IF FALLS P1 CONSTANT  
SI UNVERANDEERLICHT  
SE CONSTANTE  
INVARIABILE

P1 MAX = 10 bar

IF FALLS P1 VARIABLE  
SI VERANDEERLICHT  
SE VARIABLE  
VARIABLE

110170	F	30-06-06	Fine	0.5	1.0	1.5	2.0	±3°
070441	6xE	12-05-06	Medium	1.0	2.0	3.0	4.0	
068488	D	09-05-06	Coarse	X	2.0	3.5	5.0	

General Specification: JED-334-0				Copyright WABCO®	
Further Technical Data:				Date	Signature
Doc. Code:		Sheet:		To	
General Tolerances JED-261					
Range of Nominal Dimensions ( ± mm)					
Class 1)	≤ 50	> 50 ≤ 180	> 180 ≤ 400	> 400	±3°
Fine	0.5	1.0	1.5	2.0	
Medium	1.0	2.0	3.0	4.0	
Coarse	X	2.0	3.5	5.0	6.5
Tapped Holes acc. JED-152					
State of Revision					
1) Tolerance Class Applied Crossmarked					

Date			Signature		
2006-05-05			MOLYN		
Checked			Sutor		
2006-05-18			Expert		
CZAPIEWSKI					
Mass	Scale	Material No.			
0.4	1:1	475 015 032 0			
Size	TR1	Function Code	CAD System	Prod.Type	Replacement for
A 2	530		Pro/E		
WABCO Id. No.: 4750150320		Doc.Code	Language	Sheet	
605		en/de	fr/it	1/1	