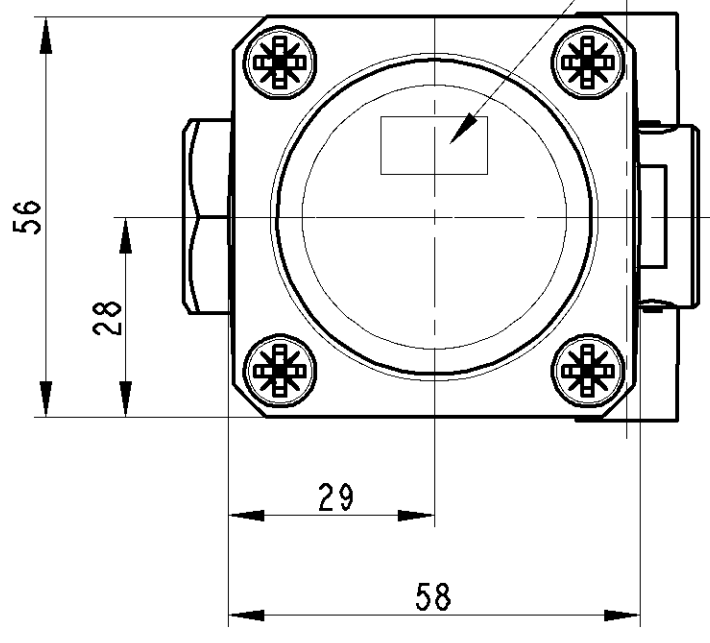
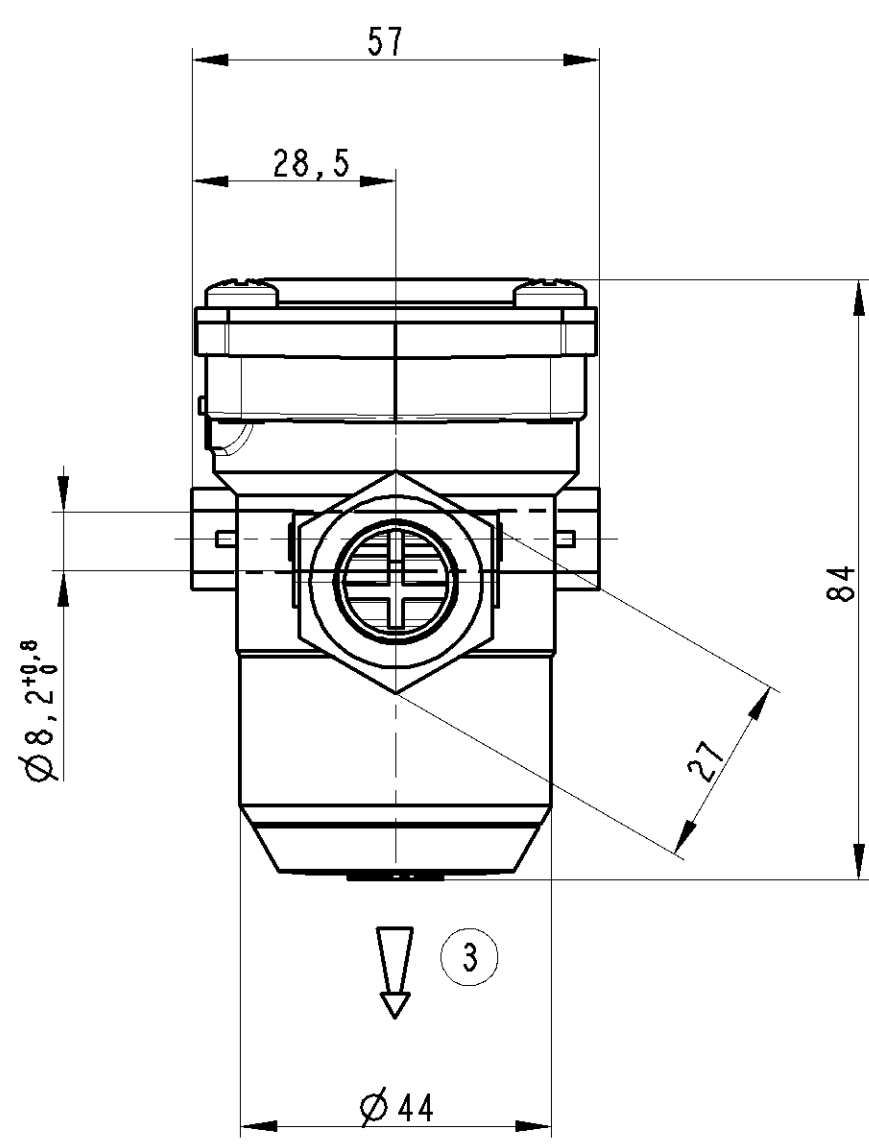
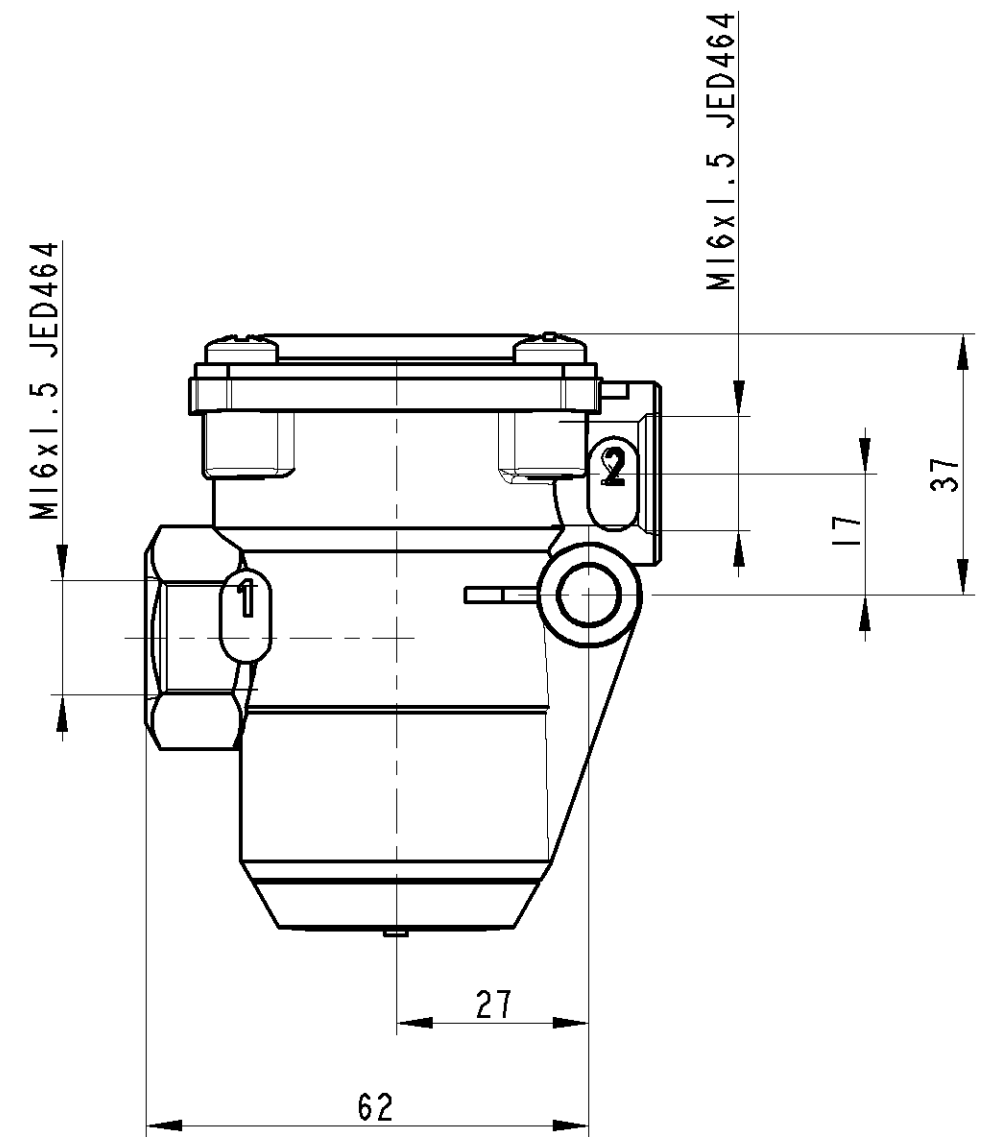


NON È PERMESSO CONSERVARE A TERZI O RIPRODURRE QUESTO DOCUMENTO. NE UTILIZZARE IL CONTENUTO O RENDERSI  
 RESPONSABILI PER QUALSIASI DANNI, INFRAZIONE COSTITUITA UN EVIDENTE ABUSO E  
 COMUNIQUE NOTO A TERZI SENZA AUTORIZZAZIONE ESPlicita. OGNI INFRAZIONE COSTITUISCE UN EVIDENTE ABUSO E  
 DEL DANNI, SUBITI E/FATTA RISERVA DI TUTTI I DIRITTI DERIVANTI DAI BREVETTI E MODELLI.  
 COPIING OF THIS DOCUMENT, AND GIVING IT TO OTHERS AND THE USE OR COMMUNICATION OF THE  
 CONTENTS THEREOF, ARE FORBIDDEN WITHOUT EXPRESS AUTHORITY. CONTRAVENTION OF THIS RESTRICTION WILL  
 ABUSE AND RESULT IN A LIABILITY TO THE PAYMENT OF DAMAGES. ALL RIGHTS ARE  
 RESERVED IN THE EVENT OF THE GRANT OF A PATENT OR THE REGISTRATION OF AN UTILITY MODEL OR DESIGN.  
 THIS DRAWING IS SUBJECT TO COPYRIGHT.



MARKING:  
 MARKIERUNG: P2  
 MARQUAGE:  
 MARCARUTA:

INLET VORRAT ALIMENTAZIONE PI MAXI =20 bar IF FALLS SE PI CONSTANT UNVERÄNDERLICH  
 ALIMENTATION ALIMENTAZIONE PI MAXI =10 bar IF FALLS SE PI VARIABLE VERÄNDERLICH  
 ALIMENTAZIONE ALIMENTAZIONE PI MAXI =10 bar IF FALLS SE PI VARIABLE VERÄNDERLICH

THERMAL RANGE OF APPLICATION THERMISCHER ANWENDUNGSBEREICH GAMME D'APPLICATION THERMIQUE CAMPO DI APPLICAZIONE TERMICA -40°C...+80°C	
TORQUE FOR CONNECTIONS ANZUGSMOMENT FÜR EINSCHRAUBSTUTZEN COUPLE DE SERRAGE DES RACCORDS COPPIA DI SERRAGGIO DEI RACCORDI 34 Nm MAXI	
① INLET VORRAT ALIMENTATION ALIMENTAZIONE	(HIGH PRESSURE) (HOCHDRUCK) (HAUTE PRESSION) (ALTA PRESSIONE)
② DELIVERY AUSGESTEURTE LUFT UTILISATION UTILIZZAZIONE	(LOW PRESSURE) (NIEDERDRUCK) (BASSE PRESSION) (BASSA PRESSIONE)
③ EXHAUST ENTLUEFTUNG ECHAPPEMENT SCARICO	
DELIVERY PRESSURE AUGESTFUERTER DRUCK PRESSION D'UTILISATION PRESSIONE D'UTILIZZAZIONE	FOR FÜR P1=2.8 bar POUR PER P2=1.7±0.2 bar
OPENING OF SAFETY VALVE OEFFNUNG DES SICHERHEITSVENTILS OUVERTURE DE LA SOUPEPE DE SECURITE APERTURA DELLA VALVOLA DI SICUREZZA	P2+1.8 bar (MAXI)
NOMINAL DIAMETER MIN. MIN FREIER DURCHGANG DIAMETRE NOMINAL MIN. DIAMETRO NOMINALE MIN.	10 mm (78.5 mm <sup>2</sup> )
MEDIUM MEDIUM FLUIDE FLUIDO	AIR LUFT AIR ARIA

FURTHER TECHNICAL DATA SEE		L	
IDENTIFICATION NO.:		K	
CODE FOR DOCUMENT: 605 SHEET: TO		J	
GENERAL TOLERANCES		H	
RANGE OF NOMINAL DIMENSIONS (mm)		G	
CLASS	1) ≤50	2) ≤80	3) ≤100
I	0.5	1.0	1.5
II	1.0	2.0	3.0
III	2.0	3.5	5.0
TAPPED HOLES ACC. ISO 4039 / JED-152		F	
1) TOLERANCE CLASS APPLIED CROSSMARKED		E	
DCN-NO. REV. DATE		D	
100mm		C	
EXPERT CODE		B	
TYPE OF PRODUCT		A	

COPYRIGHT DATE SIGNATURE 23-02-98 ROLLAND CHECKED 23-02-98 HAIMART STANDARDIZATION 23-02-98 98043		<b>WABCO</b> PRESSURE LIMITING VALVE DRUCKBEGRENZUNGSVENTIL DECKENDEUR VALVOLA LIMITATRICE D.PRESS.	
MASS 0.4 kg	SCALE 1/1	PRODUCT IDENTIFICATION NO. 475 015 059 0	
SIZE A 2	T.R.I. 210	CODE FOR DOCUMENT 605	SHEET 1/1
CODE F.PROD.-GROUP CODE FOR SHAPE		REPLACEMENT FOR	