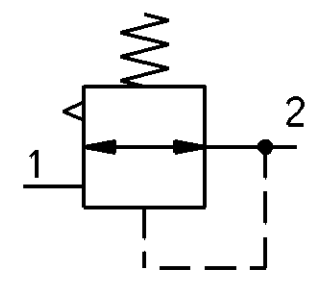
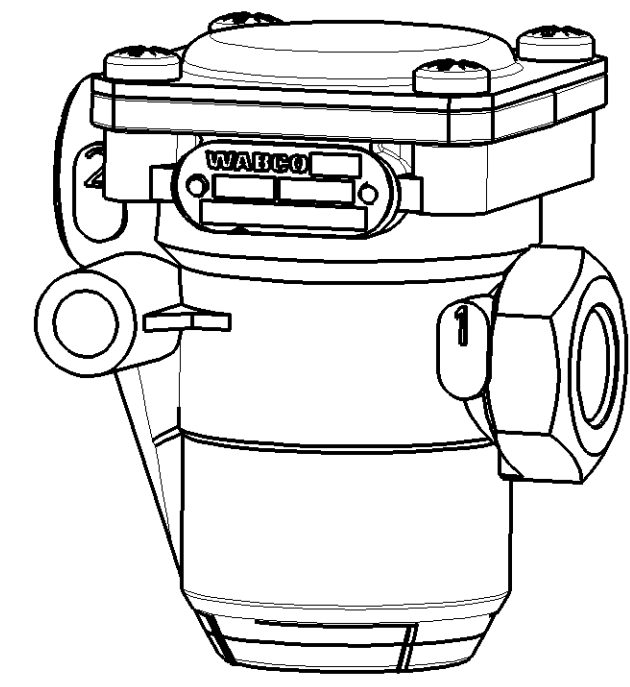
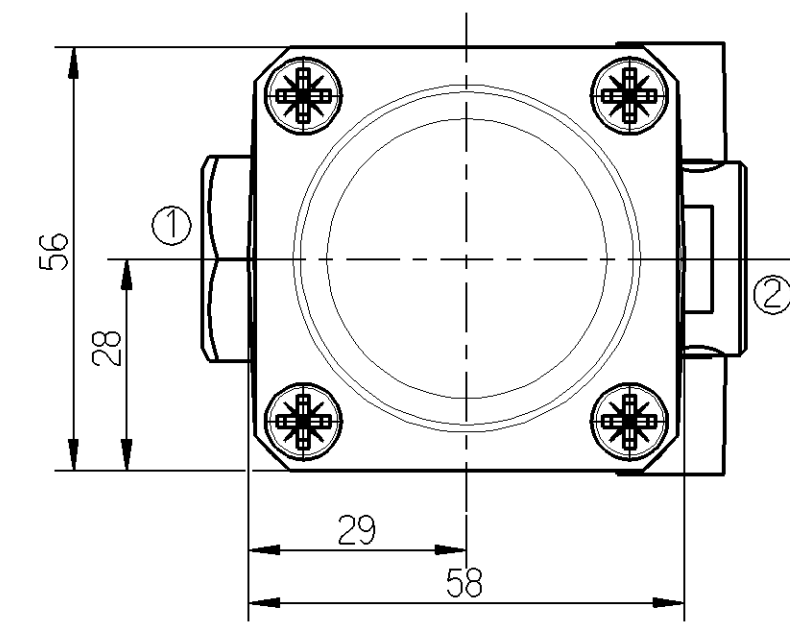
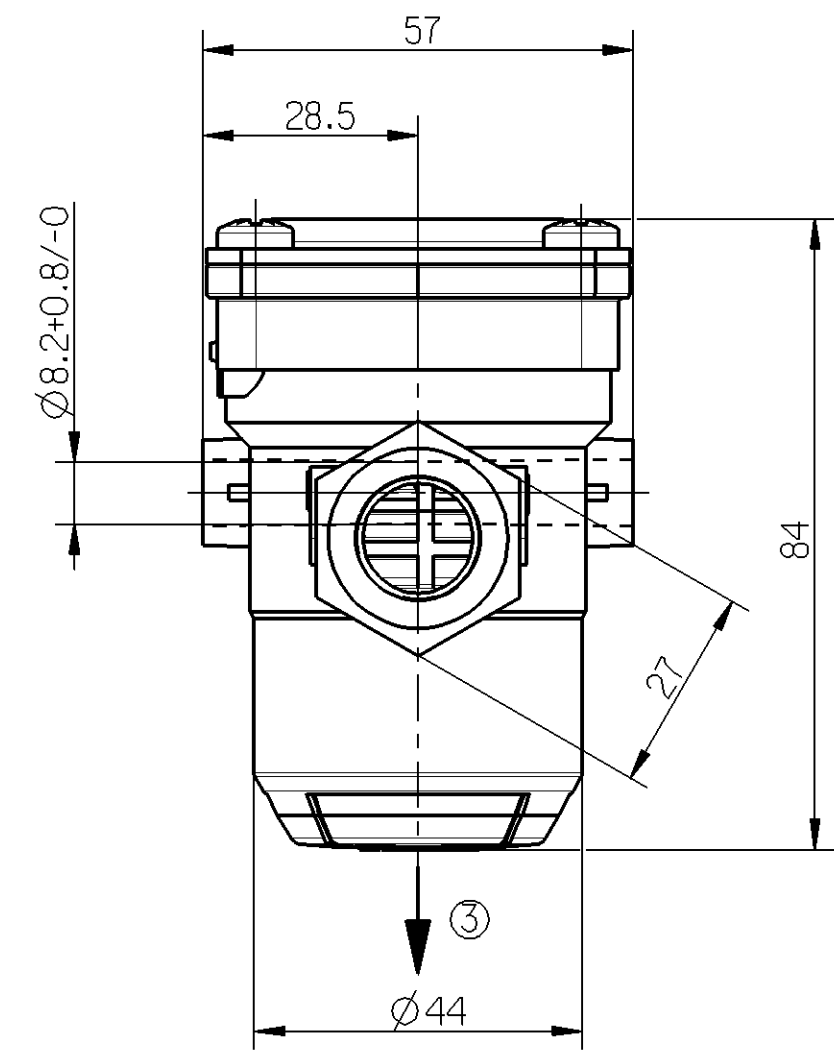
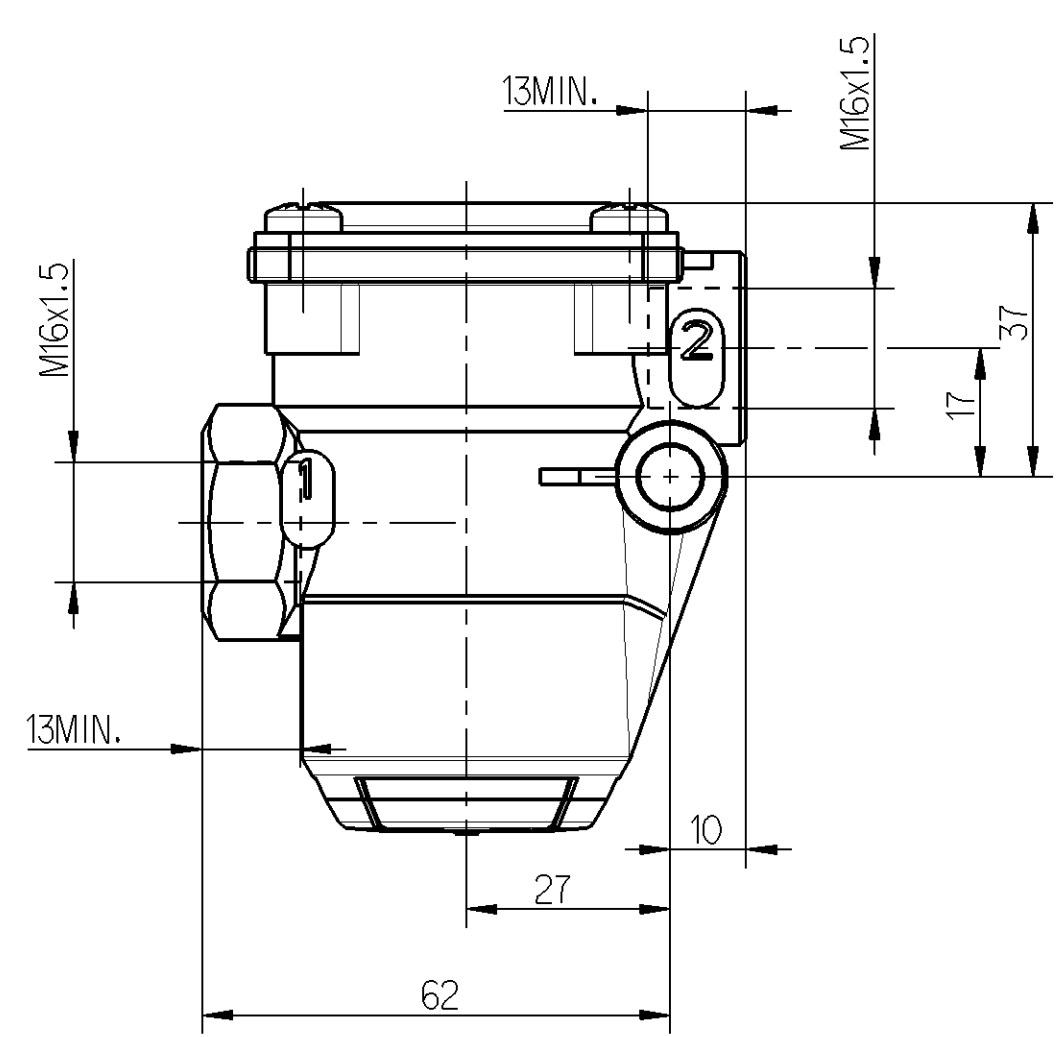


Non è permesso copiare o terzi o riprodurre questo documento, ne utilizzare il contenuto o renderlo comunque noto a terzi senza permesso scritto dalla WABCO. Toute réimpression, copie ou utilisation non autorisée est formellement interdite. E' fatto riserva di tutti i diritti. Behaviors. to prevent or model. if to others and the use or communication of the contents thereof, are forbidden without express permission of the copyright owner. Copying of this document and giving it to others or communicating its contents to others in any form or by any means, without the express written permission of the copyright owner, are prohibited. This document is the subject of copyright.

Toute communication ou reproduction de ce document, toute exploitation ou communication de son contenu sont interdites, sauf autorisation expresse. Tout emprunt ou toute réimpression ou toute utilisation non autorisée est formellement interdite. E' fatto riserva di tutti i diritti. Behaviors. to prevent or model. if to others and the use or communication of the contents thereof, are forbidden without express permission of the copyright owner. Weitergabe sowie Verfertigung dieser Unterlagen, Verwertung und Mitteilung ihres Inhalts nicht autorisiert. Zuwiderhandlungen stellen einen strafrechtlichen Missbrauch dar und verpflichten zu Schadenersatz. Alle Rechte für den Fall der Patentierung oder Gebrauchsmuster-Eintragung vorbehalten.



INLET
VORRAT
ALIMENTATION
ALIMENTAZIONE

P1 MAX = 14 bar

P1 MAX = 10 bar

IF FALLS
SI SE P1 CONSTANT
UNVERÄNDERLICH
CONSTANTE
INVARIABLE

IF FALLS
SI SE P1 VARIABLE
VERÄNDERLICH
VARIABLE
VARIABLE

THERMAL RANGE OF APPLICATION
THERMISCHER ANWENDUNGSBEREICH
GAMME D'APPLICATION THERMIQUE
CAMPO DI APPLICAZIONE TERMICA

-40°C.....+80°C

TORQUE FOR CONNECTIONS
ANZUGSMOMENT FÜR EINSCHRAUBSTUTZEN
COUPLE DE SERRAGE DES RACCORDS
COPPIA DI SERRAGGIO DEI RACCORDI

38.5 Nm MAX

- ① INLET
VORRAT
ALIMENTATION
ALIMENTAZIONE (HIGH PRESSURE)
(HOCHDRUCK)
(HAUTE PRESSION)
(ALTA PRESSIONE)
- ② DELIVERY
AUSGESTEURTE LUFT
UTILISATION
UTILIZZAZIONE (LOW PRESSURE)
(NIEDERDRUCK)
(BASSE PRESSION)
(BASSA PRESSIONE)
- ③ EXHAUST
ENTLUEFTUNG
ECHAPPEMENT
SCARICO

DELIVERY PRESSURE
AUGESTFUERTER
PRESSION D'UTILISATION
PRESSIONE D'UTILIZZAZIONE

P2=9.0+0.1/-0.4 bar FOR
FUER P1=10 bar
POUR PER

OPENING OF SAFETY VALVE
OEFFNUNG DES SICHERHEITSVENTILS
OUVERTURE DE LA SOUPEPE DE SECURITE
APERTURA DELLA VALYOLA DI SICUREZZA

P2+2.5 bar (MAX)

NOMINAL DIAMETER MIN.
MIN. FREIER DURCHGANG
DIAMETRE NOMINAL MIN.
DIAMETRO NOMINALE MIN.

10 mm (78.5 mm²)

MEDIUM
MEDIUM
FLUIDE
FLUIDE

AIR
LUFT
AIR
ARIA

General Specification: JED-334-0		Copyright WABCO®		WABCO	
Further Technical Data:		Date	Signature	Date	
Doc. Code:		2007-11-08	MOLYN	2007-11-20	
Sheet: To		Checked		Expert	
General Tolerances JED-261		MOLYN		Sutor	
Class 1)	Range of Nominal Dimensions (± mm)	Mass	Scale	Material No.	
Fine	≤ 50 > 50 ≤ 180 > 180 > 400 > 400	0.4	1:1	WABCO Id. No.: 4750150680	
Medium	X 1.0 2.0 3.0 4.0	KG	TR1	Doc.Code	Language
Coarse	2.0 3.5 5.0 6.5	Size	TR1	005	en/de
DCN-No. Rev. Date		Tapped Holes acc. JED-152		fr/it	1/1
State of Revision		1) Tolerance Class Applied Crossmarked		Function Code	CAD System
		A 2 530		Prod.Type	Replacement for
				Pro/E	

100mm