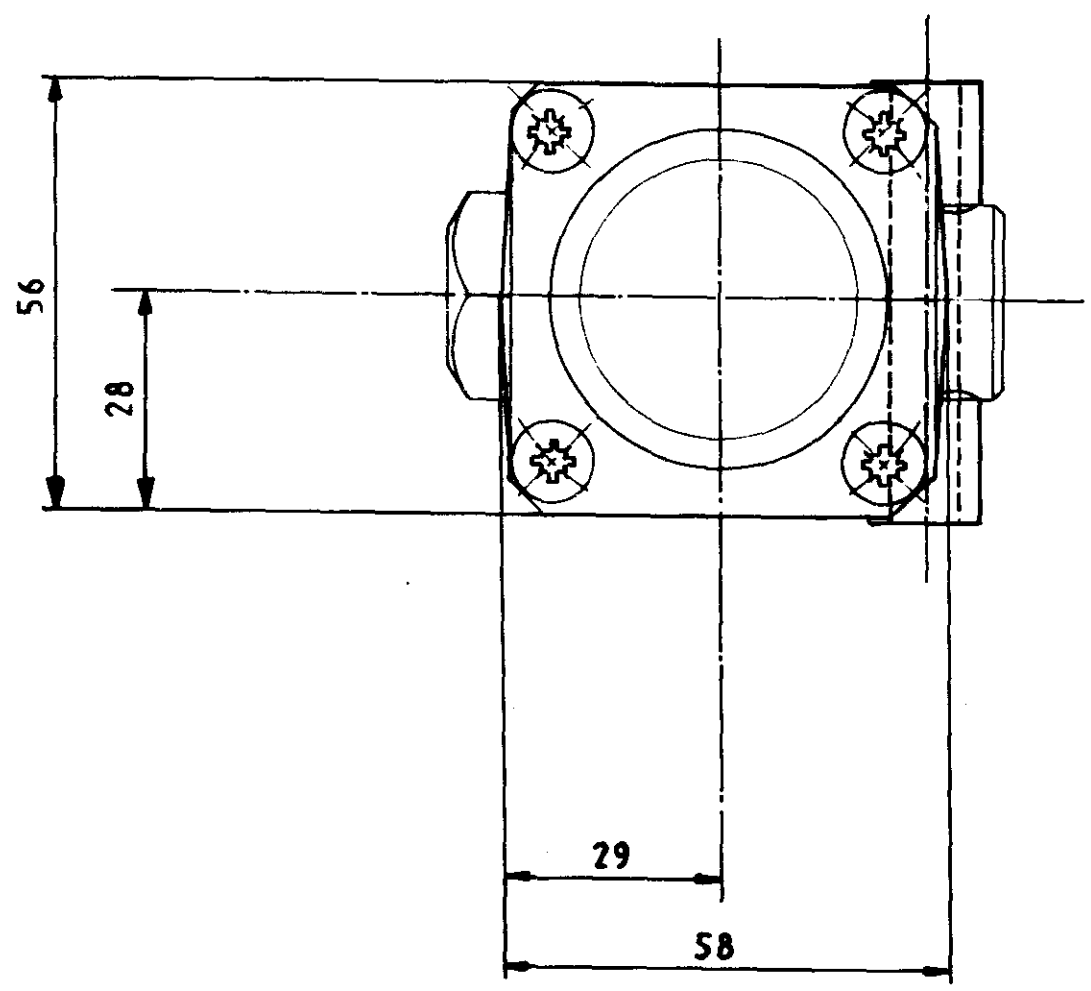
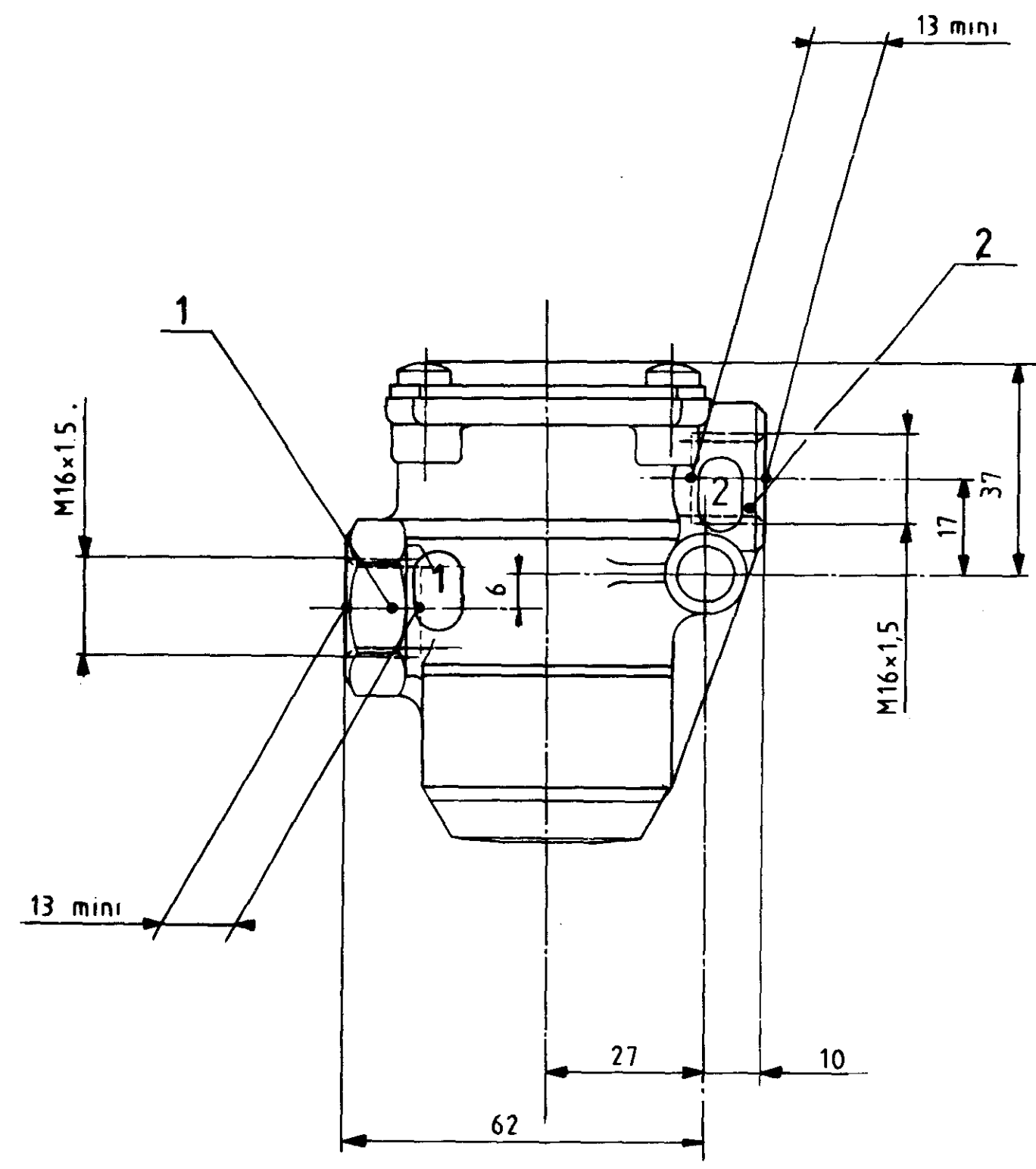
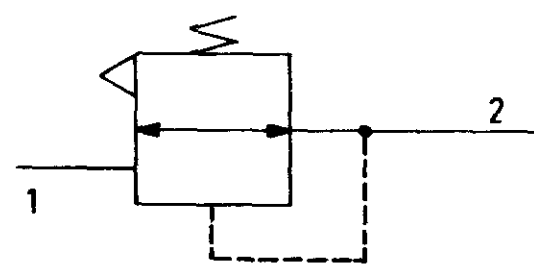


comunque nella o negli atti
comparati e registrati
Copyright of this
drawing is subject of copyright

leads to the
copyright of this
drawing is subject of copyright



SYMBOL
SINNBILD
SYMBOLE
SIMBOLO



THERMAL RANGE OF APPLICATION THERMISCHER ANWENDUNGSBEREICH GAMME D'APPLICATION THERMIQUE CAMPO DI APPLICAZIONE TERMICA		-40°C +80°C
TORQUE FOR CONNECTIONS ANZUGSMOMENT FÜR EINSCHRAUBSTUTZEN COUPLE DE SERRAGE DES RACCORDS COPPIA DI SERRAGGIO DEI RACCORDI		34 Nm MAXI
1	AIR INLET VORRATSLEITUNG ALIMENTATION ALIMENTAZIONE	(HIGH PRESSURE) (HOCHDRUCK) (HAUTE PRESSION) (ALTA PRESSIONE)
2	DELIVERY AUSGESTEUERTE LUFT UTILISATION UTILIZZAZIONE	(LOW PRESSURE) (NIEDERDRUCK) (BASSE PRESSION) (BASSA PRESSIONE)
3	AIR EXHAUST ENTLETFUNG ECHAPPEMENT SCARICO	
DELIVERY PPRESSIONE AUSGESTEUERTER DRUCK PRESSION D'UTILISATION PRESSIONE D'UTILIZZAZIONE		FOR FUER POUR PER $P_2 = 5 \pm 0,2 \text{ bar}$ $P_1 = 8,5 \text{ bar}$
OPENING OF SAFETY VALVE OEFNUNG DES SICHERHEITSVENTILS OUVERTURE DE LA SOUPAPE DE SECURITE APERTURA DELLA VALVOLA DI SECUREZZA		$P_2 + 2,5 \text{ bar (MAXI)}$
NOMINAL DIAMETER MIN. MIN. FREIER DURCHGANG DIAMETRE NOMINAL MIN. DIAMETRO NOMINALE MIN.		10mm (78,5 mm ²)
MEDIUM MEDIUM FLUIDE FLUIDO	AIR LUFT AIR ARIA	
INLET PRESSURE EINGESTEUERTER DRUCK PRESSION D'ALIMENTATION PRESSIONE D'ALIMENTAZIONE		$P_1 \text{ MAXI} = 20 \text{ bar}$ IF SI FALLS P_1 CONSTANT SE INVARIABILE IF SI FALLS P_1 VARIABLE SE VERANDERLICH

FURTHER TECHNICAL DATA SEE	
IDENTIFICATION No	TO
CODE FOR DOCUMENT 605	SHEET
GENERAL TOLERANCES	
CLASS	RANGE OF NOMINAL DIMENSIONS (mm)
I	< 50
II	50 - 180
III	180 - 400
IV	> 400
TAPPED HOLES ACC ISO 4039 / JED-152	
1) TOLERANCE CLASS APPLIED CROSSMARKED	

COPYRIGHT		WABCO	
DATE	SIGNATURE	PRESSURE LIMITING VALVE DRUCKBEGRENZUNGSVENTIL DETENDEUR VALVOLA LIMITATRICE D. PRESS	
21/07/00	CABIRO	PRODUCT IDENTIFICATION NO.	
21/07/00	CABIRO	475 015 503 0	
21/07/00	00 272	CODE FOR DOCUMENT	SHEET
MASS	SCALE	605	1/1
0,4 kg	1:1	REPLACEMENT FOR	
SIZE	TR1	REPLACEMENT FOR	
A 2	210	REPLACEMENT FOR	

100 mm