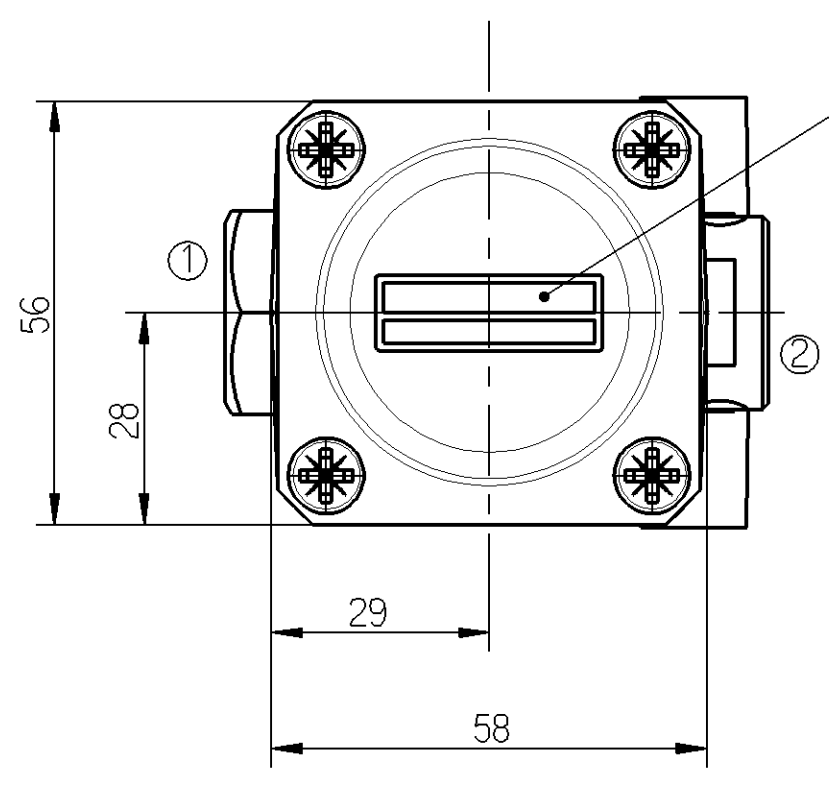
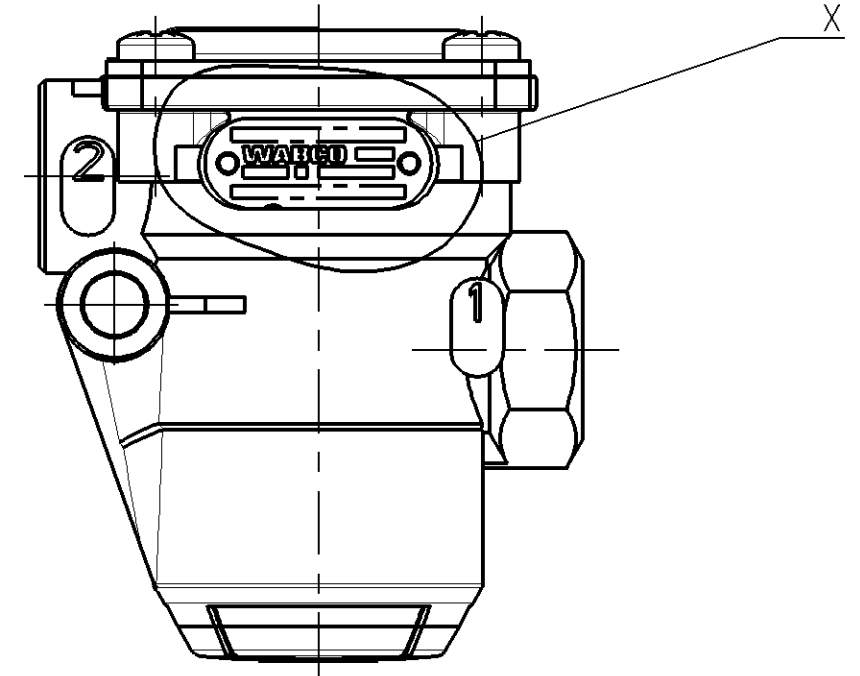
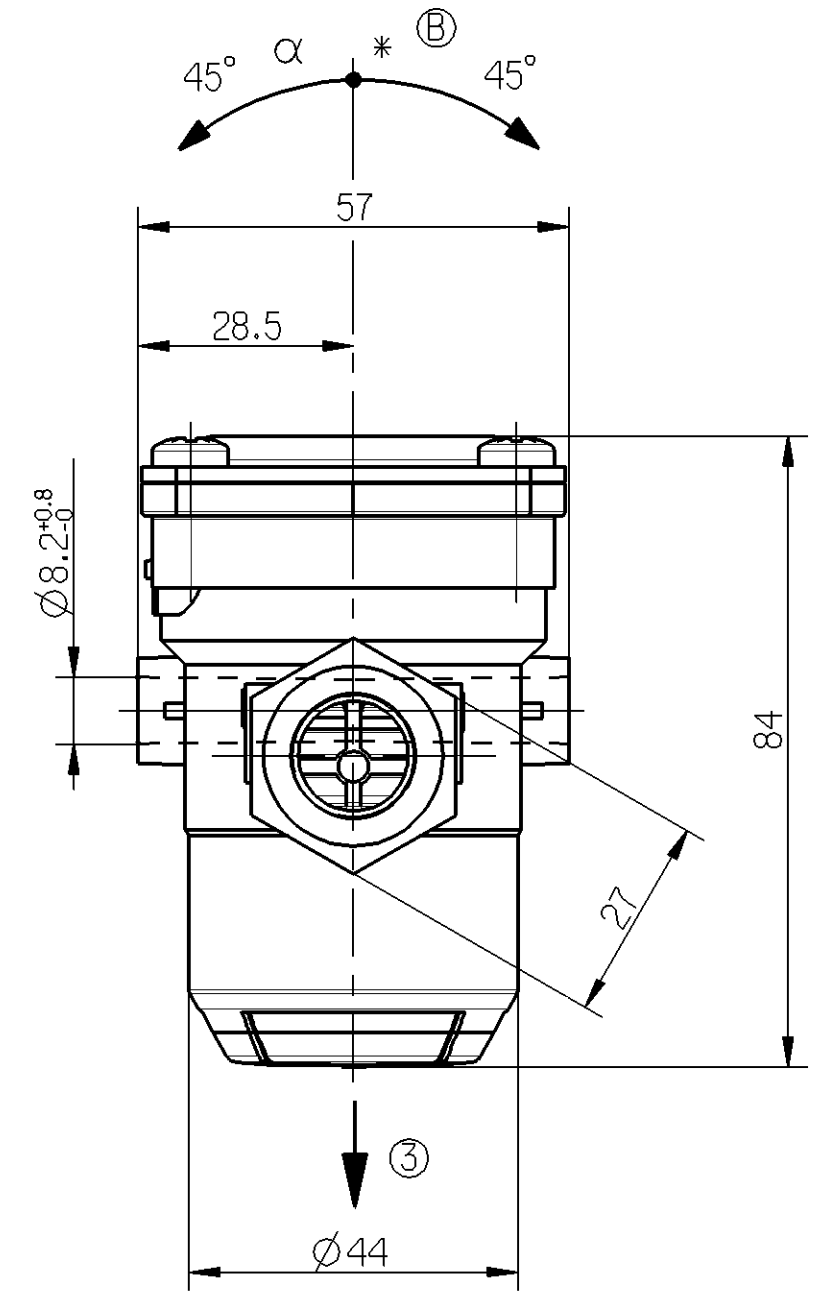
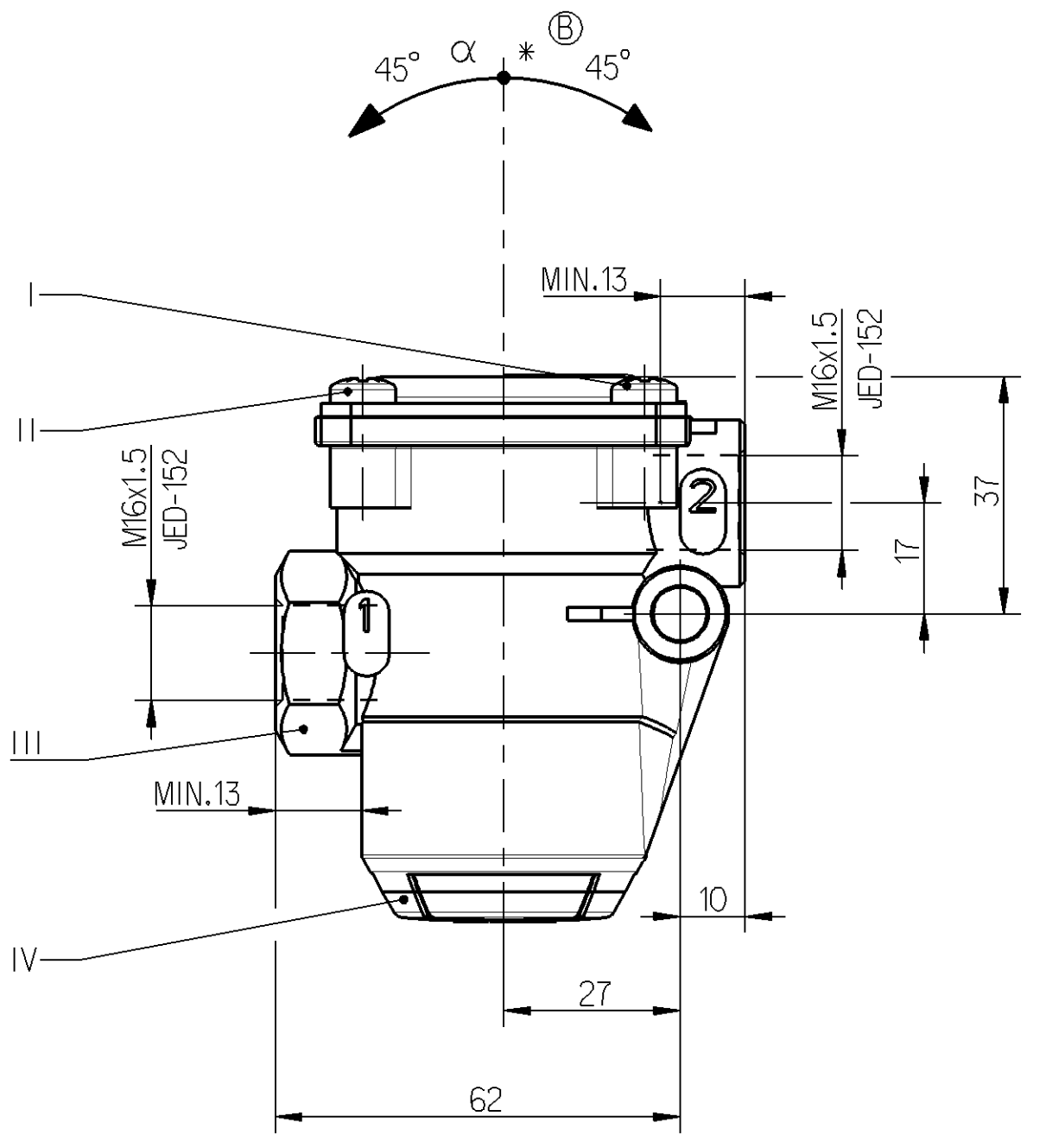


	MATERIAL	SURFACE PROTECTION <2>
	MATIERE	PROTECTION DE SURFACE
I	JED-021M1	JED-256-4 [3]
II	JED-051M1	JED-256-1 ⑥
III	JED-029M1	JED-259-0 ⑥
IV	JED-005M	

SURFACE PROTECTION ACCORDING VOLVO STD 423-0010 480 NSS ON THE STEEL MATERIAL [3]

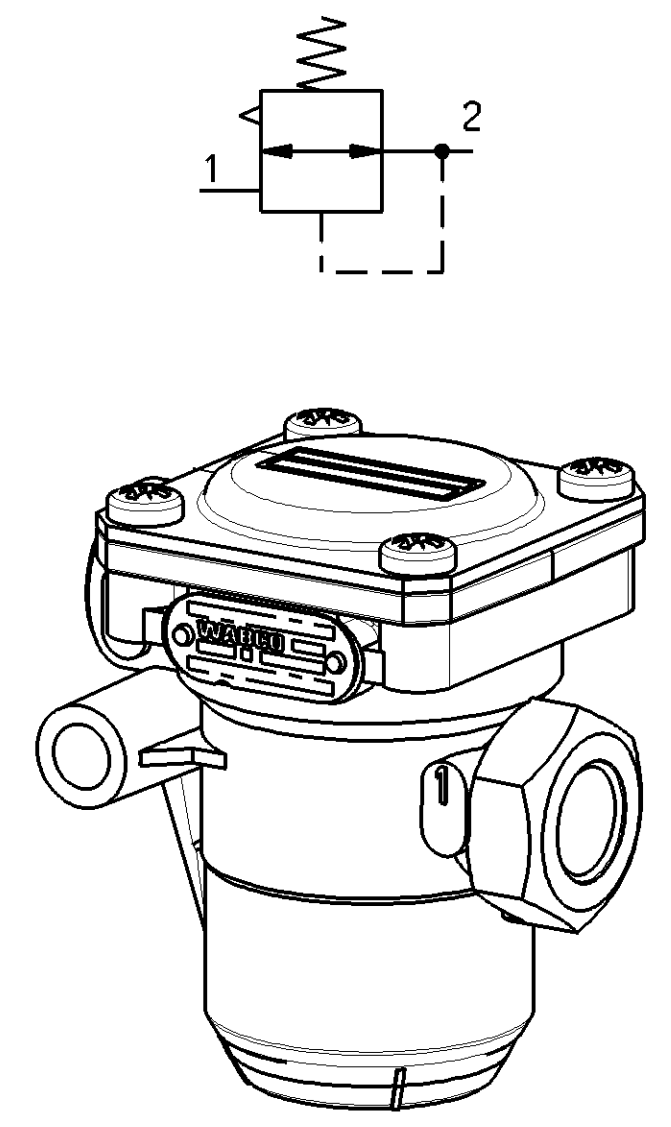


BAR CODE LABEL
BAR CODE IDENTIFICATION ACCORDING VOLVO STD 103-0013

PRODUCTION RESPONSIBILITY
RESPONSABILITE DE PRODUCTION
JED-225

DATE OF MANUFACTURE OF DEVICE
HERSTELLDATUM DES GERÄTES
DATE DE FABRICATION DE L'APPAREIL JED-226
DATA DI FABRICAZIONE DELL'APPARECCHIO

DEVICE NUMBER
GERÄTE NUMMER
NUMERO DE L'APPAREIL
NUMERO DELL'APPARECCHIO



THERMAL RANGE OF APPLICATION
THERMISCHER ANWENDUNGSBEREICH
GAMME D'APPLICATION THERMIQUE
CAMPO DI APPLICAZIONE TERMICA

-40°C....+80°C
MAX. TEMP. 100°C
⑥ ADMISSIBLE DURING LIMITED PERIOD OF TIME 20 h

TORQUE FOR CONNECTIONS
ANZUGSMOMENT FÜR EINSCHRAUBSTUTZEN
COUPLE DE SERRAGE DES RACCORDS
COPPIA DI SERRAGGIO DEI RACCORDI

48 Nm max

- ① INLET
VORRAT
ALIMENTATION
ALIMENTAZIONE (HIGH PRESSURE)
(HOCHDRUCK)
(HAUTE PRESSION)
(ALTA PRESSIONE)
- ② DELIVERY
AUSGESTEUERTE LUFT
UTILISATION
UTILIZZAZIONE (LOW PRESSURE)
(NIEDERDRUCK)
(BASSE PRESSION)
(BASSA PRESSIONE)
- ③ EXHAUST
ENTLUEFTUNG
ECHAPPEMENT
SCARICO

NOMINAL DIAMETER MIN.
MIN. FREIER DURCHGANG
DIAMETRE NOMINAL MIN.
DIAMETRO NOMINALE MIN.

10 mm (78.5 mm²)

MEDIUM
MEDIUM
FLUIDE
FLUIDE

AIR
LUFT
AIR
ARIA

3 < >

SAFETY CHARACTERISTIC, SIGNIFICANT CHARACTERISTIC
SICHERHEITSMERKMAL, WESENTLICHES MERKMAL
CARACTERISTIQUE DE SECURITE, CARACTERISTIQUE SIGNIFICANTE
CARATTERISTICA DI SICUREZZA, CARATTERISTICA SIGNIFICATIVA

INSTALLATION RESTRICTIONS:
EINBAUBESCHRÄNKUNGEN:
RESTRICTIONS D'INSTALLATION:
LIMITAZIONI DI MONTAGGIO:

α max. ±45° ⑥

Non è permesso copiare o riprodurre questo documento, né utilizzare il contenuto o i contenuti contenuti in esso, senza permesso scritto dalla WABCO. Toute réimpression ou reproduction de ce document, toute exploitation ou communication de son contenu sans l'autorisation écrite de la WABCO est formellement interdite. Kopieren dieses Dokuments ist ohne schriftliche Genehmigung der WABCO. This document is the property of WABCO. All rights reserved. No part of this document may be reproduced, stored in a retrieval system, or transmitted in any form or by any means, electronic, mechanical, photocopying, recording, or by any information storage and retrieval system, without the prior written permission of WABCO.

475 015 076 0	21339187	P2 + 2.5 bar	P2=5.0+/-0.2 bar	P1=10 bar
475 015 075 0	21339185	P2 + 2.5 bar	P2=5.6+0/-0.4 bar	P1=10 bar
475 015 074 0	21339183	P2 + 2.5 bar	P2=5.9 0/-0.4 bar	P1=10 bar
475 015 073 0	21339181	P2 + 2.5 bar	P2=7.5+0.4/0 bar	P1=10 bar
475 015 072 0	21339179	P2 + 2.5 bar	P2=8.5 0/-0.4 bar	P1=11 bar
475 015 071 0	21339177	P2 + 2.5 bar	P2=10+/-0.2 bar	P1=11 bar
475 015 026 0	21076527	P2 + 2.5 bar	P2=2.5+/-0.2 bar	P1=8 bar
WABCO No	CUSTOMER'S NUMBER	Opening pressure	p2 pressure [bar]	p1 pressure [bar]

INLET
VORRAT
ALIMENTATION
ALIMENTAZIONE

P1 MAX = 15 bar

P1 MAX = 12.5 bar

IF FALLS
SI
SE

P1

CONSTANT
UNVERÄNDERLICH
CONSTANTE
INVARIABILE

IF FALLS
SI
SE

P1

VARIABLE
VERÄNDERLICH
VARIABLE
VARIABLE

CRITICAL CHARACTERISTIC ACCORDING VOLVO STD 105-0001 & AC525080

General Specifications: JED-334-0		Copyright WABCO®	
Further Technical Data:		Date	Signature
Doc. Code:	Sheet: To:	2009-06-23	Kryla
General Tolerances JED-261		Checked	Molyn
Range of Nominal Dimensions (± mm)		Expert	File
Class	1) ≤ 50 > 50 > 180 > 400		
Fine	0.5 1.0 1.5 2.0		
Medium	X 1.0 2.0 3.0 4.0 ±3%		
Coarse	2.0 3.5 5.0 6.5		
Tapped Holes acc. JED-152			
1) Tolerance Class Applied Crossmarked			
Material No.	475 015 600 0	Date of first issue:	2009-06-26
Doc. Code	Language	Doc. Code	Language
053	ML	053	ML
Revision		Tech. Resp.	
7 B		5160	
Replacement for			

inv. 475015_026_003 / Version 4.2 / Status Approved / 475-78509000..._A02