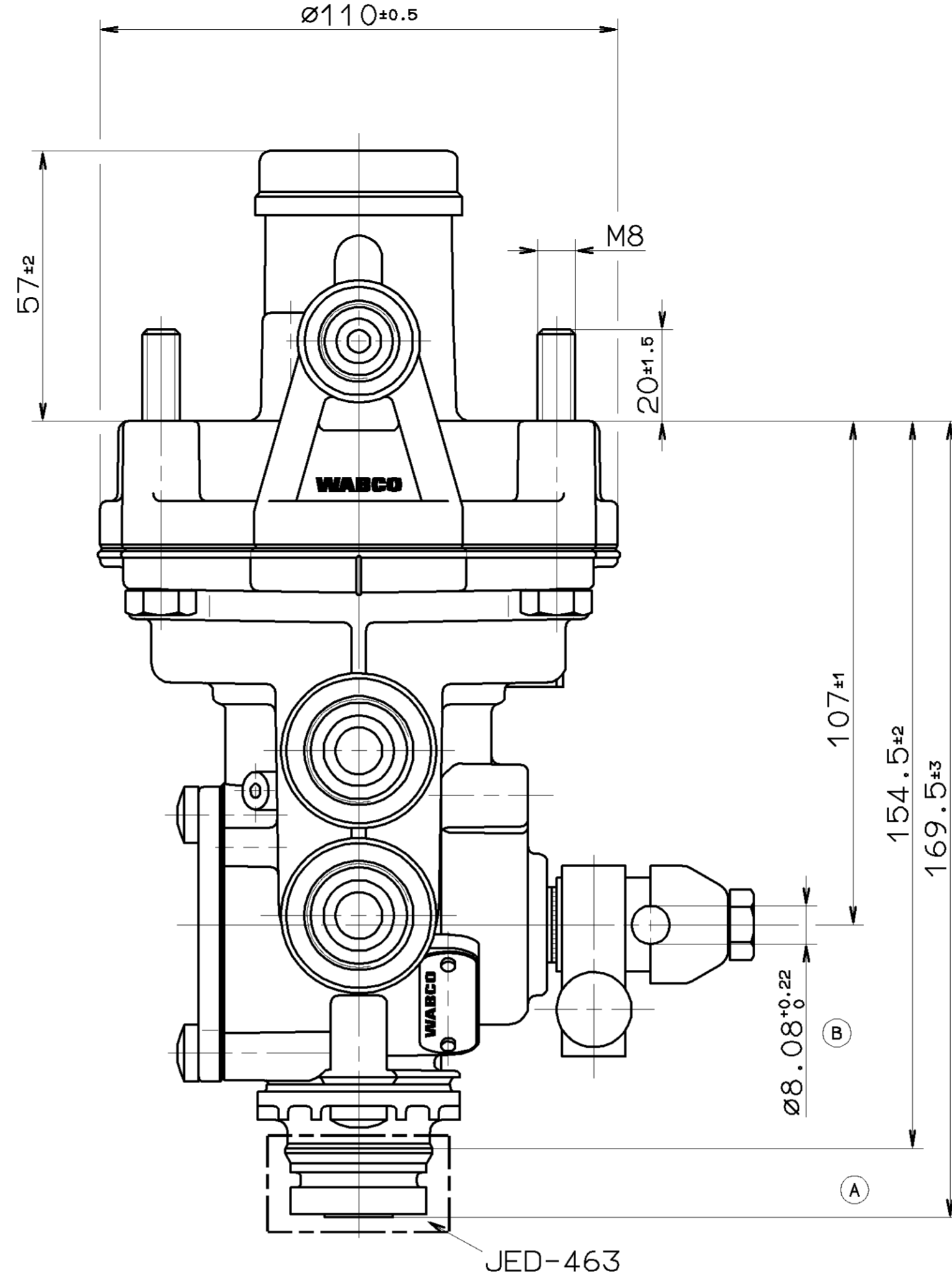
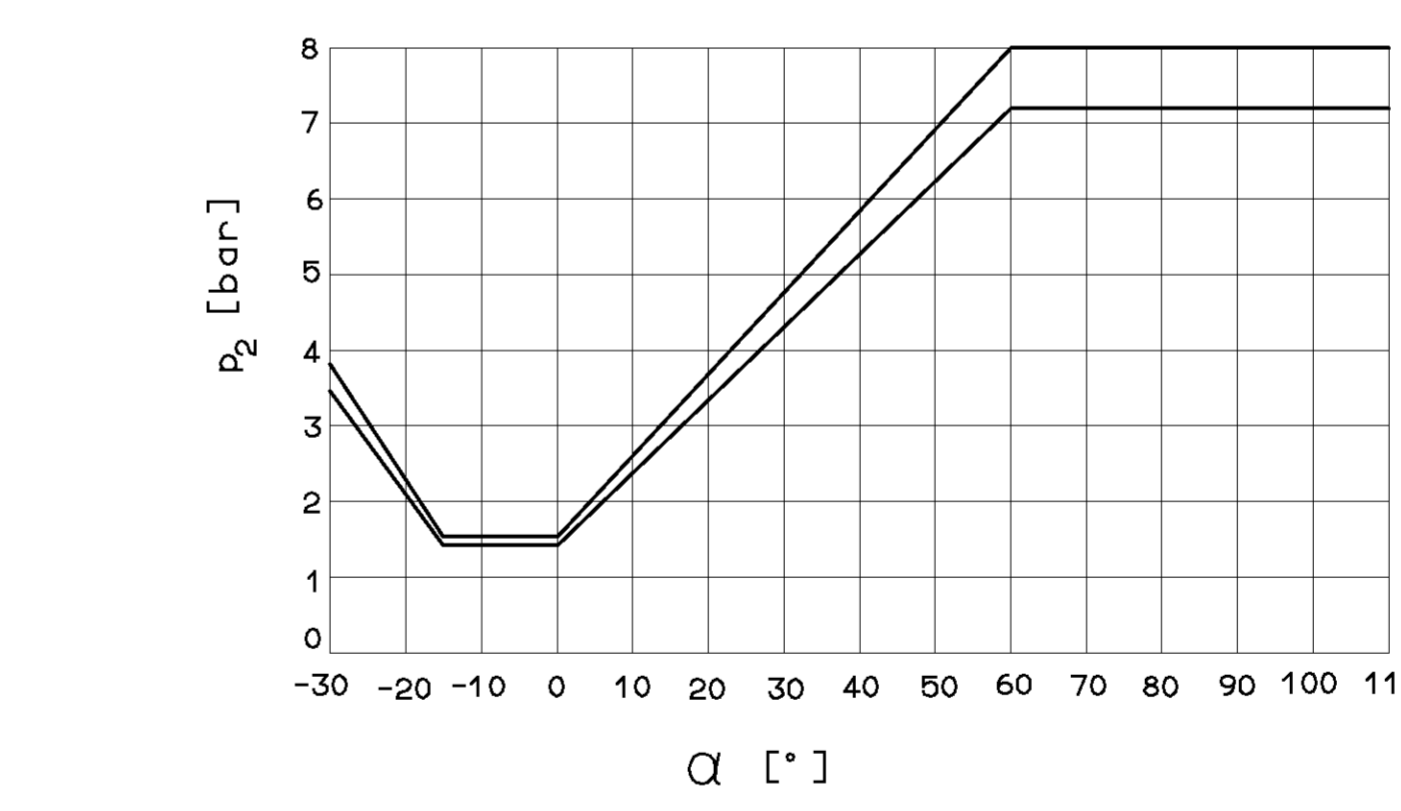
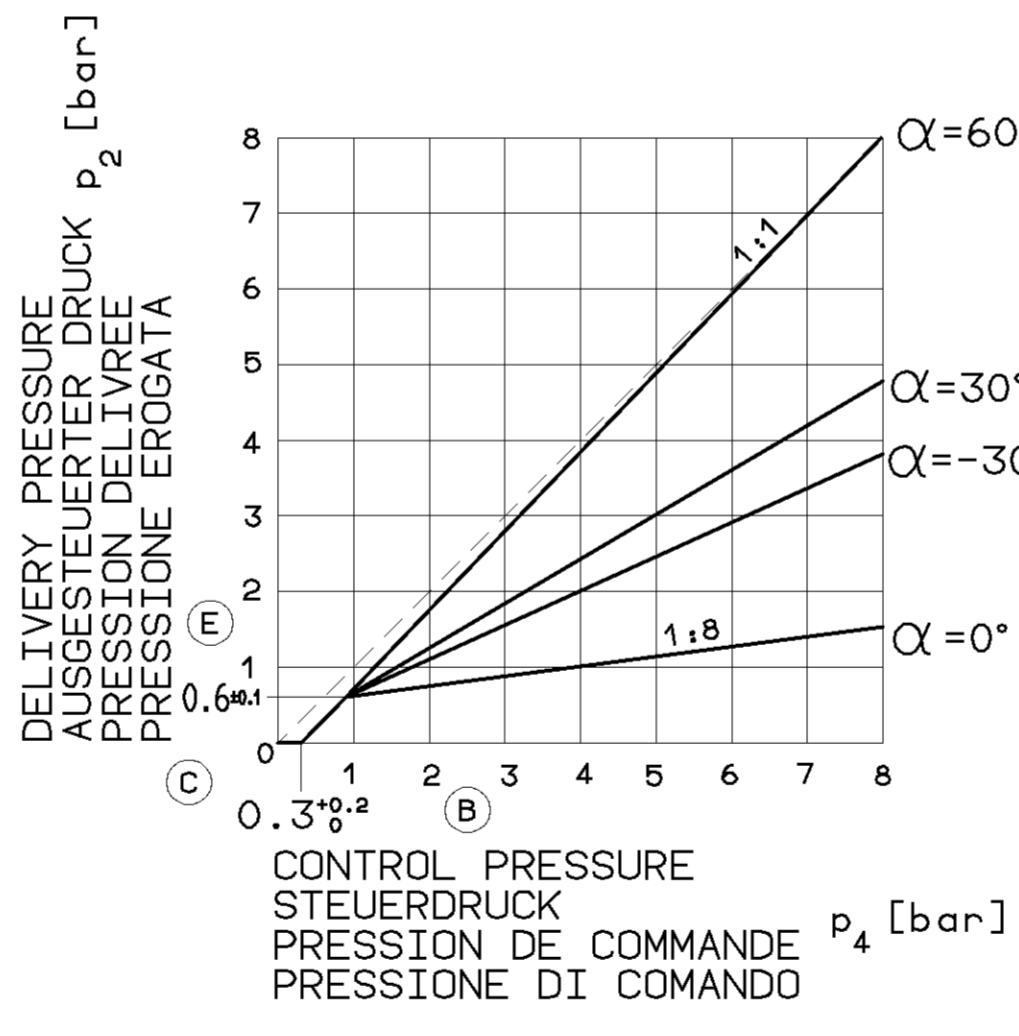


NOTE: FURTHER TECHNICAL DATA ON REQUEST. ALL DIMENSIONS ARE IN MILLIMETERS. DIMENSIONS OF THE DRAWING ARE SUBJECT TO CHANGE WITHOUT NOTICE. THE USER ASSUMES ALL RESPONSIBILITIES REGARDING THE USE OF THIS PRODUCT. THE USER ASSUMES ALL RESPONSIBILITIES REGARDING THE USE OF THIS PRODUCT. THE USER ASSUMES ALL RESPONSIBILITIES REGARDING THE USE OF THIS PRODUCT.



THERMAL RANGE OF APPLICATION:
 THERMISCHER ANWENDUNGSBEREICH: -40° ... +80° C
 GAMME D'APPLICATION THERMIQUE:
 CAMPO DI APPLICAZIONE TERMICA:

MEDIUM: AIR
 MEDIUM: LUFT
 FLUIDE: AIR
 FLUIDO: ARIA

WORKING PRESSURE:
 BETRIEBSDRUCK:
 PRESSION DE SERVICE: *
 PRESSIONE D'ESERCIZIO:

1 SUPPLY *MAX. p_e 13bar (B)
 VORRAT
 ALIMENTATION
 ALIMENTAZIONE

2 DELIVERY PRESSURE
 AUSGESTEUERTER DRUCK
 PRESSION DELIVREE
 PRESSIONE EROGATA

3 EXHAUST
 ENTLUEFTUNG
 ECHAPPEMENT
 SCARICO

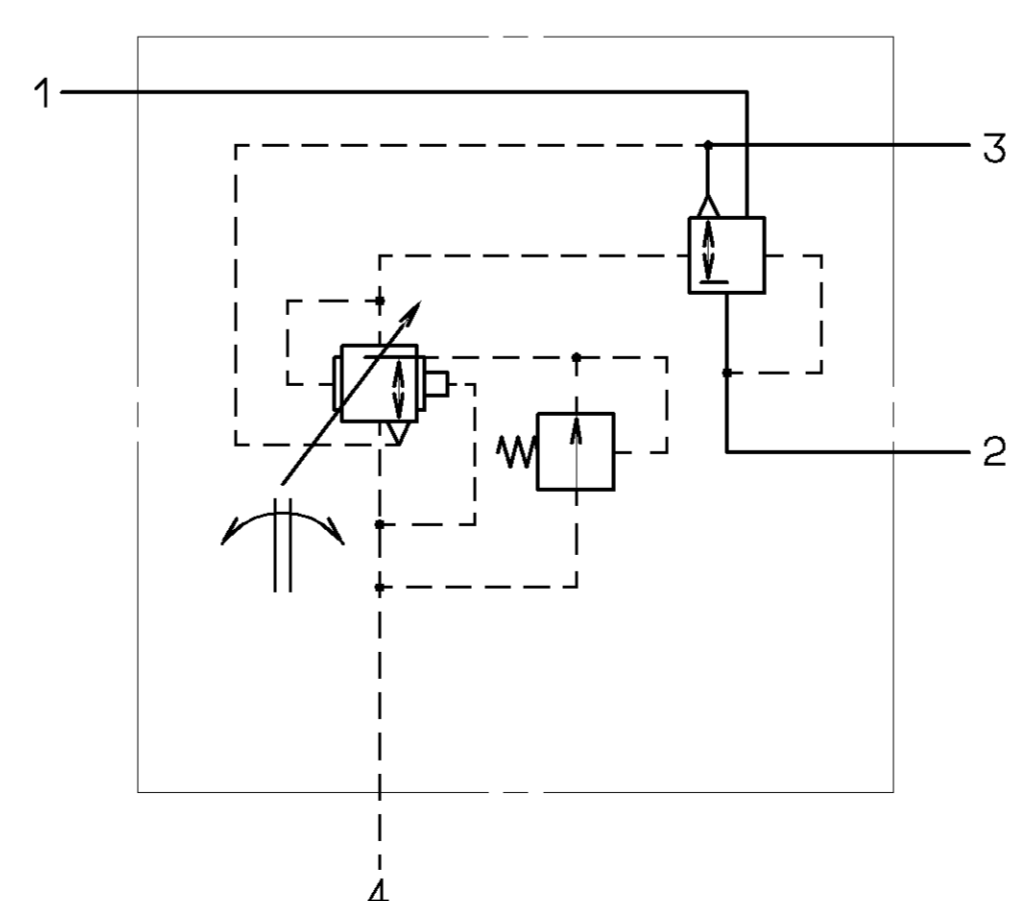
4 CONTROL PRESSURE *MAX. p_e 10bar (B) (TEMPORARY)
 STEUERDRUCK (KURZZEITIG)
 PRESSION DE COMMANDE (DE COURTE DUREE MAX. p_e 13bar)
 PRESSIONE DI COMANDO (BREVE TEMPO SOLO)

INSTALLATION POSITION AS DRAWN
 EINBAULAGE WIE GEZEICHNET
 POSITION D'INSTALLATION SUIVANT DESSIN
 POSIZIONE DI MONTAGGIO COME DISEGNATO

NECESSARY DISPLACING MOMENT:
 ERFORDETLICHES VERSTELLMOMENT: 1.4 Nm ($p_4=7.5bar$)
 COUPLE NECESSAIRE AU MOVEMENT:
 COPPIA DI REGOLAZIONE NECESSARIA:

ADMISSIBLE DISPLACING MOMENT:
 ZULAESSIGES VERSTELLMOMENT: 20 Nm
 ADMISSIBLE MAXI AU MOVEMENT:
 COPPIA DI REGOLAZIONE AMMESSA: (B)

TORQUE FOR CONNECTIONS:
 ANZUGSMOMENT FUER EINSCHRAUBSTUTZEN: M16x1.5: $M_{max.} = 34$ Nm
 COUPLE DE SERRAGE DES RACCORDS: M22x1.5: $M_{max.} = 53$ Nm
 COPPIA DI SERRAGGIO DEI RACCORDI:



GENERAL SPECIFICATION: JED-384			DATE: 96-08-14		SIGNATURE: HAUKE	DRAWN: FAUCK	CHECKED: KIEL	THIELE	WABCO		AUTOM. LOAD-SENSING VALVE	
FURTHER TECHNICAL DATA:			DATE: 95-10-25						AUTOM. BREMSKRAFTREGLER		CORRECTEUR DE FREINAGE AUTOM.	
DOC. CODE: SHEET: TO:		GENERAL TOLERANCES (± mm)		061434	1 × E	96-08-14	PRODUCT IDENTIFICATION NO.:		475 710 012 0			
CLASS 1)		RANGE OF NOMINAL DIMENSIONS		058168	1 × D	95-10-25	DOC. CODE: SHEET:		605 1/1			
FINE		0.5 - 50		057044	1 × C	95-02-07	SIZE: T.R.T.:		A 1 140			
MEDIUM		1.0 - 2.0		053565	10 × B	93-11-10	SHAPE CODE:		REPLACEMENT FOR:			
COARSE		2.0 - 3.5		047370	3 × A	91-01-28	STANDARDIZATION:		EXPLOIT CODE: 7142			
TAPPED HOLES ACC. TO ISO 4013-2-2012		M22x1.5		JED-388		DATE:		PRODUCT TYPE: 000				
1) TOLERANCE CLASS APPLIED CROSSMARKED				DIN-NO.:		REV.:		DATE:				